



Windows

Generic Plus PCL6 Printer Driver

Installation Guide

Contents

Introduction	2
How to Use the Manual	3
Notations Used in the Manual	4
Disclaimers	5
Copyright	6
Trademarks	7
About This Driver	9
Before Use	12
Pre-installation Check	14
System Requirements	15
Notes and Warnings Regarding Installation	17
About the Readme File	18
Installing the Driver	20
Installing by Discovering Devices on a Network	21
Installing by Specifying a Port or IP Address	26
Installing Using a USB Connection	31
Installing by Specifying an inf File	35
Installing Using a WSD Port	37
Installing a Shortcut to the Online Manual	38
Changing Settings to Match the Usage Environment	40
Using a Shared Printer	41
Installing as a Print Server	42
Setting up Clients of a Shared Printer	44
Changing the Port	46
Making the Device Functions Usable	51
Setting Device Information	52
Device Functions Settings	57
Paper Sources and Output Destinations Settings	58
Importing a Configuration Profile	67
Updating/Uninstalling the Driver	71
Updating the Driver	72
Uninstalling the Driver	74
Uninstalling the Shortcut to the Online Manual	76

Printing 78

- Printing from a Computer 79
- How to Refer to the Help 82

Troubleshooting 84

- Cannot discover a device connected via a WSD port 85

Introduction

Introduction	2
How to Use the Manual	3
Notations Used in the Manual	4
Disclaimers	5
Copyright	6
Trademarks	7

Introduction

- ▶ **How to Use the Manual(P. 3)**
- ▶ **Disclaimers(P. 5)**
- ▶ **Copyright(P. 6)**
- ▶ **Trademarks(P. 7)**

How to Use the Manual

This explains things that you need to know in order to use this manual.

▶ **Notations Used in the Manual(P. 4)**

Notations Used in the Manual

This explains symbols and settings used in this manual.

Symbols Used in This Manual

In this manual, explanations of items and operations that must be followed while using the driver are set forth the symbols that indicate the following.



IMPORTANT

- Indicates operational requirements and restrictions. Be sure to read these items carefully to operate the product correctly, and avoid damage to the product.



NOTE

- Indicates a clarification of an operation, or contains additional explanations for a procedure. Reading these notes is highly recommended.

About Settings

In this manual, setting names displayed on the computer screen are represented as shown in the following examples.

Example:

[Print]

[OK]

Disclaimers

The information in this document is subject to change without notice.

CANON INC. MAKES NO WARRANTY OF ANY KIND WITH REGARD TO THIS MATERIAL, EITHER EXPRESS OR IMPLIED, EXCEPT AS PROVIDED HEREIN, INCLUDING WITHOUT LIMITATION, THEREOF, WARRANTIES AS TO MARKETABILITY, MERCHANTABILITY, FITNESS FOR A PARTICULAR PURPOSE OF USE OR NON-INFRINGEMENT. CANON INC. SHALL NOT BE LIABLE FOR ANY DIRECT, INCIDENTAL, OR CONSEQUENTIAL DAMAGES OF ANY NATURE, OR LOSSES OR EXPENSES RESULTING FROM THE USE OF THIS MATERIAL.

Copyright

Copyright CANON INC. 2018

No part of this publication may be reproduced, transmitted, transcribed, stored in a retrieval system, or translated into any language or computer language in any form or by any means, electronic, mechanical, magnetic, optical, chemical, manual, or otherwise, without the prior written permission of Canon Inc.

Trademarks

Microsoft and Windows are either registered trademarks or trademarks of Microsoft Corporation in the United States and/or other countries.

macOS is a trademark of Apple Inc.

Other product and company names herein may be the trademarks of their respective owners.

About This Driver

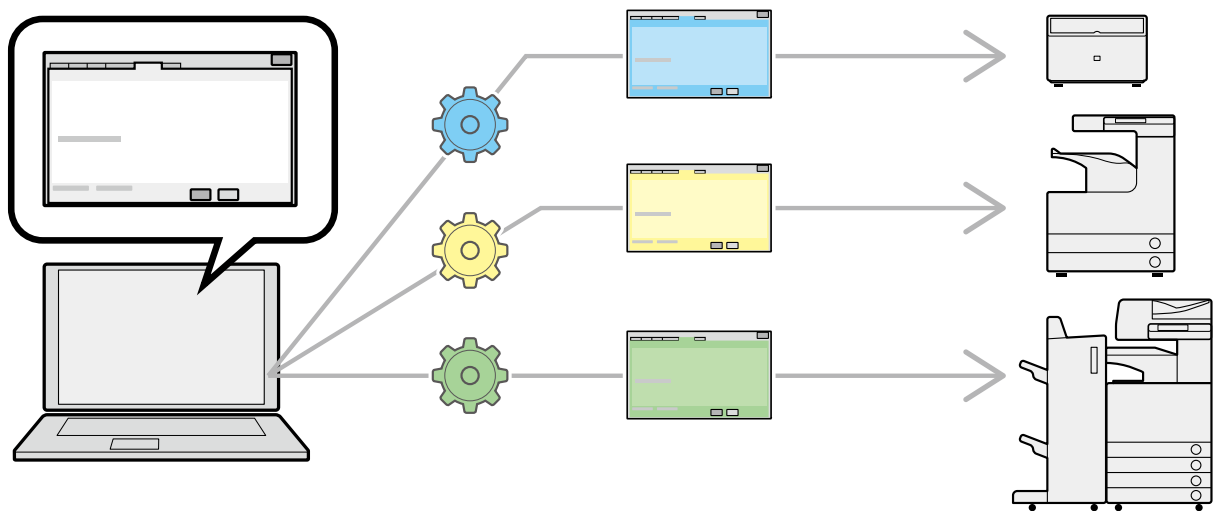
About This Driver 9

About This Driver

This is a generic printer driver that supports various devices. You can use the same driver for all printer models by changing the settings for the printing port and device information.

Features

- Information regarding the functions and options of the device are collectively defined in a "configuration profile." By switching "configuration profiles," you can switch the driver settings screen to match the functions of the device.
- You do not need to reinstall the driver when you add or replace a device.



Utilizing Configuration Profiles

Configuration profiles corresponding to each printer model have been prepared beforehand. You can customize and use a configuration profile corresponding to your printer operation management.

By applying a configuration profile to the driver, the settings in the [Device Settings] sheet can be changed and the functions specific to the device can be set. You can also export and save the function and option settings for the device in the [Device Settings] sheet as a configuration profile.

Examples of How to Utilize Configuration Profiles

- **Making a driver settings screen for the printer model you are using**

When you can acquire the printer model information from the device, a configuration profile is applied automatically and the settings screen changes to match the device. When you cannot acquire the information, apply a configuration profile manually.

- **Efficiently configuring driver settings for multiple computers**

You can export and save the device function and options settings of the [Device Settings] sheet as a configuration profile. The device information of drivers used in other computers can be easily batch set by importing the exported configuration profile.

If you cannot acquire the device information, you can apply it by importing a configuration profile exported in an environment where the information could be acquired.

Related Topics

- [Setting Device Information\(P. 52\)](#)

▶ **Importing a Configuration Profile(P. 67)**

Before Use

Before Use 12

Before Use

- The newest driver software is posted on the Canon web site. Please verify the operating environment etc. and download the appropriate software as required.
Canon Global Site: <http://www.canon.com/>
- The functions that you can use may vary according to the following conditions.
 - The device you are using and its settings
 - The firmware version of the device
 - The option structure
 - The driver version
 - The computer environment you are using
- When printing from a Windows Store app, because you cannot display the print settings screen of the driver, the number of functions you can set is limited.
- The screen content, procedures, etc. displayed and described in the manual may differ from those actually displayed.
- In this manual, examples using Windows 10 are explained.

Pre-installation Check

Pre-installation Check	14
System Requirements	15
Notes and Warnings Regarding Installation	17
About the Readme File	18

Pre-installation Check

This explains what to confirm beforehand in order to install the driver correctly.

- ▶ **System Requirements(P. 15)**
- ▶ **Notes and Warnings Regarding Installation(P. 17)**
- ▶ **About the Readme File(P. 18)**

System Requirements

This driver can be used with the following systems and environments.

Operating Systems

Windows 7/8.1/10

Windows Server 2008/2008 R2/2012/2012 R2/2016

For server-based computing environments:

Operating systems in a server environment:

Windows Server 2008/2008 R2/2012/2012 R2/2016

Server components:

Citrix Presentation Server 4.5

Citrix XenApp 5.0/6.0/6.5/7.5/7.6/7.7/7.8/7.9/7.11/7.12

Citrix XenDesktop 4.0/5.0/5.5/5.6/7.0/7.1/7.5/7.6/7.7/7.8/7.9/7.11/7.12

VMware vSphere 4/5/5.1/5.5/6.0

Microsoft Application Virtualization (App-V)

Remote Desktop Service on Windows Server 2012 R2

TS-RemoteApp on Windows Server 2008

Operating systems for a clustering server:

Windows Server 2008/2008 R2 (Enterprise/Datacenter Edition)

Windows Server 2012/2012 R2

Windows Server 2016

Computer

A computer that runs any of the above operating system software properly.



- For the support status of the newest operating systems and service packs, check the Canon web site (<http://www.canon.com/>).

Combinations of Driver and Operating System Display Languages

Depending on the combination of supported driver languages and the display language of the operating system, correct operation may not be guaranteed. It is recommended that you install with the language selected by default when the installer starts.

Supported Driver Languages

English / Arabic / Basque / Catalan / Chinese (Simplified) / Chinese (Traditional) / Czech / Danish / Dutch / Finnish / French / German / Hungarian / Italian / Korean / Malay / Norwegian / Polish / Portuguese / Russian / Slovak / Spanish / Swedish / Thai / Turkish / Vietnamese

Scope of Guaranteed Operation

	Language of operating system included in supported driver languages	Language of operating system not included in supported driver languages
Installed with language matching the operating system	Guaranteed	--
Installed with language not matching the operating system	Guaranteed* ¹	Not guaranteed* ²
Changed to language not matching the operating system after installation	Guaranteed* ¹	Not guaranteed* ²

*1 The layout may be broken or the driver may not be displayed correctly.

*2 Operation is only guaranteed when installed with English. However, the layout may be broken or the driver may not be displayed correctly.

Services Required for the Acquire Device Information Function

If you want to use the acquire device information function, you need the following services and environments.

Operating System Services

You can use the acquire device information function only when all the following services are installed in the operating system and not set to [Disabled].

- Remote Procedure (RPC)
- TCP/IP NetBIOS Helper Service
- Workstation

Protocols

UDP or TCP (IPv4 or IPv6)

Supported Device Connection Configurations

When connected to a network: TCP/IP or IPX

When connected locally (32-bit): USB

Notes and Warnings Regarding Installation

Take care of the following items when installing.

- If a screen requiring you to allow changes to the computer is displayed, allow the changes.
- If a Windows Security screen indicating that the publisher of the driver cannot be verified is displayed, allow installation.
- When acquiring driver information using the Canon Driver Information Assist Service, if a warning regarding removing Windows Firewall blocking is displayed, remove the block.
- If you use the installer to install a driver, you can update existing drivers at the same time that you install the new driver.

About the Readme File

Restrictions and precautions regarding installing drivers or using drivers are included in the Readme file.

The Readme file is stored under the following name within the package folder of the driver.

Readme_en-US.hta

Also, if you are installing using the installer, you can refer to the Readme in the screen for selecting [Printer Setup].

Installing the Driver

Installing the Driver	20
Installing by Discovering Devices on a Network	21
Installing by Specifying a Port or IP Address	26
Installing Using a USB Connection	31
Installing by Specifying an inf File	35
Installing Using a WSD Port	37
Installing a Shortcut to the Online Manual	38

Installing the Driver

Select the installation method suitable to the connection method and environment of the device you are using.

- ▶ **Installing by Discovering Devices on a Network(P. 21)**
- ▶ **Installing by Specifying a Port or IP Address(P. 26)**
- ▶ **Installing Using a USB Connection(P. 31)**
- ▶ **Installing by Specifying an inf File(P. 35)**
- ▶ **Installing Using a WSD Port(P. 37)**
- ▶ **Installing a Shortcut to the Online Manual(P. 38)**

Installing by Discovering Devices on a Network

You can search for devices on TCP/IP networks when installing the driver.

During installation, the configuration profile and device functions corresponding to the printer model are automatically set. You can also change or import a configuration profile if necessary.



NOTE

- For network environments other than TCP/IP, refer to the procedure for installing by specifying a port or IP address.
- If you do not know the network environment you are using, check with your network administrator.

Prerequisites

- **System Requirements(P. 15)**
- Enabling settings for both [Use WSD] and [Multicast Discovery Settings] at the device (for network environments that use WSD)
- Page description language selection (Plug & Play) function setting of the device
Set [PDL Selection (Plug and Play)] at the device to match the driver you are using. For details about the setting method, refer to the manual of the device.
- The device is one that is on the same subnet as the computer you are using
- **Notes and Warnings Regarding Installation(P. 17)**
- When starting the computer, logon as a member of Administrators.
- Display the [Desktop] screen (when using Windows 8.1/Server 2012/Server 2012 R2).

Procedures

1 Start the installer.

If you are using an installer downloaded from the web site:

Double-click the downloaded file to decompress it. If the installer does not start automatically after it is decompressed, double-click [Setup.exe].

If you are using the accompanying CD-ROM:

(1) Set the CD-ROM in the computer → click [Installation].

(2) In the [Installation] screen, confirm the driver → click [Installation].

If the CD-ROM menu is not displayed, click the subsequent "Open details".

Start the installer by following the procedure below.

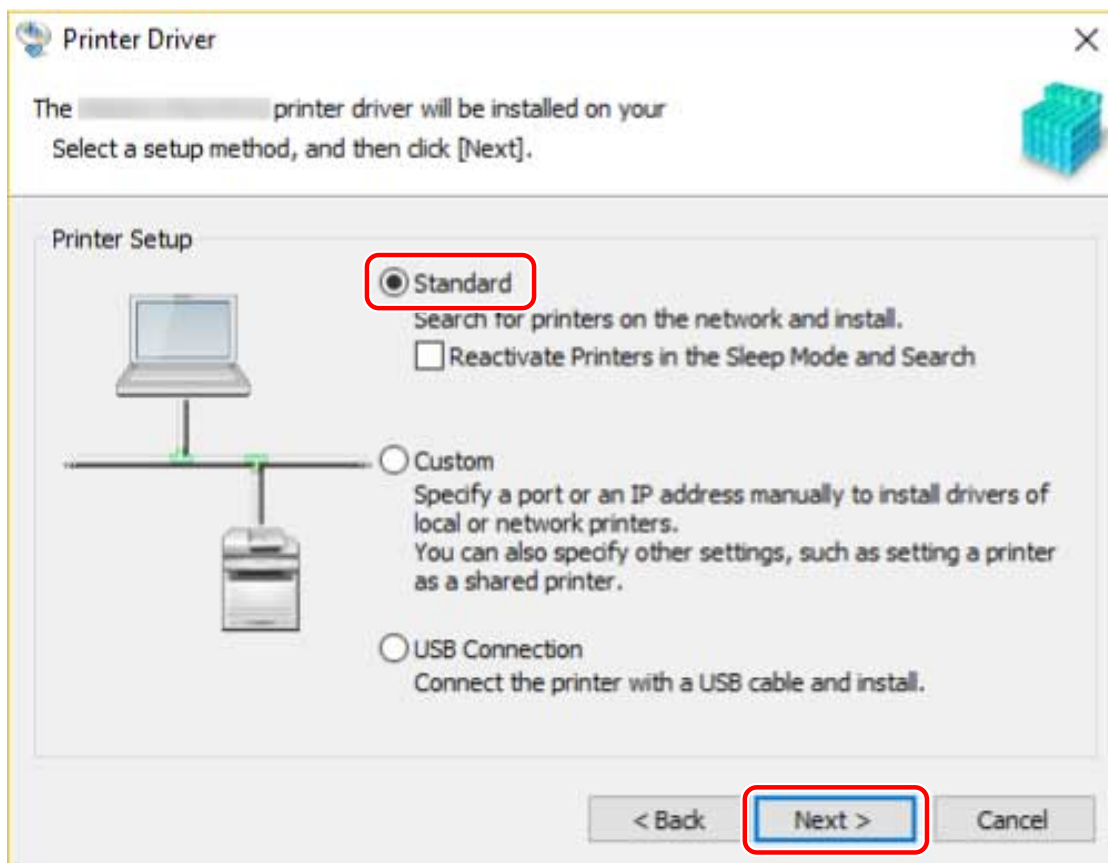
- If a message prompting you to insert a CD-ROM is displayed or if Windows Explorer is displayed: Execute [MInst.exe].
- If nothing is displayed: Double-click the CD-ROM icon.
- If the above [MInst.exe] does not exist: Execute [Setup.exe] in the driver folder of the CD-ROM.

2 Select a language → click [Next].

3 Read the **CANON SOFTWARE LICENSE AGREEMENT** → click **[Yes]**.

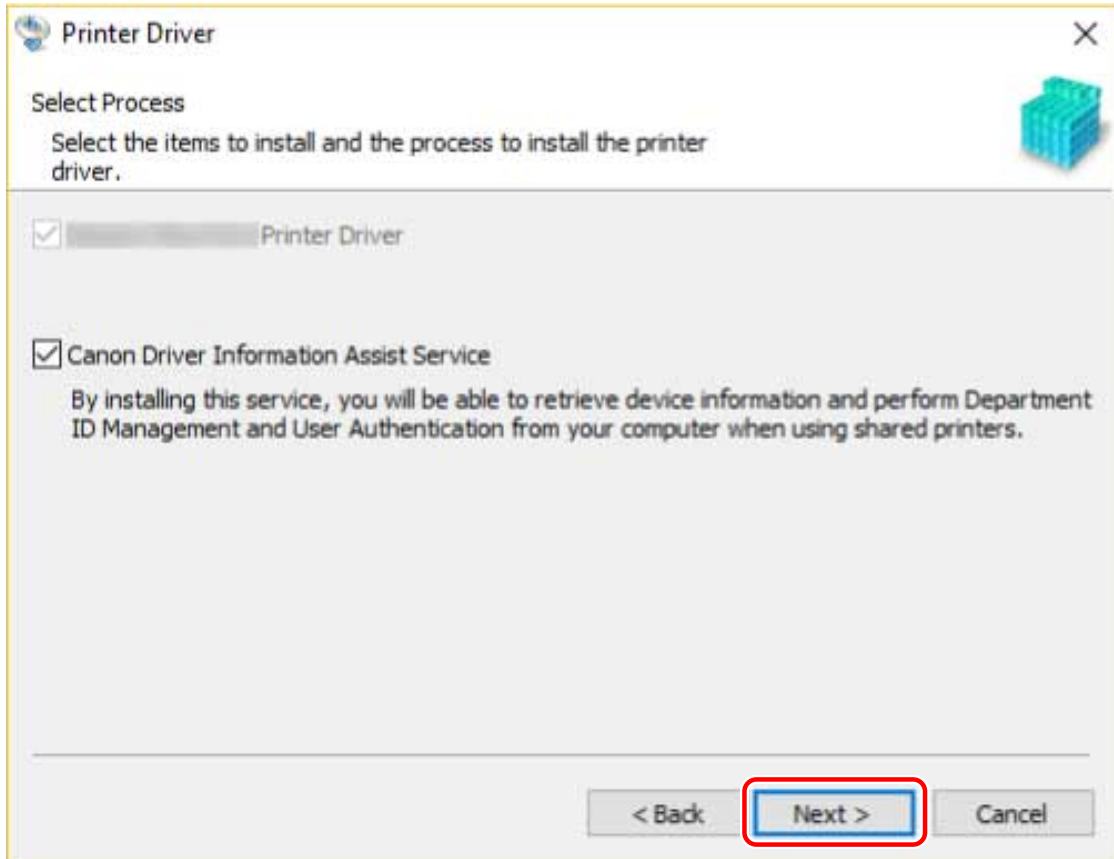
4 Select **[Standard]** → click **[Next]**.

[Reactivate Printers in the Sleep Mode and Search]: Select this when you want to detect devices on the network that are in sleep mode.



5 Select the required items → click **[Next]**.

[Canon Driver Information Assist Service]: Select this when you want to use the acquire device information function in a print server environment.



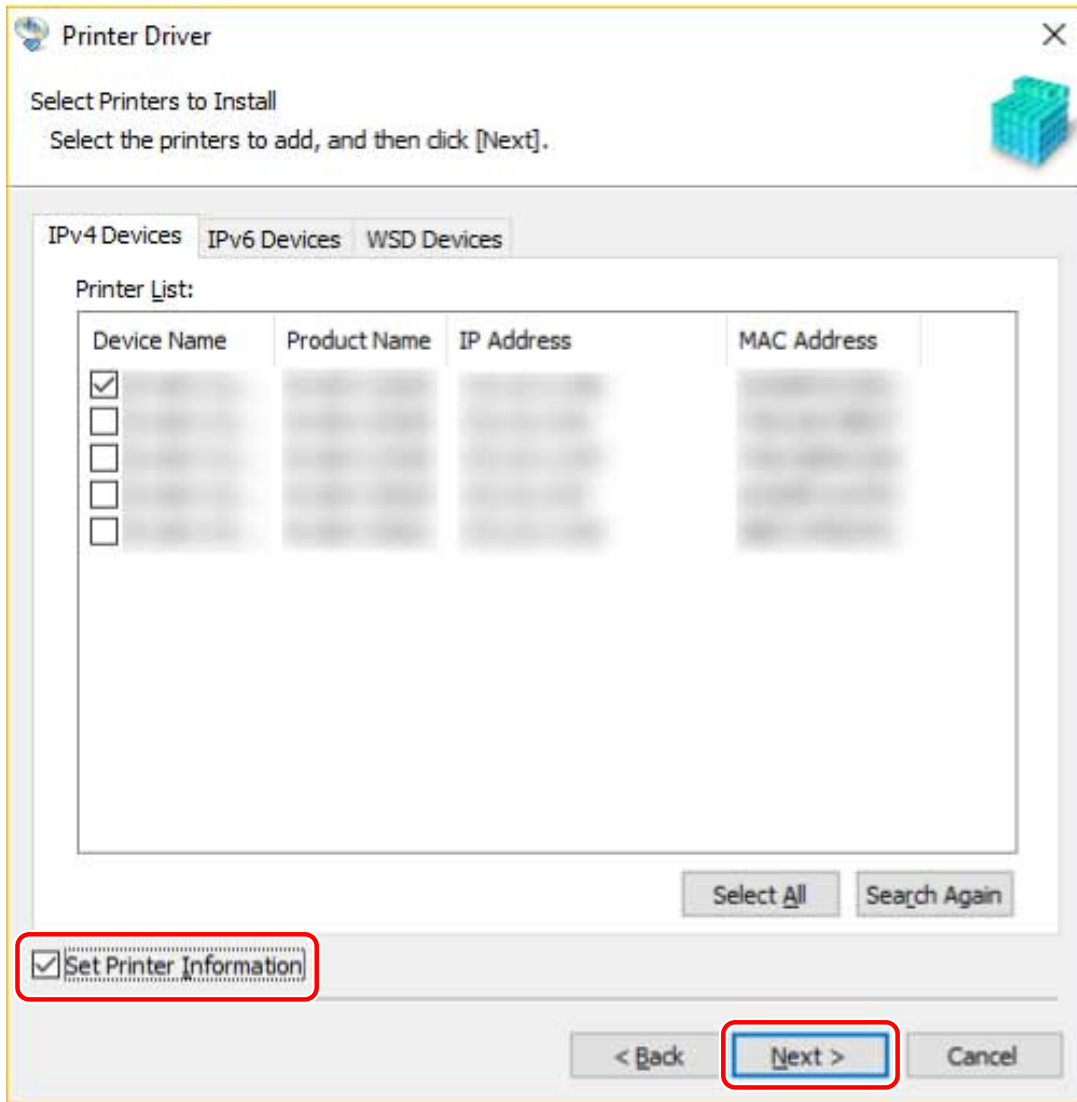
6 Select the device to install from [Printer List].

[IPv4 Devices]/[IPv6 Devices]/[WSD Devices]: You can switch displays by clicking the tabs.

If the device is not displayed in [Printer List], click [Search Again]. If the device is still not displayed after re-searching, select [Custom] and install by specifying a port or IP address.

7 If you want to change the name of the device, set it as the default device or change the configuration profile, select [Set Printer Information] → click [Next].

Otherwise, click [Next] and proceed to step 9.(P. 25)



8 Change [Printer Name] → click [Next].

[Configuration Profile] > [Change]: Click this only when you need to change or import a configuration profile. Click the subsequent "Open details" and perform the necessary operations. Select a configuration profile.

When manually selecting a configuration profile:

Select a configuration profile from [Configuration Profile] → click [OK].

When importing a configuration profile:

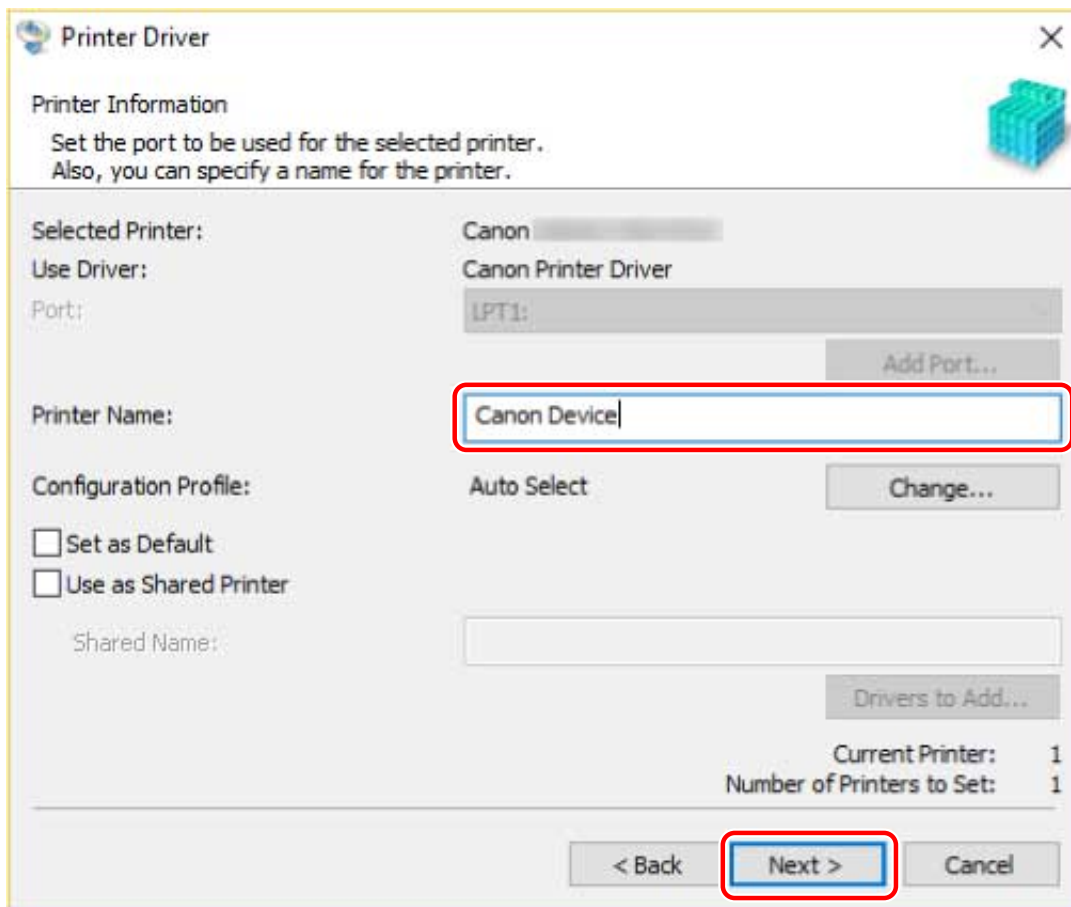
Click [Import] → select a configuration profile file (*.typ) → click [OK].

! IMPORTANT

- If the device is connected to the computer you are using, under normal circumstances, set the installer so that the configuration profile is automatically selected. If the computer cannot be connected to the device and device information cannot be retrieved, or if it is necessary to customize the configuration profile, manually select the configuration profile or import an exported profile.

[Set as Default]: Select this to set the device as the device that is normally used.

[Use as Shared Printer]: Select this if you want to share the device.



9 Check [Printer List for Driver Installation] → click [Start].

[Select Printers to Update]: Click this when there are printers you do not need to update.
Proceed with the installation according to the instructions on the screen.

10 Click [Restart] or [Exit].

If device information cannot be acquired during installation, set the device information before printing. You can also change or import the configuration profile at the same time.

Related Topics

- ▶ Installing by Specifying a Port or IP Address(P. 26)
- ▶ Installing as a Print Server(P. 42)
- ▶ Setting Device Information(P. 52)
- ▶ Updating the Driver(P. 72)

Installing by Specifying a Port or IP Address

You can manually specify the port or IP address to use for network connected or locally connected devices and install the driver. Install according to this procedure when you cannot automatically discover a device on the network or when unique settings are required.

As well as using an existing port, you can add a standard TCP/IP port or a network printer port.

If the device is connected during installation, a configuration profile corresponding to the printer model is set. You can also change or import the configuration profile if necessary.

Prerequisites

- **System Requirements(P. 15)**
- **Notes and Warnings Regarding Installation(P. 17)**
- Confirm the port to be specified.
Specify a standard TCP/IP port or a network printer port. You can specify an already registered port. You can select a temporary port ([LPT1] etc.) and set it after installation is complete.
- Confirm the name or IP address of the device (if adding a standard TCP/IP port).
If you are installing by adding a standard TCP/IP port, you need to enter the name and IP address of the device. For the name of the device, use the name by which the device is known on the network. If you do not know the name or IP address of the device, check with your network administrator.
- When starting the computer, logon as a member of Administrators.
- Display the [Desktop] screen (when using Windows 8.1/Server 2012/Server 2012 R2).

Procedures

1 Start the installer.

If you are using an installer downloaded from the web site:

Double-click the downloaded file to decompress it. If the installer does not start automatically after it is decompressed, double-click [Setup.exe].

If you are using the accompanying CD-ROM:

(1) Set the CD-ROM in the computer → click [Installation].

(2) In the [Installation] screen, confirm the driver → click [Installation].

If the CD-ROM menu is not displayed, click the subsequent "Open details".

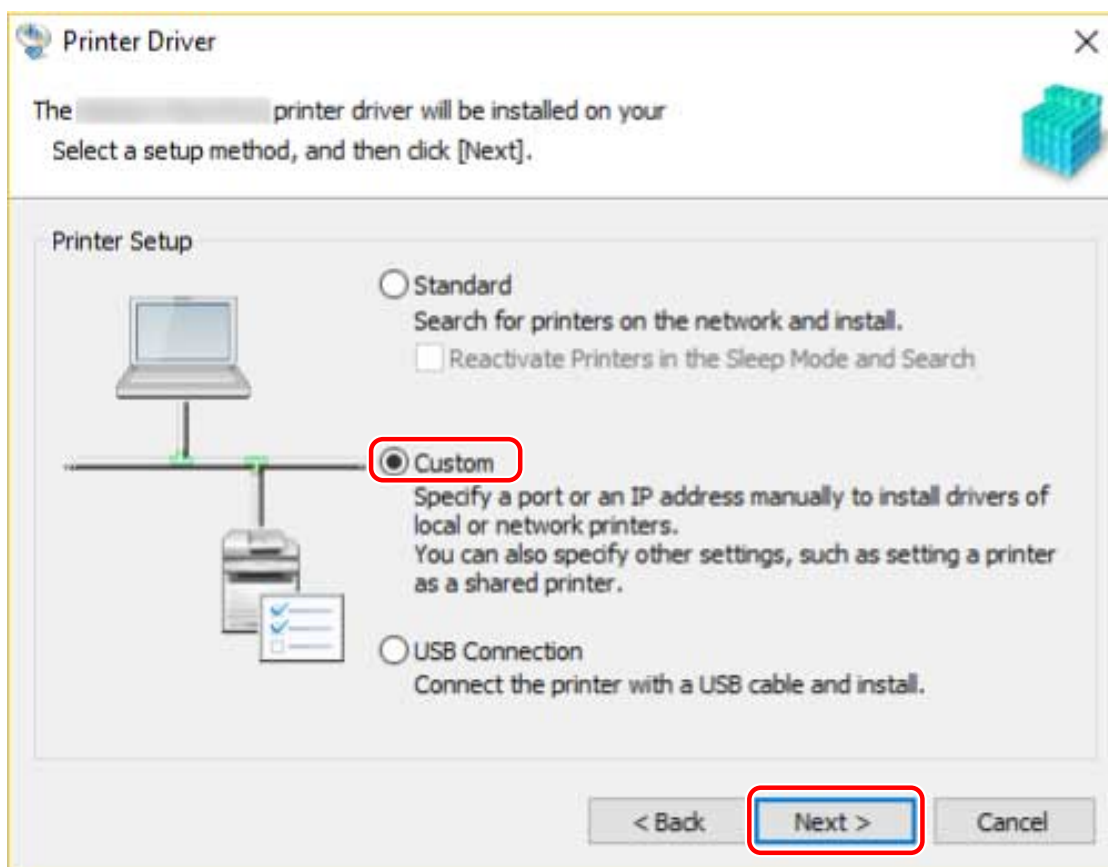
Start the installer by following the procedure below.

- If a message prompting you to insert a CD-ROM is displayed or if Windows Explorer is displayed: Execute [MInst.exe].
- If nothing is displayed: Double-click the CD-ROM icon.
- If the above [MInst.exe] does not exist: Execute [Setup.exe] in the driver folder of the CD-ROM.

2 Select a language → click [Next].

3 Read the **CANON SOFTWARE LICENSE AGREEMENT** → click **[Yes]**.

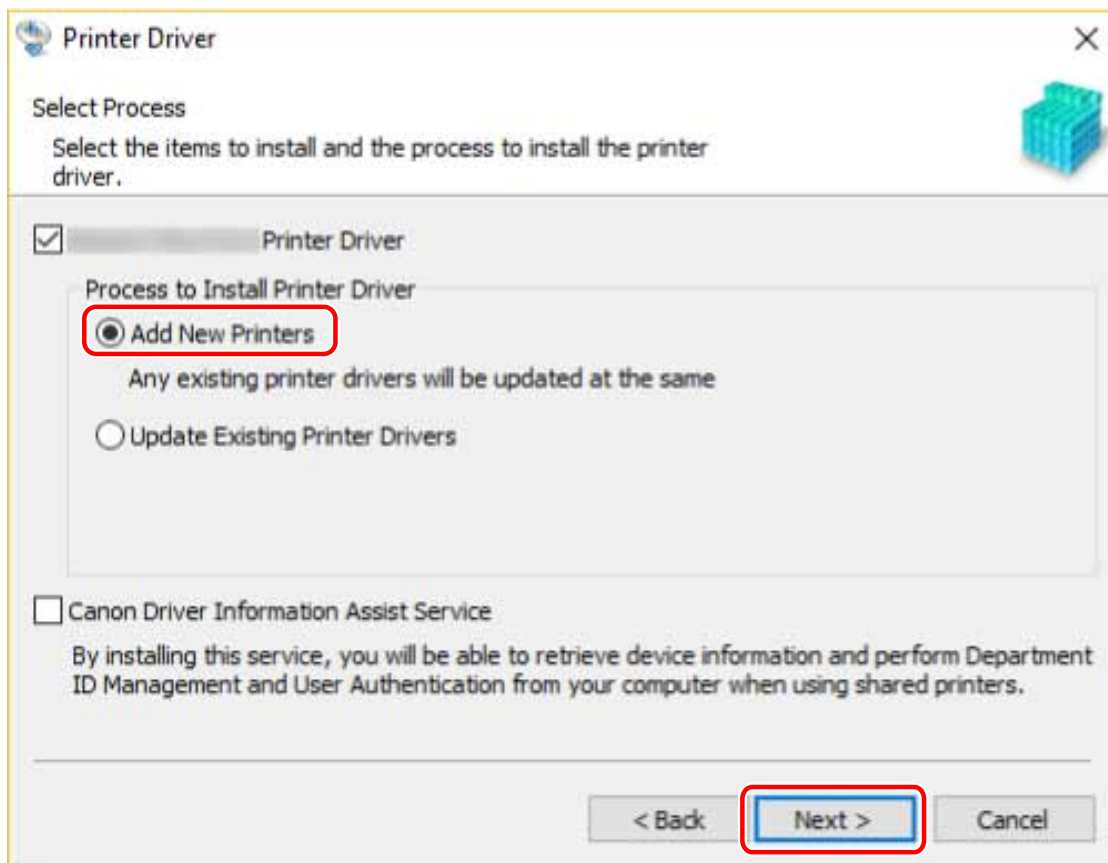
4 Select **[Custom]** → click **[Next]**.



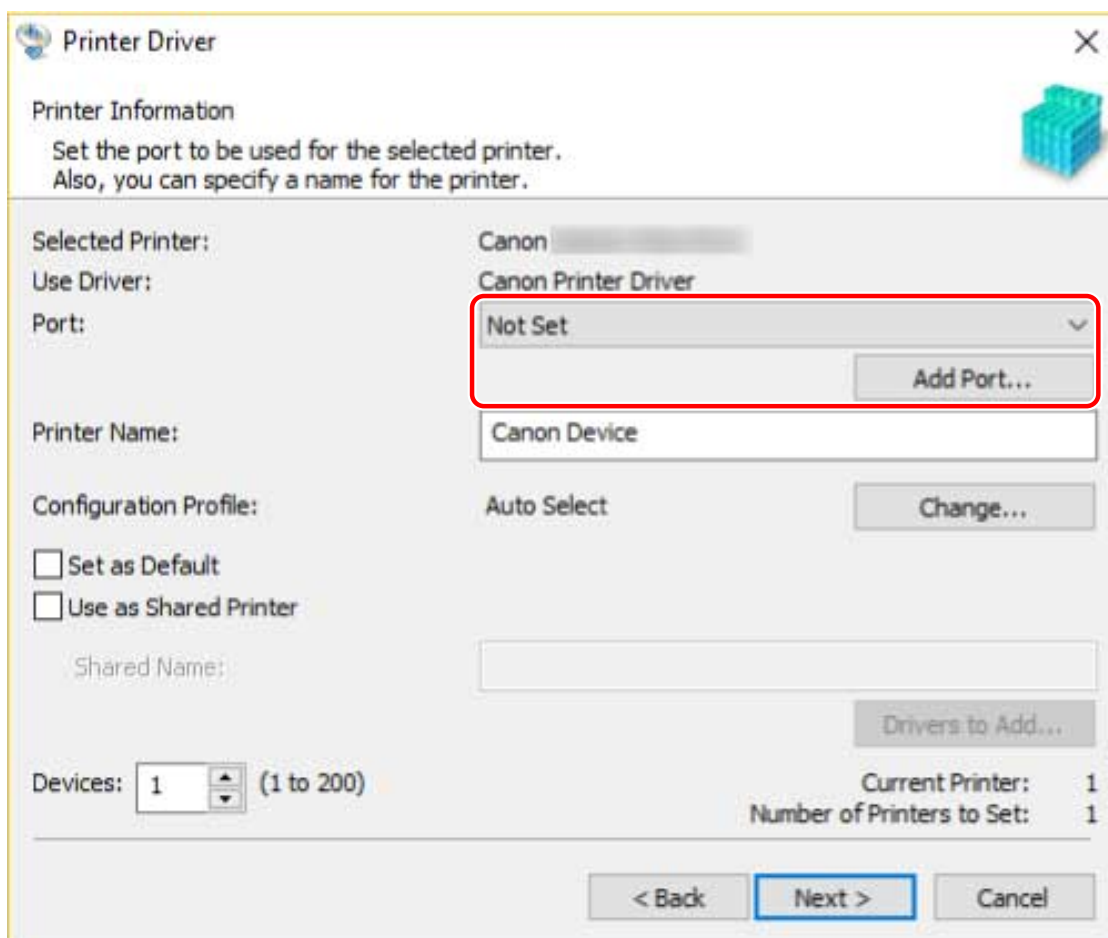
5 If the following screen is displayed, select **[Add New Printers]** → click **[Next]**.

[Update Existing Printer Drivers]: Select this if you want to update drivers only. When you select this, in the next screen, click [Select Printers to Update] → select the device to update from [Printer List] → click [OK]. Then click [Start] → skip to step **9.(P. 30)**

[Canon Driver Information Assist Service]: Select this when you want to use the acquire device information function in a print server environment.



6 Set the port.



When adding a standard TCP/IP port

(1) Click [Add Port] → select [Standard TCP/IP Port] from [Port to Add] → click [OK].

(2) Enter the device name or IP address according to the instructions of the wizard.

[Port Name] is automatically entered. Change the port name if required.

If the [Additional port information required] screen is displayed, click the subsequent "Open details" and perform the necessary operations.

Perform one of the following.

- Return to the previous screen in the wizard → re-enter the information for [Printer Name or IP Address] → click [Next].

- Select [Device Type] > [Standard] > [Canon Network Printing Device with P9100] → click [Next].

Depending on the device you are using, the name you select in [Device Type] > [Standard] may differ from [Canon Network Printing Device with P9100].

When adding a network printer port

(1) Click [Add Port] → select [Network] from [Port to Add] → click [OK].

(2) Select the network printer you are using → click [OK].

When using an existing port

Select a port from [Port].

7 Set [Printer Name] if necessary → click [Next].

[Configuration Profile] > [Change]: Click this only when you need to change or import a configuration profile.

Click the subsequent "Open details" and perform the necessary operations.

Select a configuration profile.

When manually selecting a configuration profile:

Select a configuration profile from [Configuration Profile] → click [OK].

When importing a configuration profile:

Click [Import] → select a configuration profile file (*.typ) → click [OK].

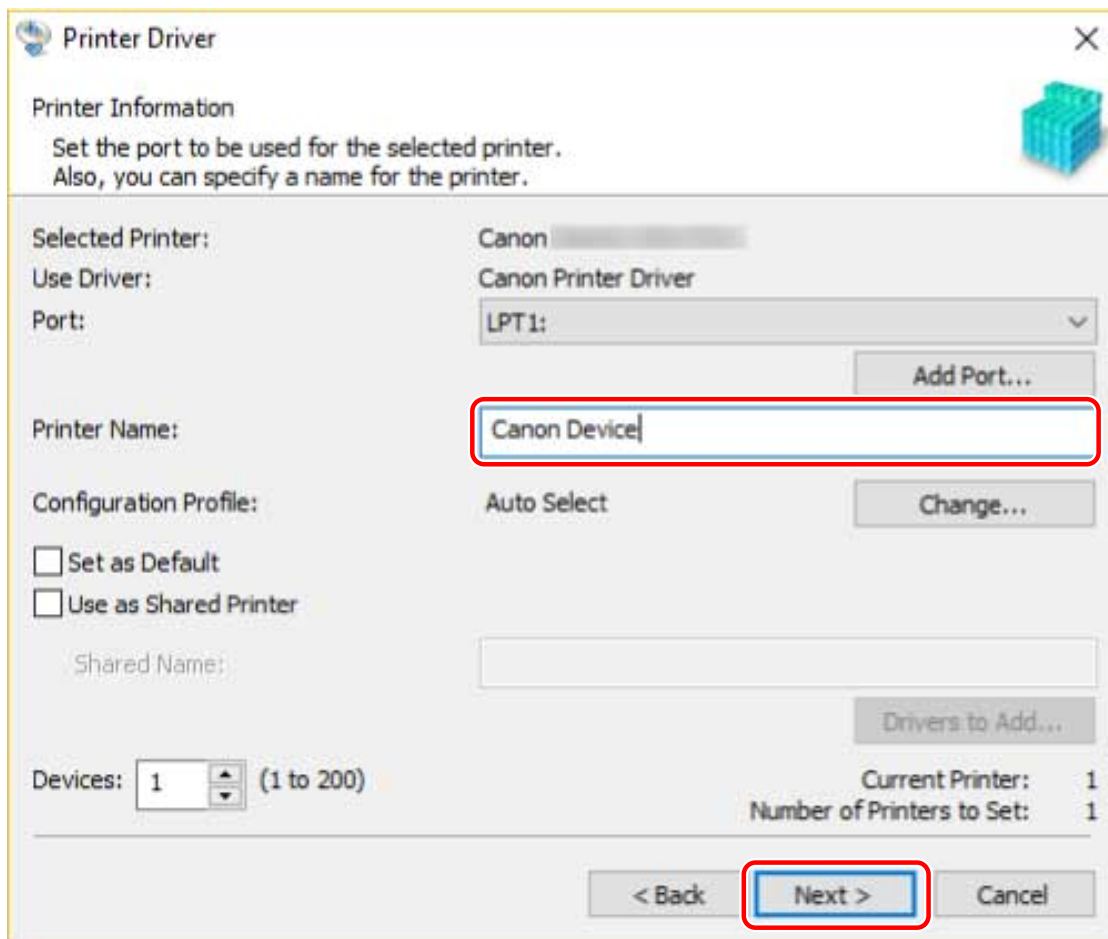
IMPORTANT

- If the device is connected to the computer you are using, under normal circumstances, set the installer so that the configuration profile is automatically selected. If the computer cannot be connected to the device and device information cannot be retrieved, or if it is necessary to customize the configuration profile, manually select the configuration profile or import an exported profile.

[Set as Default]: Select this to set the device as the device that is normally used.

[Use as Shared Printer]: Select this if you want to share the device.

If you added or selected a network printer port, you cannot set [Printer Name] and [Use as Shared Printer].



8 Check [Printer List for Driver Installation] → click [Start].

Proceed with the installation according to the instructions on the screen.

9 Click [Restart] or [Exit].

If device information cannot be acquired during installation, set the device information before printing. You can also change or import the configuration profile at the same time.

Related Topics

- ▶ Installing as a Print Server(P. 42)
- ▶ Changing the Port(P. 46)
- ▶ Setting Device Information(P. 52)
- ▶ Updating the Driver(P. 72)

Installing Using a USB Connection

You can connect the device and computer with a USB cable and install the driver.

During installation, the configuration profile corresponding to the printer model is automatically set. You can change or import the configuration profile if necessary.

Prerequisites

- **System Requirements(P. 15)**

- Installation of the optional USB interface board (if required with the device you are using)
- Page description language selection (Plug & Play) function setting of the device (if required with the device you are using)

Set [PDL Selection (Plug and Play)] at the device to match the driver you are using. For details about the setting method, refer to the manual of the device.

- **Notes and Warnings Regarding Installation(P. 17)**

- When starting the computer, logon as a member of Administrators.
- Display the [Desktop] screen (when using Windows 8.1/Server 2012/Server 2012 R2).

Procedures

1 Turn off the device.

2 Start the installer.

If you are using an installer downloaded from the web site:

Double-click the downloaded file to decompress it. If the installer does not start automatically after it is decompressed, double-click [Setup.exe].

If you are using the accompanying CD-ROM:

(1) Set the CD-ROM in the computer → click [Installation].

(2) In the [Installation] screen, confirm the driver → click [Installation].

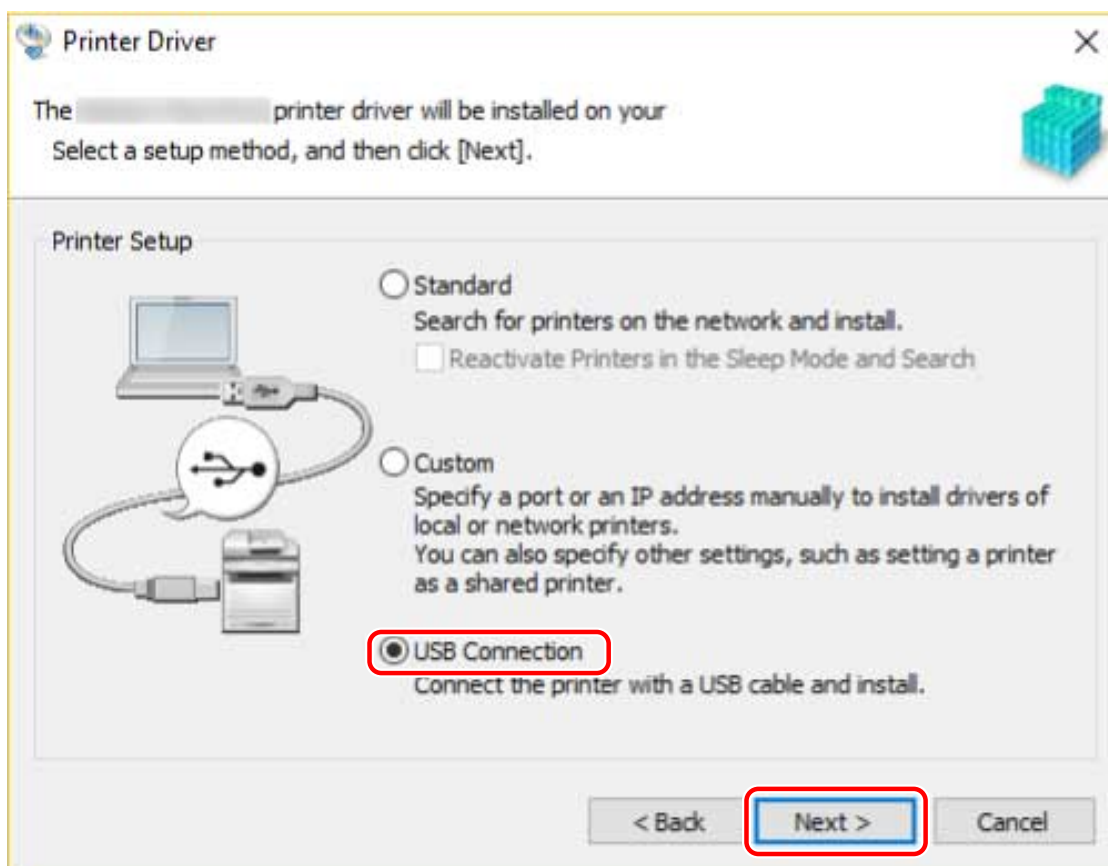
If the CD-ROM menu is not displayed, click the subsequent "Open details".

Start the installer by following the procedure below.

- If a message prompting you to insert a CD-ROM is displayed or if Windows Explorer is displayed: Execute [MInst.exe].
- If nothing is displayed: Double-click the CD-ROM icon.
- If the above [MInst.exe] does not exist: Execute [Setup.exe] in the driver folder of the CD-ROM.

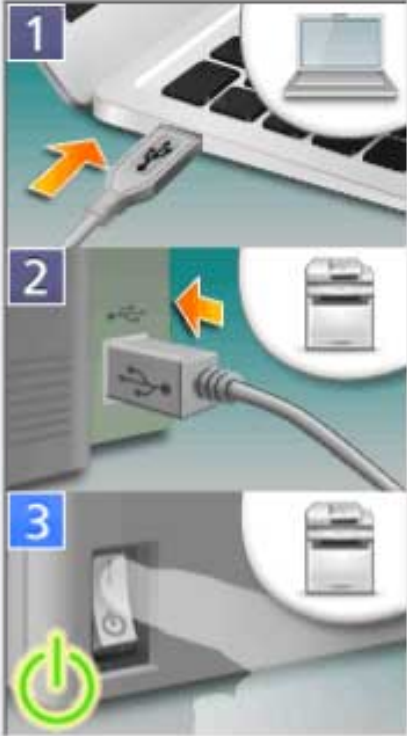
3 Select a language → click [Next].

4 Read the CANON SOFTWARE LICENSE AGREEMENT → click [Yes].

5 Select [USB Connection] → click [Next].**6** When the following screen appears, connect the device and computer with a USB cable → turn on the device.

[Skip]: If correctly connected by USB, in this screen you can finish the installation without waiting for automatic completion.

USB Connection



Follow the steps below to install the printer driver:

Status:

1. Connect the USB cable to the computer.
2. Connect the USB cable to the printer.
3. If the printer power is off, turn on the printer.

The printer will be recognized automatically and installation of printer drivers will start.

If the printer is not automatically recognized even with the USB cable connected, disconnect the cable from the printer after turning off the printer, and then connect the cable again.

Skip

Proceed with the installation according to the instructions on the screen.

If installation fails in the above screen, click the subsequent "Open details" and perform the necessary operations.

Reinstall the driver after performing the following procedure.

(1) Connect the device and computer with a USB cable → turn on the device.

(2) Display [Device Manager].

In Windows 10/Server 2016

Right-click [] → click [Device Manager].

In Windows 7/Server 2008 R2/8.1/Server 2012/Server 2012 R2

Display [Control Panel] > [Hardware and Sound] > [Device Manager].

In Windows Server 2008

Display [Control Panel] > [System and Maintenance] > [Device Manager].

(3) Right-click the device name of the target device from [Other devices] → click [Uninstall].

(4) Confirm the device name.

Canon + <model name being used>

7 In the [Printer Information] screen, check whether the configuration profile is suitable for the device.

[Configuration Profile] > [Change]: Click this only when you need to change or import a configuration profile.

Click the subsequent "Open details" and perform the necessary operations.

Select a configuration profile.

When manually selecting a configuration profile:

Select a configuration profile from [Configuration Profile] → click [OK].

When importing a configuration profile:

Click [Import] → select a configuration profile file (*.typ) → click [OK].

 **IMPORTANT**

- If the device is connected to the computer you are using, under normal circumstances, set the installer so that the configuration profile is automatically selected. If the computer cannot be connected to the device and device information cannot be retrieved, or if it is necessary to customize the configuration profile, manually select the configuration profile or import an exported profile.

8 Click [Restart] or [Exit].

Set the device information after installation is complete. To enable the functions of the device, change to the configuration profile suitable for your device and set the device function and option information.

Related Topics

- ▶ [Setting Device Information\(P. 52\)](#)

Installing by Specifying an inf File

You can install a driver by specifying an inf file with the add printer function of Windows. The following explanation will be given with respect to installation with a standard TCP/IP port.

Prerequisites

- **System Requirements(P. 15)**

- Confirm the IP address of the device.
- Prepare the inf file.

Acquire the driver from the Canon web site (<http://www.canon.com/>) or the supplied CD-ROM, and prepare the inf file.

The inf file is stored in the [Driver] folder and [etc] folder in the folder of the driver you have acquired.

When updating all drivers installed on your computer

- Use the inf file in the [Driver] folder

When separately installing a new driver without updating the driver already installed on your computer

- Use the inf file in the [etc] folder

- **Notes and Warnings Regarding Installation(P. 17)**

- When starting the computer, log on as a member of Administrators.
- Display the [Desktop] screen (when using Windows 8.1/Server 2012/Server 2012 R2).

Procedures

1 Start the Windows add printer wizard.

If starting from [Settings] (Windows 10/Server 2016 only)

- (1) Click [Devices] → click [Add a printer or scanner] from [Printers & scanners].
- (2) Click [The printer that I want isn't listed].

If starting from [Control Panel]

- (1) Display [Devices and Printers] → click [Add a printer].
- (2) When the screen for selecting a device is displayed, click [The printer that I want isn't listed].

2 Select local printer addition and proceed to the next screen.


3 Select [Create a new port] → select [Standard TCP/IP Port] from [Type of port] → click [Next].

4 Enter the IP address of the device in [Hostname or IP address] → proceed according to the instructions on the screen.

If the device cannot be found, it may be recognized as an unknown device. If so, click the subsequent "Open details."

- (1) Display [Device Manager].

In Windows 10/Server 2016

Right-click [] → click [Device Manager].

In Windows 7/Server 2008 R2/8.1/Server 2012/Server 2012 R2

Display [Control Panel] > [Hardware and Sound] > [Device Manager].

In Windows Server 2008

Display [Control Panel] > [System and Maintenance] > [Device Manager].

(2) Select [Other devices] > [Unknown Device] → select [Update Driver Software] from the [Action] menu.

(3) In the driver software update wizard, click [Browse my computer for driver software] → click [Let me pick from a list of device drivers on my computer].

(4) Select [Printers] from [Common hardware types] → click [Next].

5 In the [Add a printer] screen, click [Have Disk].

6 Click [Browse] → select the prepared inf file.

7 Select the device to use from [Printers] → click [Next].

8 Install the driver according to the instructions on the screen → click [Finish].

Set the device information after installation is complete.

The configuration profile has been set to [Basic Configuration (Compatible)] during installation. To enable the functions of the device, change to the configuration profile suitable for your device and set the device function and option information.

Related Topics

- ▶ [Changing the Port\(P. 46\)](#)
- ▶ [Setting Device Information\(P. 52\)](#)

Installing Using a WSD Port

This explains the procedure for searching for devices on a network from Windows using a WSD (Web Services on Devices) port and installing the driver.



IMPORTANT

- If you install using a WSD port, you cannot use the acquire device information function.
- If you want to install multiple drivers, share a standard TCP/IP port. You cannot install multiple drivers using a WSD port.

Prerequisites

- **System Requirements(P. 15)**
- Page description language selection (Plug & Play) function setting of the device
Set [PDL Selection (Plug and Play)] at the device to match the driver you are using. For details about the setting method, refer to the manual of the device.
- **Installing by Specifying a Port or IP Address(P. 26)**
Specify a temporary port ([LPT1] etc.) and install the driver.

Procedures

1 Display [Devices and Printers] → click [Add a device].

2 Select the target device → click [Next].

Set the device information after installation is complete.

The configuration profile has been set to [Basic Configuration (Compatible)] during installation. To enable the functions of the device, change to the configuration profile suitable for your device and set the device function and option information.



NOTE

- After installation is complete, the icon of the printer added after installation specifying the temporary port is unnecessary. To delete the icon, right-click the icon to delete → click [Remove device] or [Uninstall].

Related Topics

- **Setting Device Information(P. 52)**
- **Cannot discover a device connected via a WSD port(P. 85)**

Installing a Shortcut to the Online Manual

This explains the procedure for installing a shortcut to the website where online manuals for Canon products are available.

1 Insert the supplied CD-ROM into your computer.

2 Click [Installation].

If the CD-ROM menu is not displayed, click the subsequent "Open details".

Start the installer by following the procedure below.

- If a message prompting you to insert a CD-ROM is displayed or if Windows Explorer is displayed: Execute [MInst.exe].
- If nothing is displayed: Double-click the CD-ROM icon.
- If the above [MInst.exe] does not exist: Execute [Setup.exe] in the driver folder of the CD-ROM.

3 Select only the [Manuals] checkbox in the [Installation] screen → click [Install].

4 Select a language → click [Next].

5 Read the CANON SOFTWARE LICENSE AGREEMENT → click [Yes].

6 Check the installation destination → click [Install].

If you want to change the installation destination, click [Browse].

The installation operation begins.

7 Click [Quit].

8 Click [Next] → [Exit].

The shortcut is created on your desktop.

Changing Settings to Match the Usage Environment

Changing Settings to Match the Usage Environment	40
Using a Shared Printer	41
Installing as a Print Server	42
Setting up Clients of a Shared Printer	44
Changing the Port	46

Changing Settings to Match the Usage Environment

This explains shared printer settings and switching ports.

- ▶ **Using a Shared Printer(P. 41)**
- ▶ **Changing the Port(P. 46)**

Using a Shared Printer

This explains the setting procedure for sharing a device with computers on the same network.

- ▶ **Installing as a Print Server(P. 42)**
- ▶ **Setting up Clients of a Shared Printer(P. 44)**

Installing as a Print Server

This explains how to configure the share settings of and install the driver in order to use a computer connected to the device as a print server.

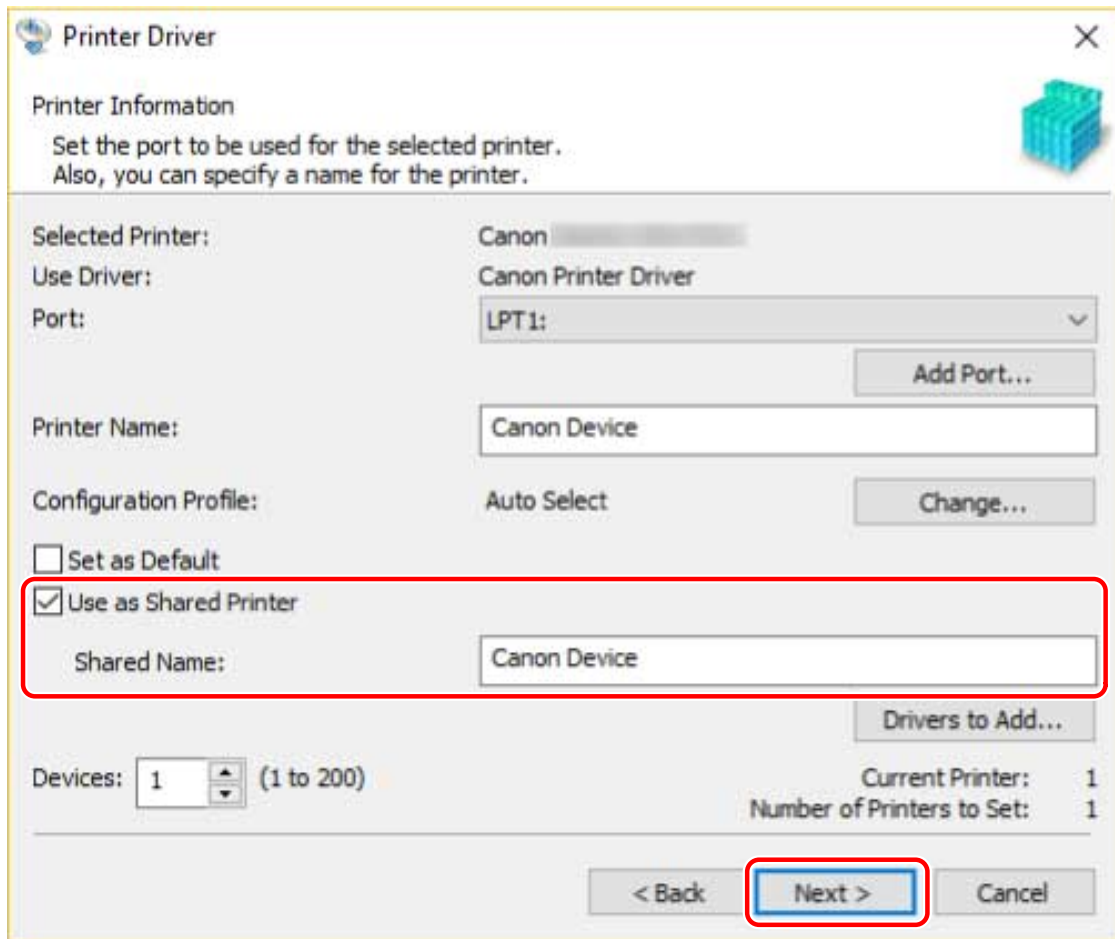
Prerequisites

- When starting the computer, logon as a member of Administrators.
- Display the [Desktop] screen (when using Windows 8.1/Server 2012/Server 2012 R2).

Procedures

- 1 Start the installer → proceed according to the instructions on the screen.**
- 2 If the [Select Process] screen is displayed, select [Add New Printers] and [Canon Driver Information Assist Service] → click [Next].**
- 3 Select the device to install from [Printer List] → click [Next].**
- 4 Select [Use as Shared Printer] → change [Shared Name] if necessary → click [Next].**

If a client computer with an operating system that differs from the print server is connected to a shared printer, click [Drivers to Add] and select an alternate driver to automatically download an alternate driver.



5 Follow the instructions on the screen → click [Exit].

Related Topics

- ◉ [Installing by Discovering Devices on a Network\(P. 21\)](#)
- ◉ [Installing by Specifying a Port or IP Address\(P. 26\)](#)
- ◉ [Setting up Clients of a Shared Printer\(P. 44\)](#)

Setting up Clients of a Shared Printer

This explains the procedure for enabling printing from a client computer (hereafter referred to as "a client") using a print server on the same network.

In environments where Windows Update can be used, it is not necessary to use the installer in order for the newest driver to be installed when selecting a print server.

Prerequisites

- Configure the share settings of the print server driver.
If the types of operating systems on the print server and clients differ, install the drivers for operating systems supported by the clients on the print server.
- When starting the computer, logon as a member of Administrators.



NOTE

- If you are configuring the settings of a client in a workgroup environment, the user name and password for logging onto the client must match the user name and password registered in the server.

Procedures

- 1** Display [Network] in Windows Explorer.
- 2** Double-click the computer (print server) you have set for print sharing.
- 3** Double-click the icon of the device for installation.
- 4** Click [Yes] in the displayed message.
- 5** Configure the settings according to the instructions in the wizard.
- 6** Restart the computer after installation is complete.



NOTE

- The driver settings of the server may not be reflected in the clients. If this happens, the driver version of the clients may be older than that of the print server. Always update the client drivers to the newest version together with print server updates.

Related Topics

- ▶ [Installing as a Print Server\(P. 42\)](#)
- ▶ [Updating the Driver\(P. 72\)](#)

Changing the Port

This explains the procedure for changing the port used by a device connected to a network.

If you temporarily set a port for the device when installing the driver, change it to the correct port by following this procedure.

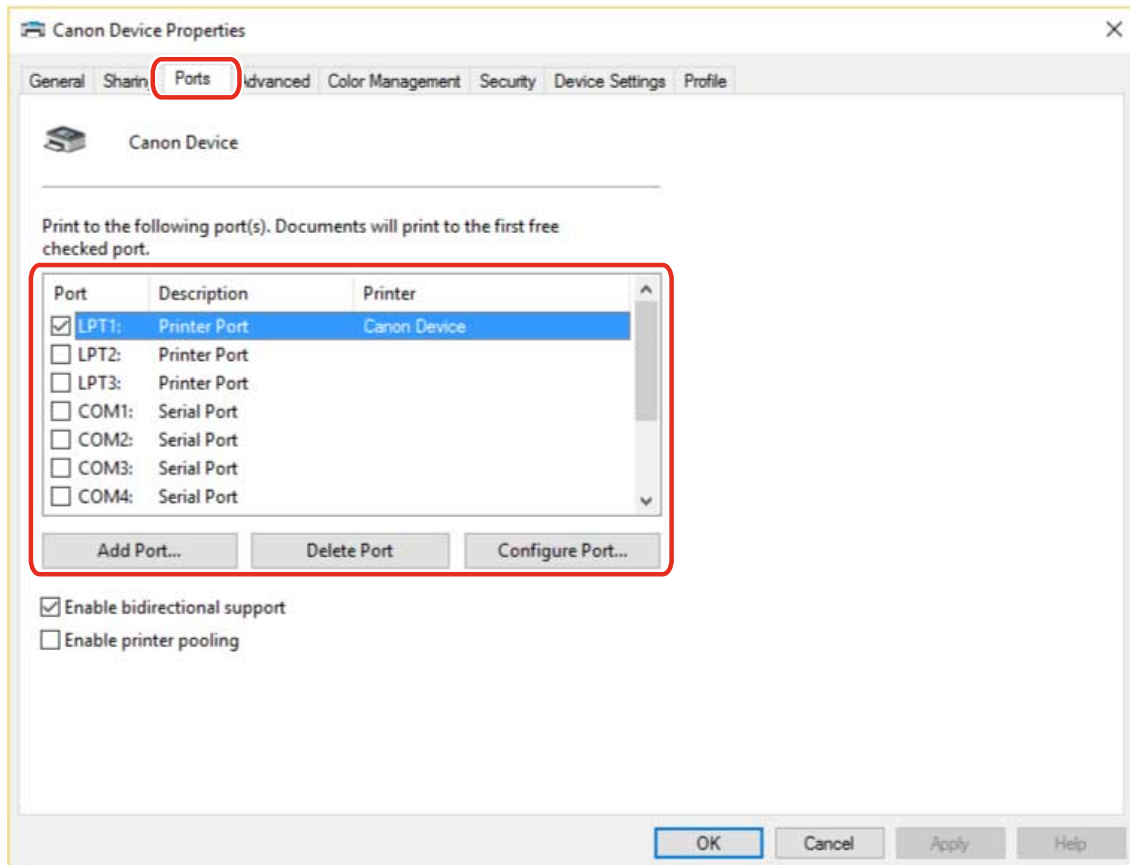
Here, the method for creating a Raw or LPR port using a standard TCP/IP port is explained.

Prerequisites

- Driver installation
- Confirm the name or IP address of the device (if adding a standard TCP/IP port).
To add a standard TCP/IP port, you need to enter the name or IP address of the device. For the name of the device, use the name by which the device is known on the network. If you do not know the device name or IP address, check with your network administrator.
- Determining the protocol to use
Raw: A protocol that can be used with Windows. It transmits data at a higher speed than LPR.
LPR: The protocol commonly used by TCP/IP.
- When starting the computer, logon as a member of Administrators.

Procedures

- 1** Display [Devices and Printers] from the [Control Panel] of Windows.
- 2** Right-click the icon of the device you are going to set → select [Printer properties].
- 3** Display the [Ports] sheet → set the port.



When using an existing port:

Select a port from [Port].

When adding a standard TCP/IP port:

(1) Click [Add Port] → select [Standard TCP/IP Port] from [Available port types] → click [New Port].

(2) Enter the device name or IP address according to the instructions of the wizard.

[Port Name] is automatically entered. Change the port name if required.

If the [Additional port information required] screen is displayed, click the subsequent "Open details" and perform the necessary operations.

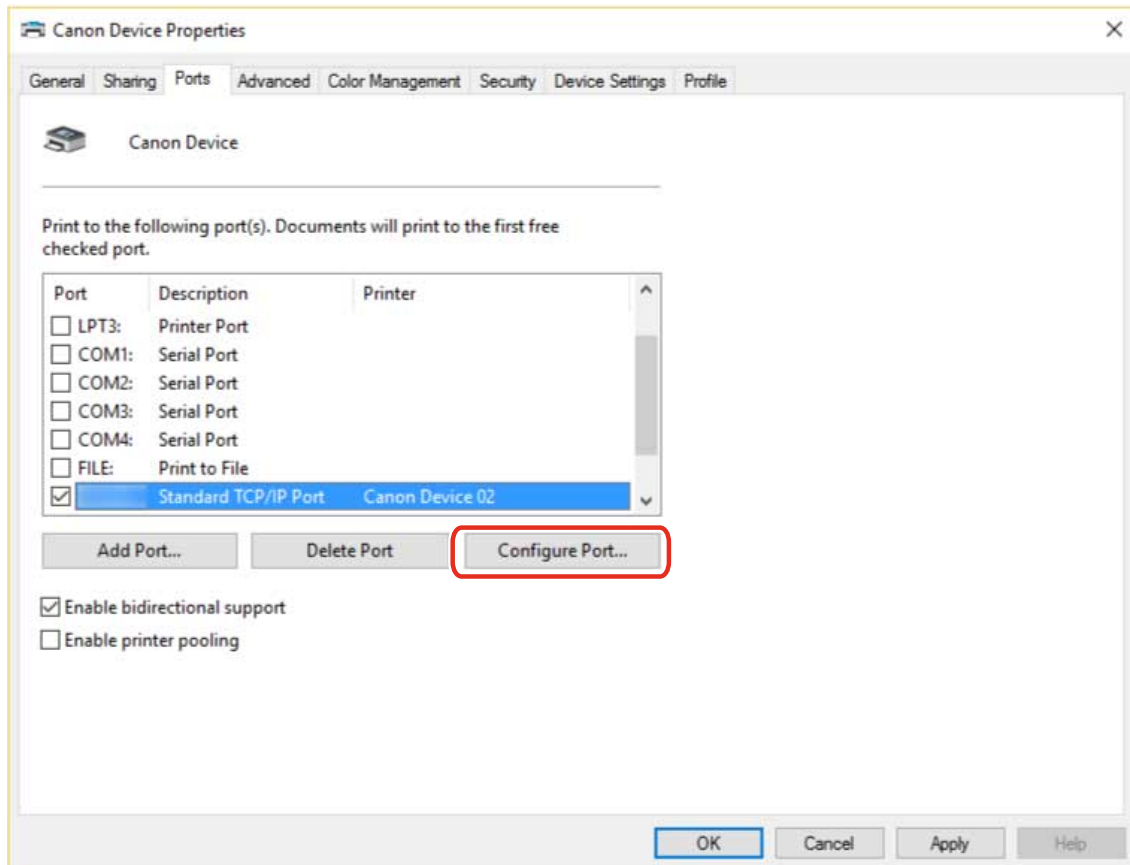
Perform one of the following.

- Return to the previous screen in the wizard → re-enter the information for [Printer Name or IP Address] → click [Next].
- Select [Device Type] > [Standard] > [Canon Network Printing Device with P9100] → click [Next].

Depending on the device you are using, the name you select in [Device Type] > [Standard] may differ from [Canon Network Printing Device with P9100].

(3) Click [Finish] → click [Close] in the [Printer Ports] dialog box.

4 If you want to configure the standard TCP/IP port, click [Configure Port].



5 Configure the port.

When using Raw:

Select [Raw] for [Protocol] → click [OK].

When using LPR:

(1) Select [LPR] for [Protocol] → specify one of the following print queues for [LPR Settings] > [Queue Name].

LP: Outputs according to the spool setting of the device. This is the setting that is normally used.

SPOOL: Always outputs after spooling to the hard disk, regardless of the device settings.

DIRECT: Always outputs without spooling to the hard disk, regardless of the device settings.

(2) Click [OK].

Configure Standard TCP/IP Port Monitor [X]

Port Settings

Port Name: []

Printer Name or IP Address: []

Protocol

Raw LPR

Raw Settings

Port Number: 9100

LPR Settings

Queue Name: []

LPR Byte Counting Enabled

SNMP Status Enabled

Community Name: public

SNMP Device Index: 0

OK Cancel

6 Click [Close].

Making the Device Functions Usable

Making the Device Functions Usable	51
Setting Device Information	52
Device Functions Settings	57
Paper Sources and Output Destinations Settings	58
Importing a Configuration Profile	67

Making the Device Functions Usable

- ▶ **Setting Device Information(P. 52)**
- ▶ **Device Functions Settings(P. 57)**
- ▶ **Paper Sources and Output Destinations Settings(P. 58)**
- ▶ **Importing a Configuration Profile(P. 67)**

Setting Device Information

This explains the procedure for setting options installed in the device and making functions exclusive to the device usable. First, apply the configuration profile that matches the printer model to the driver, and change the settings in the [Device Settings] sheet. Next, set the device function and option information. If you can use the acquire device information function, the function and option information of the device can be set automatically.

Perform a response according to the situation as shown below.

- **If you installed using the installer with a network connection:**

Normally, when installing, device information is acquired, and the configuration profile and device function and option information is automatically set. According to the following procedure, check that the configuration profile that matches the printer model is applied and that [Device Information] is set to [Auto].

- **If you installed using the installer with a USB connection:**

During installation, the configuration profile corresponding to the printer model is automatically set. The acquire device information function is not supported in USB environments. According to the following procedure, check that the configuration profile that matches the printer model is applied and set the device function and option information manually.

- **If the device information was not acquired during installation, or if you cannot use the device functions and options:**

According to the following procedure, set the configuration profile and device function and option information automatically or manually.

- **If you have added an option to the device:**

According to the following procedure, check that the configuration profile that matches the printer model is applied and set the added option automatically or manually.

- **If you change the printer model you are using:**

After changing the port, and set the configuration profile and device function and option information automatically or manually, according to the following procedure.

Prerequisites

- Settings at the device
 - If the device is connected via a WSD port, [Use WSD Browsing] is already set to on.
 - If the device is connected by specifying a standard TCP/IP port, [Retrieve Printer Mngt. Information from Host] is already set to on.

For details, refer to the manual of the device.
- When starting the computer, log on as a member of Administrators.
- When changing the printer model you are using: **Changing the Port(P. 46)**

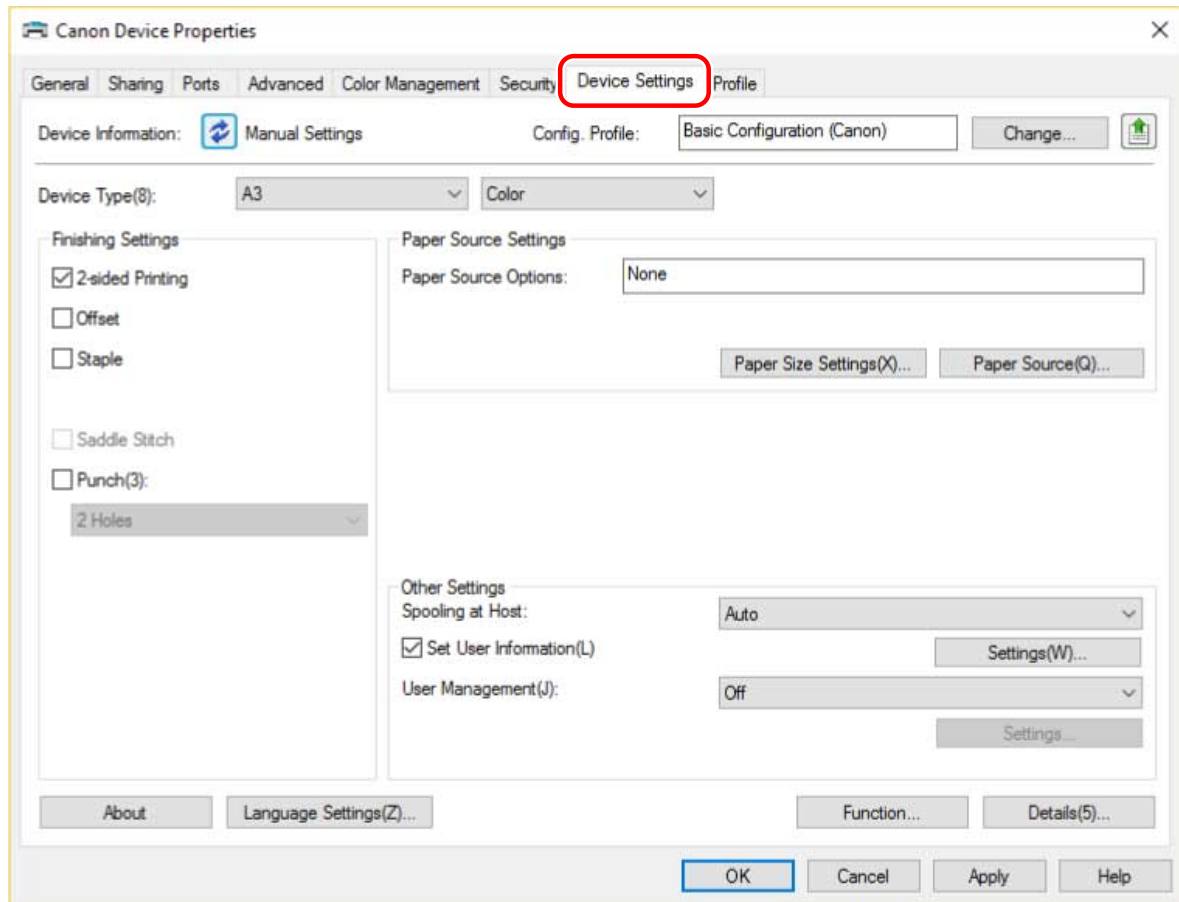
Procedures

1 Display [Devices and Printers] from the [Control Panel] of Windows.

2 Right-click the icon of the device you are going to set → select [Printer properties] from the displayed menu.

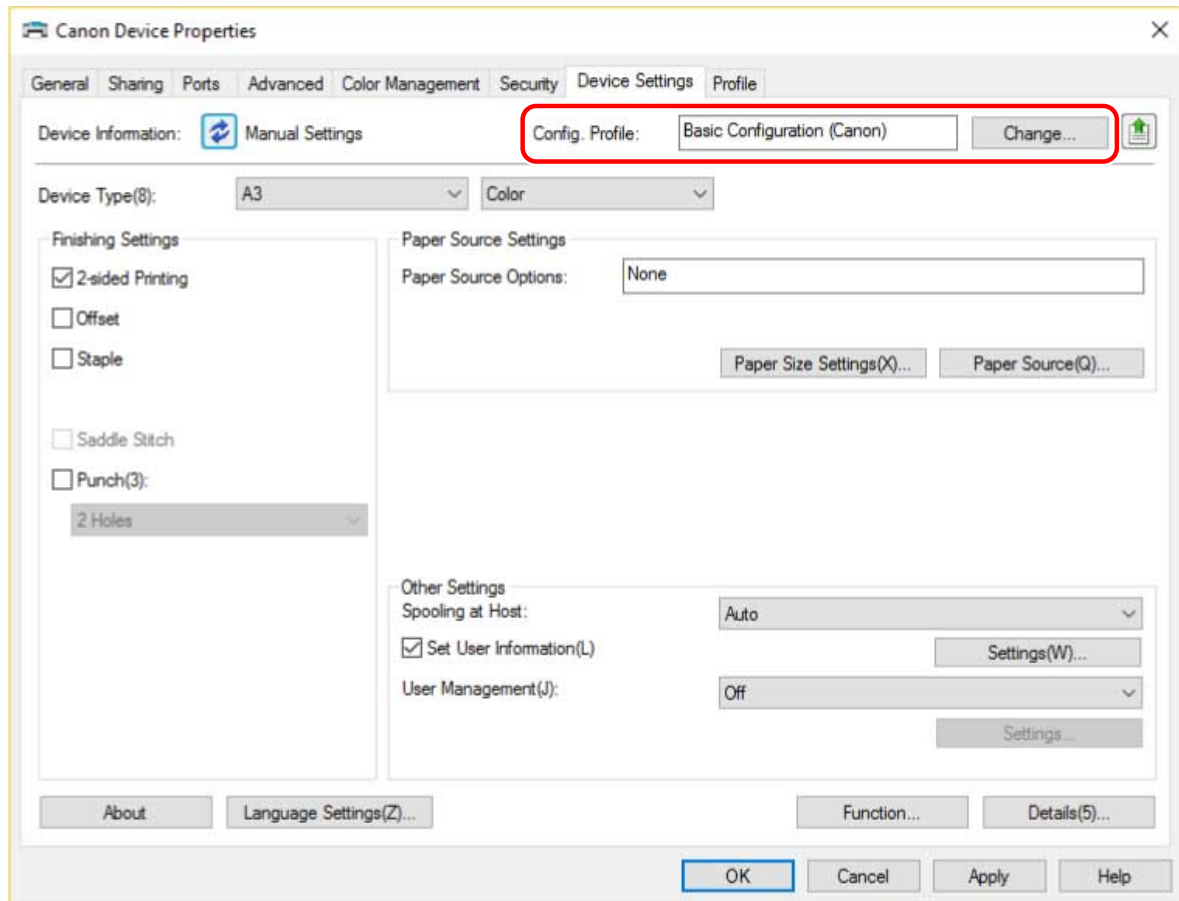
If you are using the driver with multiple device models, select the model you are going to set after selecting [Printer properties].

3 Display the [Device Settings] sheet.



4 Check whether the configuration profile is suitable for the device you are using → if it does not match printer model, click [Change].

If a configuration profile that matches the printer model is set, skip to step 6.(P. 55)

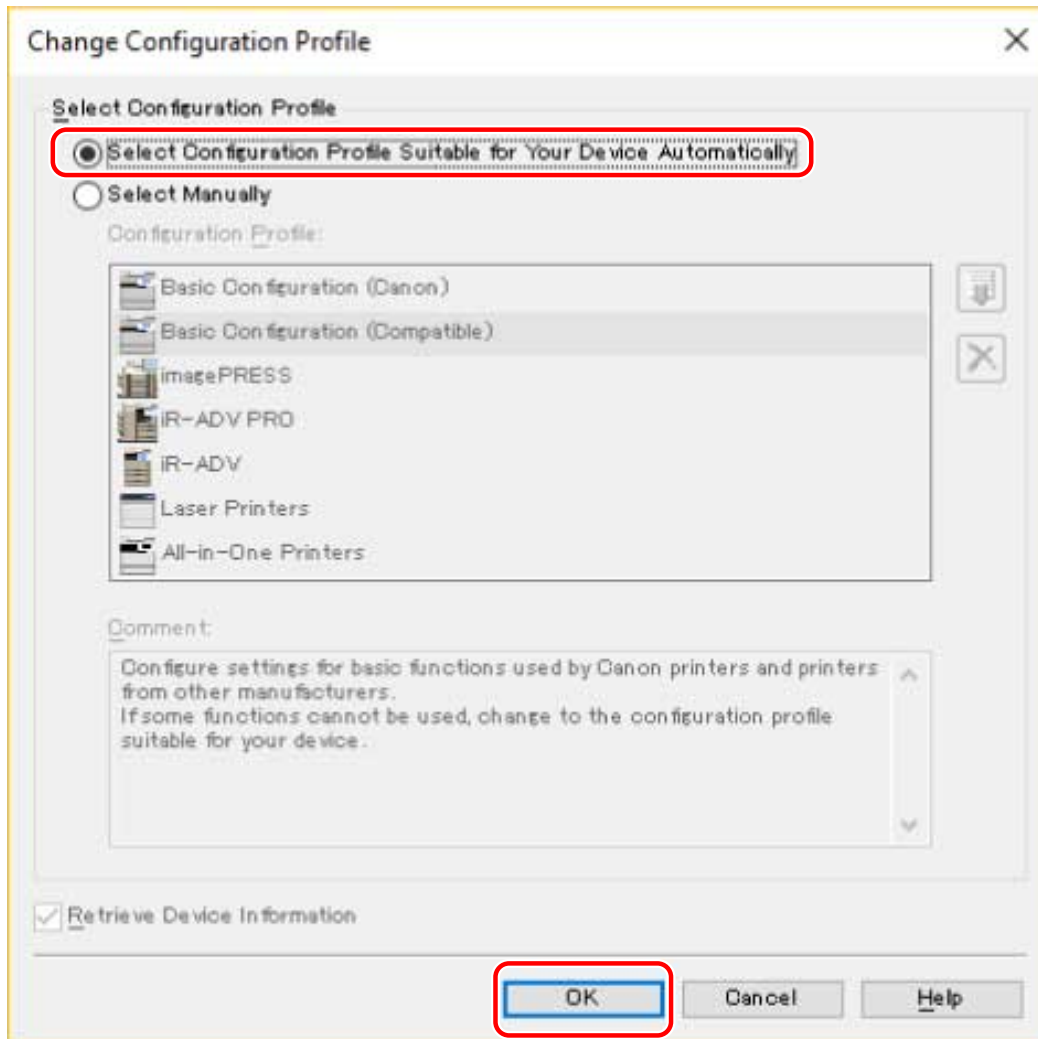


! IMPORTANT

- If you have not selected a configuration profile suitable for the device you are using, the device information may not be appropriately applied and some of the functions of the device may not be usable. Select a suitable configuration profile to display the required settings in the [Device Settings] sheet. Settings not displayed in the [Device Settings] sheet have not had the acquired device information applied to them.


5 Select [Select Configuration Profile Suitable for Your Device Automatically] → click [OK].

Only when the device is offline or you need to select a configuration profile manually, select [Select Manually] → select a configuration profile from [Configuration Profile] → click [OK].

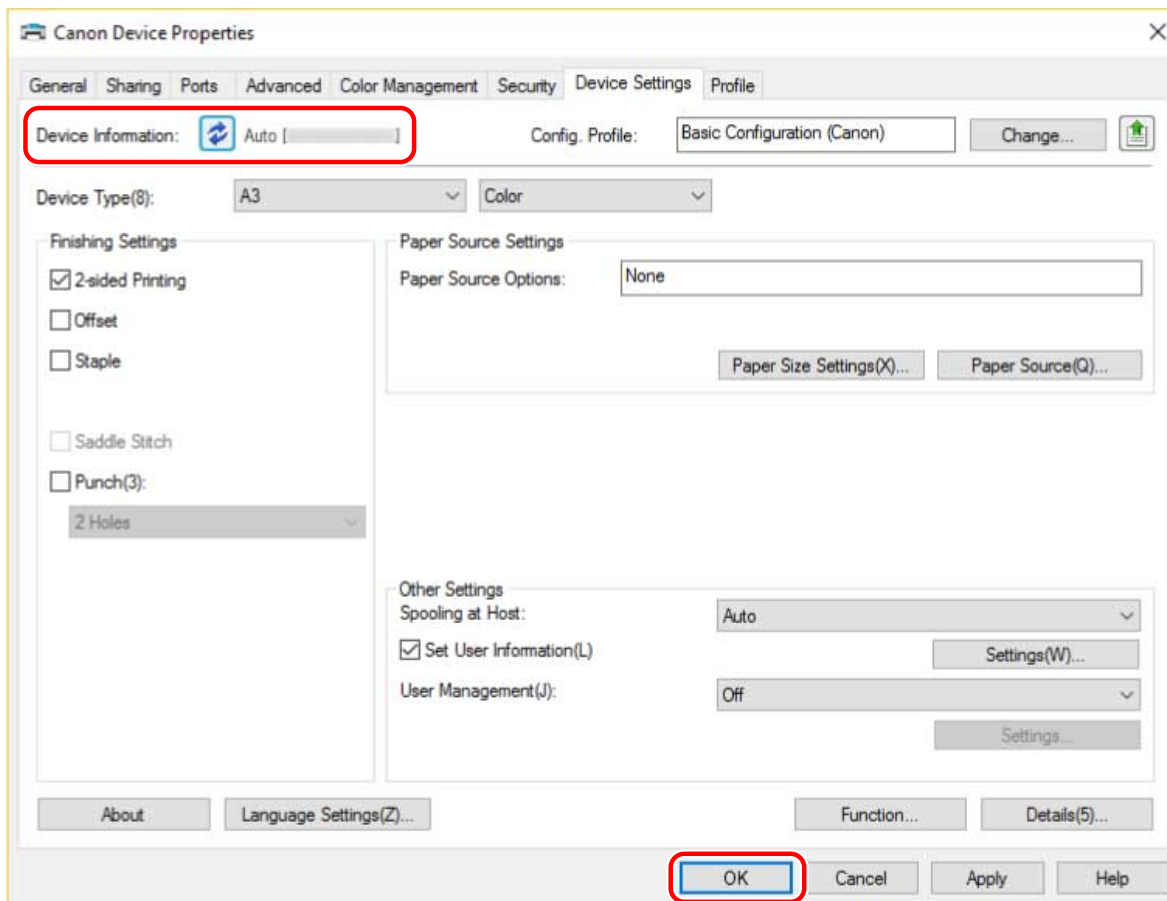


6 Confirm that [Device Information] is set to [Auto] → click [OK].

If [Device Information] is set to [Auto], the device information is acquired and the device function and option information is set automatically.

If you want to acquire the device information again when you have added an option etc., click [] (Retrieve Device Status Information).

If [Device Information] is set to [Manual Settings], the device information is not acquired. Set the options attached to the device and the functions supported by the device manually.



NOTE

- Even if you can use the acquire device information function, some device information must be set manually. For details, refer to the explanation of the device functions settings.
- In any of the following cases, there is a possibility that you may not be able to acquire some of the device information. If that happens, set the options manually.
 - When using a USB connection
 - When using a device or port that cannot acquire device information
 - When the configuration profile is set to [Basic Configuration (Compatible)], you cannot acquire the device information. Set the options manually.
- You can export and save the device information settings in the [Device Settings] sheet as a configuration profile. By importing the exported configuration profile, you can set all of the device information at once.

Related Topics

- ▶ [Device Functions Settings\(P. 57\)](#)
- ▶ [Paper Sources and Output Destinations Settings\(P. 58\)](#)
- ▶ [Importing a Configuration Profile\(P. 67\)](#)

Device Functions Settings


This explains the functions that are set automatically by the acquire device information function and functions that must be set manually because their information cannot be acquired.




NOTE

- When connected by a TCP/IP or IPP network, the device information can be acquired only by the driver.
- In a print server environment, the device information can be acquired when the "Canon Driver Information Assist Service" is installed in the server computer. You can install the service using the driver installer.
- When using a USB Connection, the device information cannot be acquired. Set the device functions and installed options manually.

Functions that are set automatically

- [Device Type]
- [Finishing Settings]
- [Paper Source Settings]
- [Paper Source Options]
- [Output Settings]
- [Other Settings]
 - [User Management]
 - [Secure Printing Function of Device]
- [Function]
- [Details] > items with []

Functions that must be set manually

- [Config. Profile]
- [Paper Size Settings] > [Paper Size to Use as Custom Paper Size]
- [Other Settings]
 - [Spooling at Host]
 - [Set User Information]
 - [User Management] > [Department ID Management] > [Settings]
- [Details] > items with []
- [Language Settings]

Related Topics

-  [Paper Sources and Output Destinations Settings\(P. 58\)](#)

Paper Sources and Output Destinations Settings

This explains the mapping between the driver settings and paper source and output destination options. Refer to the device settings of the configuration profile selected for [Config. Profile] in the [Device Settings] sheet.

If [Fiery Print Controller] or [Basic Configuration (Canon)] is selected for [Config. Profile], refer to the settings for the printer model you are using.

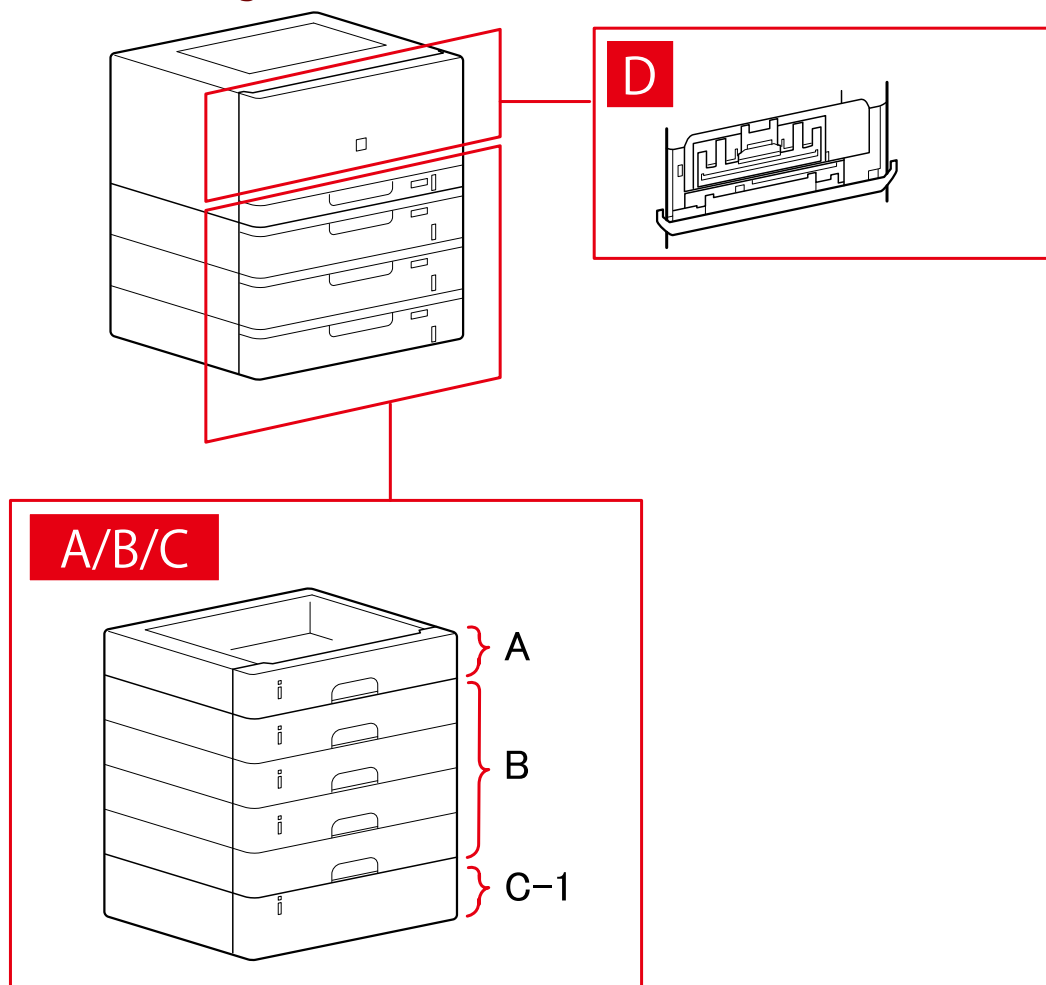
- ▶ Laser Printers(P. 58)
- ▶ iR-ADV(P. 59)
- ▶ iR-ADV PRO(P. 61)
- ▶ imagePRESS(P. 63)
- ▶ All-in-One Printers(P. 65)

 **NOTE**

- Some options may not be usable depending on the driver and device you are using.

Laser Printers

Paper Source Settings



[Paper Source] Dialog Box

[Standard Paper Source]

A-1 [Drawer x 1]

[Optional Drawer/Cassette]

B-1 [Drawer x 1]

B-2 [Drawer x 2]

B-3 [Drawer x 3]

B-4 [Drawer x 4]

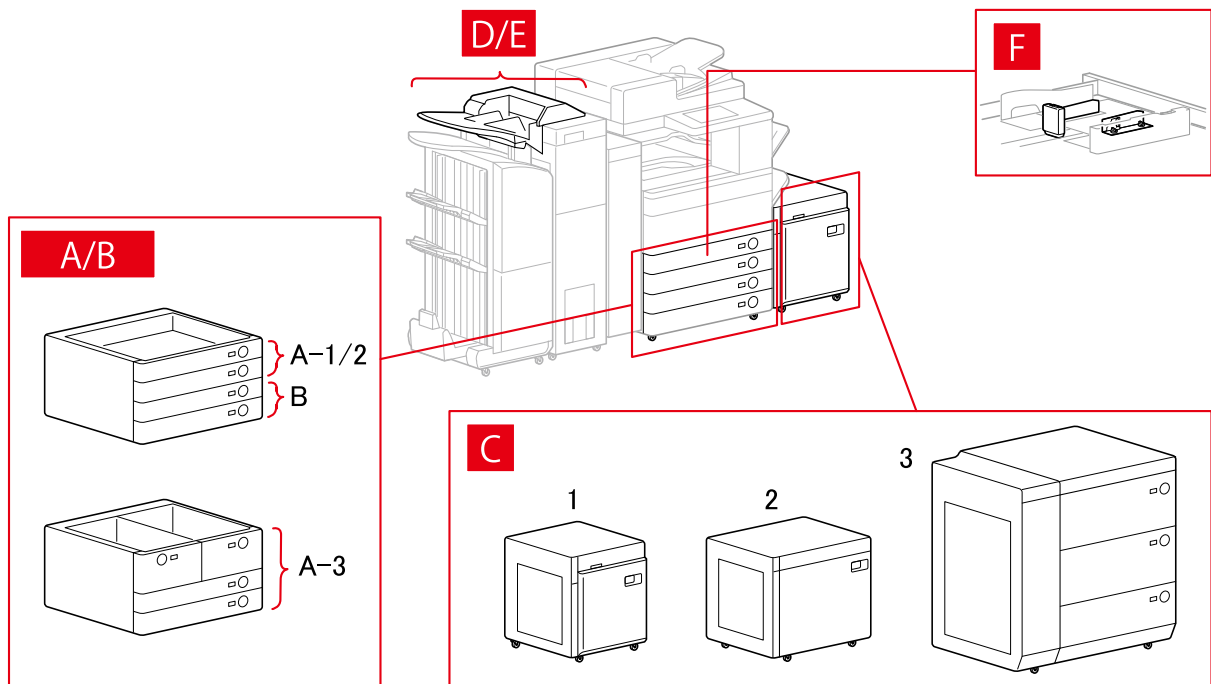
[Optional Deck]

C-1 [Paper Deck Unit]

D [Envelope Tray]

iR-ADV

Paper Source Settings



[Paper Source] Dialog Box

[Standard Paper Source]

A-1 [Drawer x 1]

A-2 [Drawer x 2]

A-3 [Deck x 2 + Drawer x 2]

[Optional Drawer/Cassette]

- B-1 [Drawer x 1]
- B-2 [Drawer x 2]
- B-3 [Drawer x 3]
- B-4 [1-Cassette Feeding Unit]
- B-5 [2-Cassette Feeding Unit]
- B-6 [3-Cassette Feeding Unit]
- B-7 [High Capacity Cassette Feeding Unit]

[Optional Deck]

- C-1 [Paper Deck Unit]
- C-2 [POD Deck Lite]
- C-3 [Multi-drawer Paper Deck]

[Inserter]

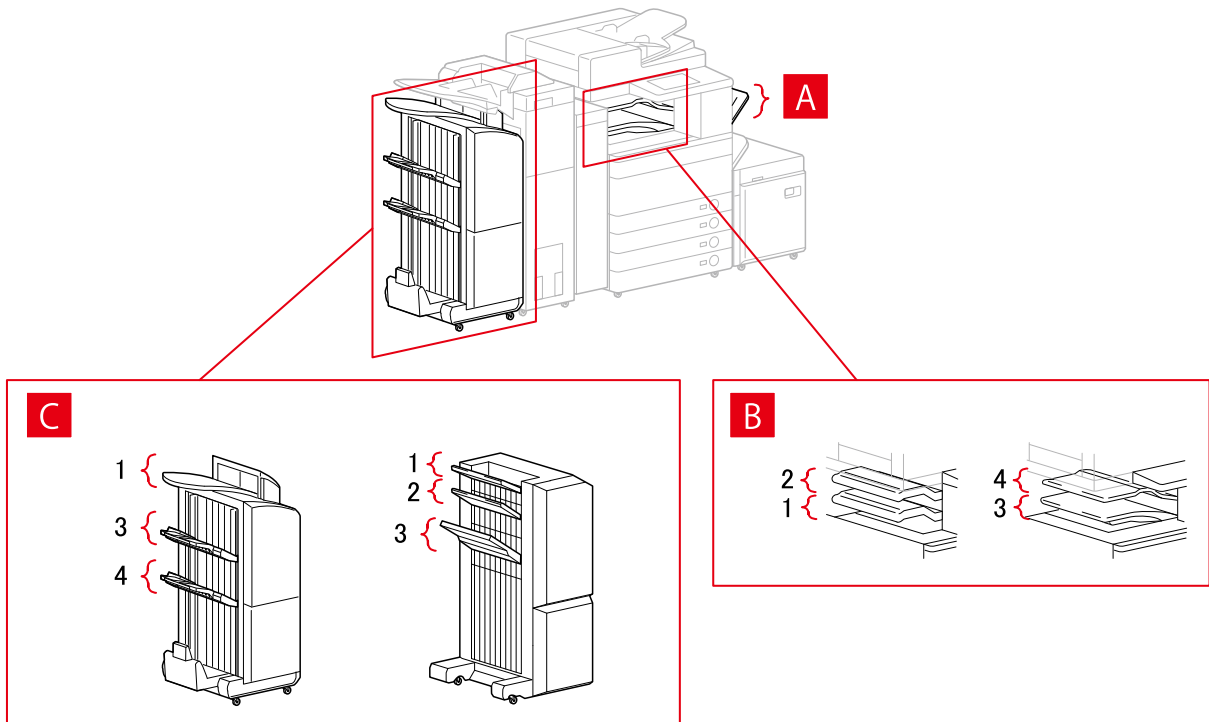
- D-1 [Document Insertion Unit (Tray x 2)]
- D-2 [Inserter of Paper Folding Unit/Document Insertion Unit (Tray x 1)]

E [Inserters of Paper Folding Unit]

[Envelope Feeder]

- F-1 [Drawer 1]
- F-2 [Drawer 2]

Output Destinations Settings

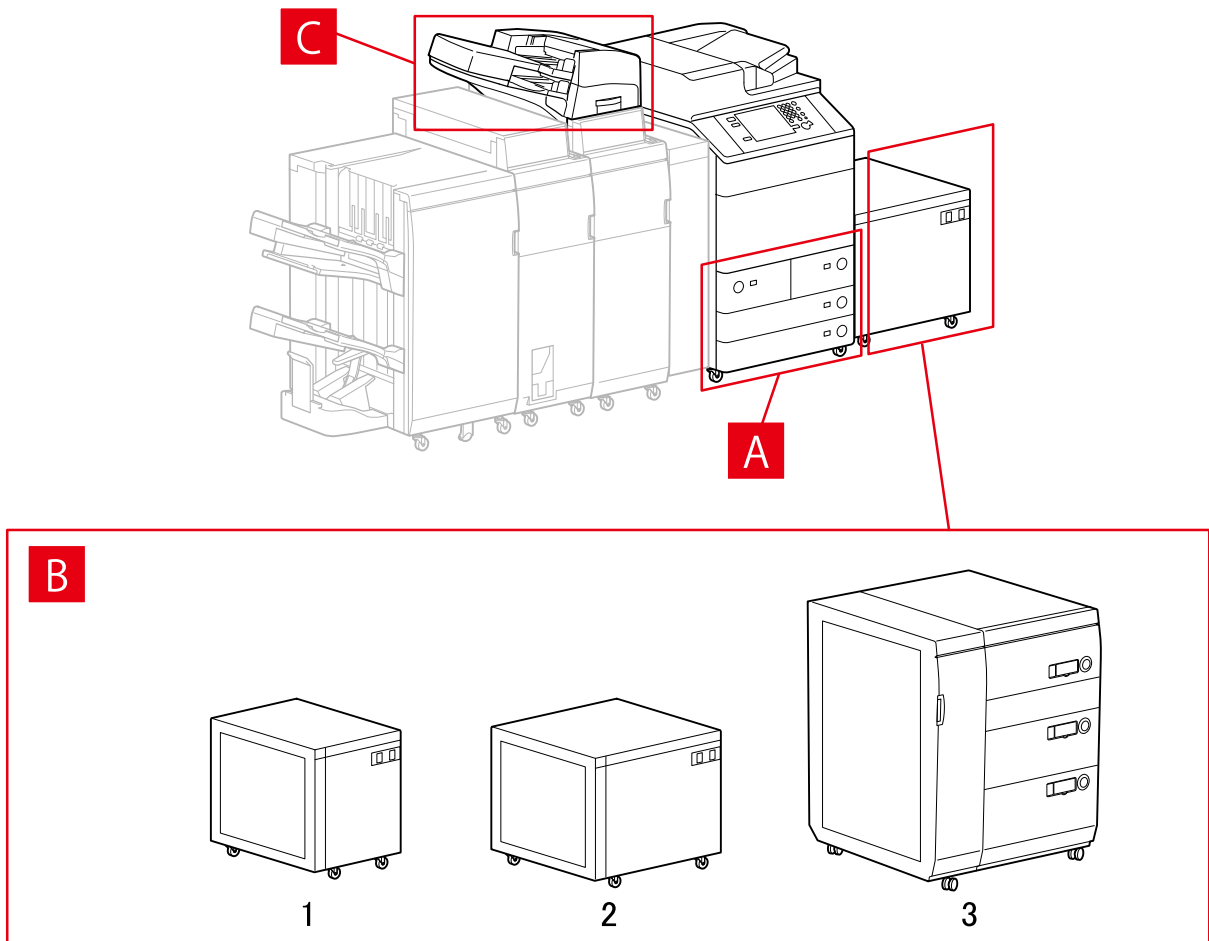


[Paper Output Settings] Dialog Box

- A-1 [Copy Tray]
- B-1 [Inner Finisher Tray]
- B-2 [Inner Finisher Additional Tray]
- B-3 [Inner Tray 1]
- B-4 [Inner Tray 2]
- C-1 [Finisher Tray 1 [No Collating]]
- C-2 [Finisher Tray 2 [No Collating]]
- C-3 [Finisher Tray 1]
- C-4 [Finisher Tray 2]

iR-ADV PRO

Paper Source Settings



[Paper Source] Dialog Box

[Standard Paper Source]

- A-1 [Deck x 2 + Drawer x 2]

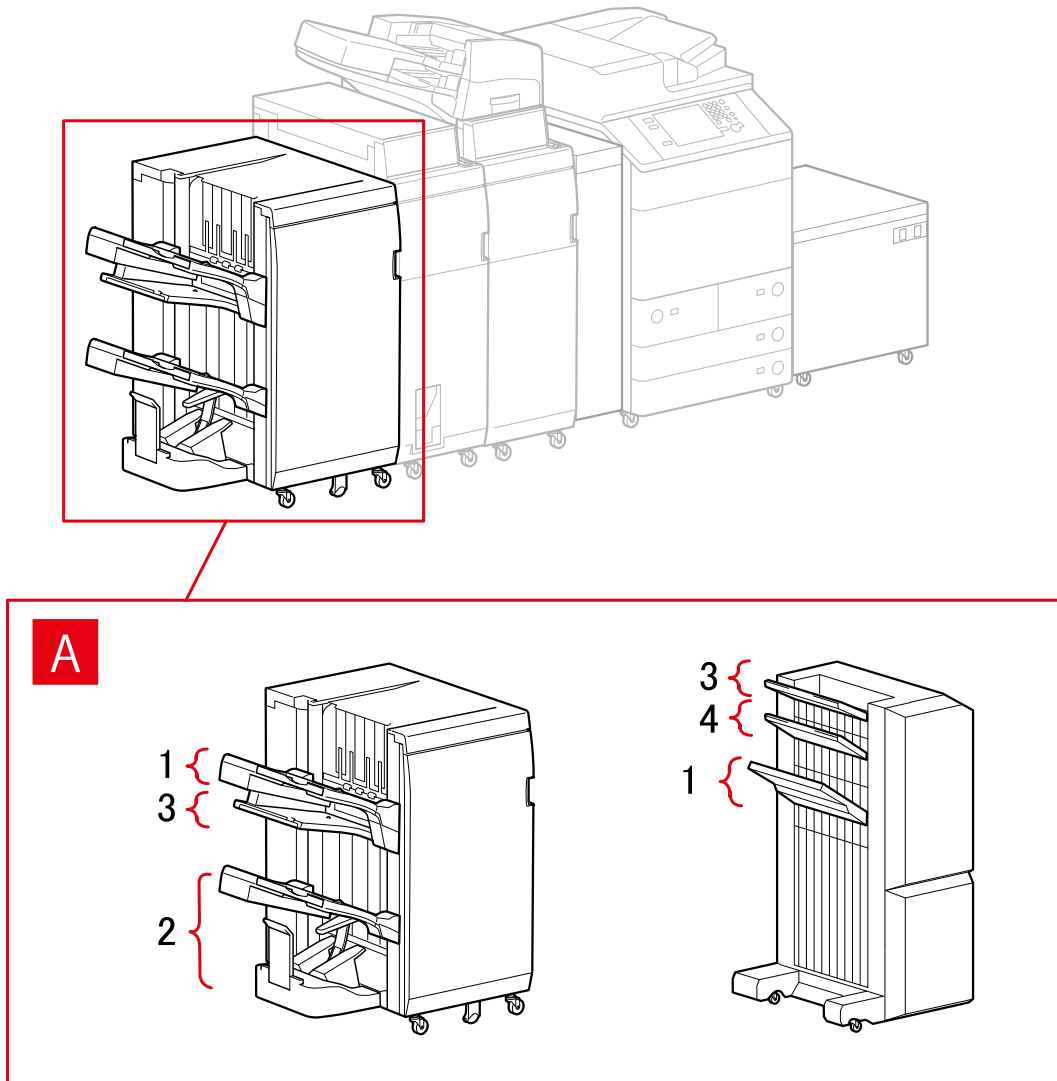
[Optional Deck]

- B-1 [Paper Deck Unit]
- B-2 [POD Deck Lite]
- B-3 [Multi-drawer Paper Deck]

[Inserter]

- C-1 [Document Insertion Unit]
- C-2 [Document Insertion Unit (Tray x 2)]
- C-3 [Inserter of Paper Folding Unit/Document Insertion Unit (Tray x 1)]

Output Destinations Settings



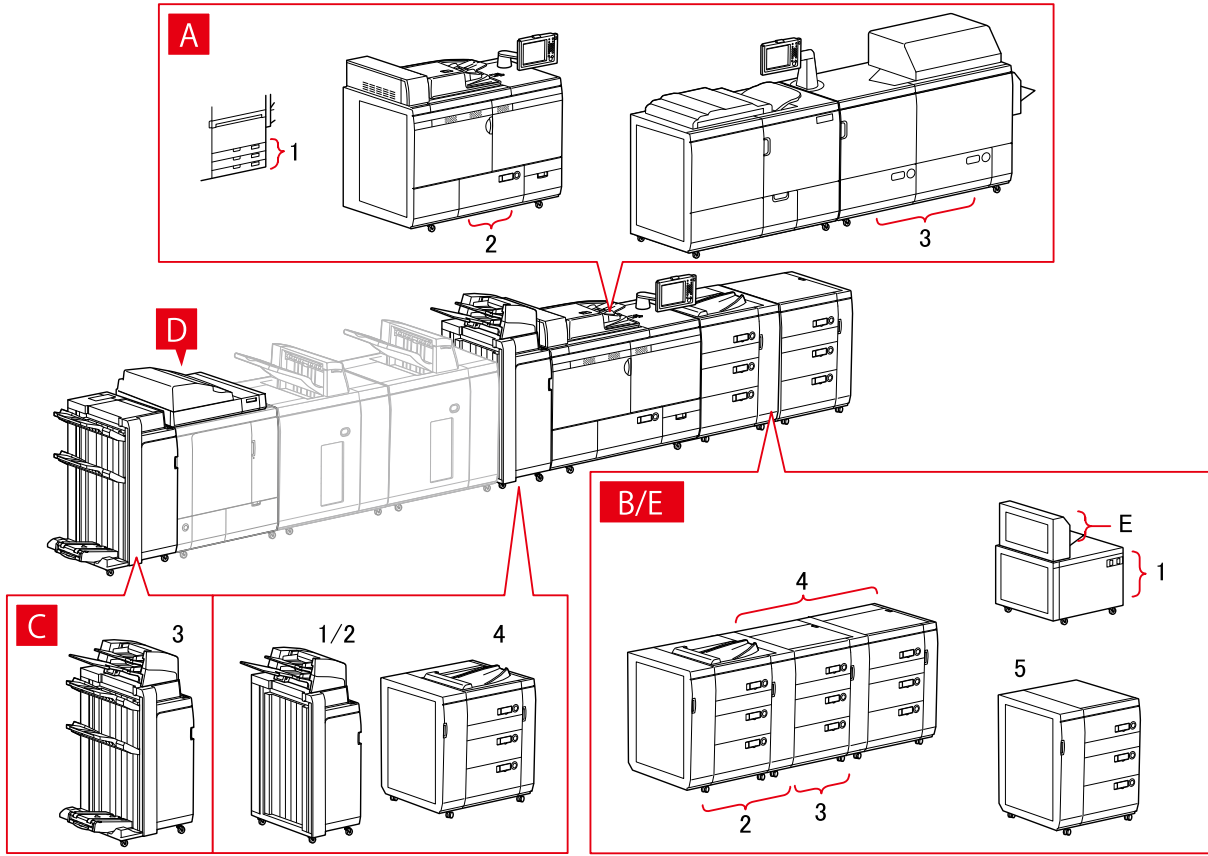
[Paper Output Settings] Dialog Box

Finisher Tray

- A-1 [Finisher Tray 1]
- A-2 [Finisher Tray 2]
- A-3 [Finisher Tray 1 [No Collating]]
- A-4 [Finisher Tray 2 [No Collating]]

imagePRESS

Paper Source Settings



[Paper Source] Dialog Box

[Standard Paper Source]

- A-1 [Drawer x 3]
- A-2 [Deck x 1]
- A-3 [Deck x 2]

[Optional Deck]

- B-1 [POD Deck Lite]
- B-2 [POD Deck]
- B-3 [POD Deck + Secondary POD Deck]
- B-4 [POD Deck + Secondary POD Deck x 2]
- B-5 [Multi-drawer Paper Deck]

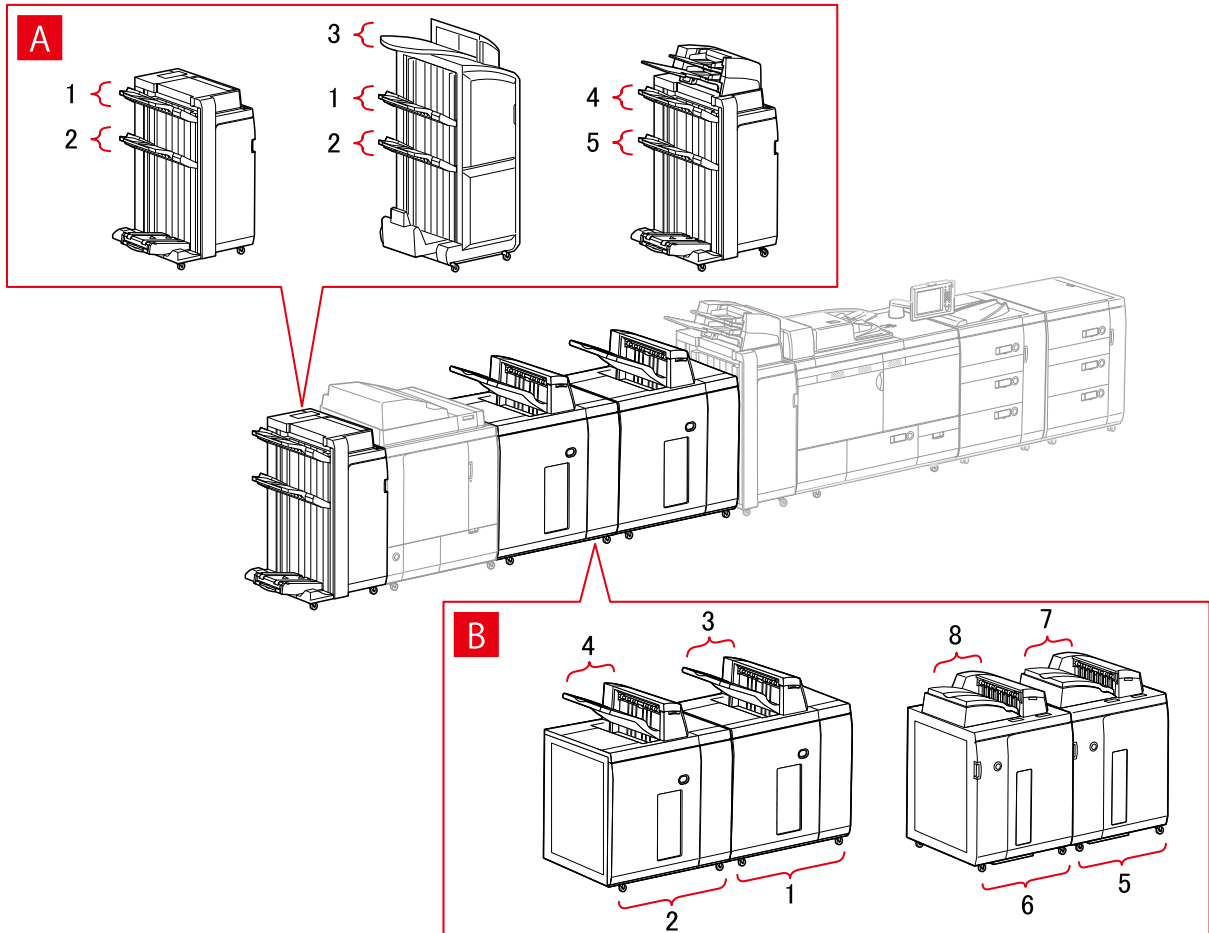
[Inserter]

- C-1 [Document Insertion Unit]
- C-2 [Document Insertion Unit (Tray x 2)]
- C-3 [Document Insertion Unit [iPR C7010VP/6010]]
- C-4 [Multi Drawer Document Insertion Unit]

D [Inserters of Perfect Binder]

E [Multi-purpose Tray]

Output Destinations Settings



[Paper Output Settings] Dialog Box

Finisher Tray

- A-1 [Finisher Tray 1]
- A-2 [Finisher Tray 2]
- A-3 [Finisher Tray 1 [No Collating]]
- A-4 [Finisher Tray 1 [iPR C7010VP/6010]]
- A-5 [Finisher Tray 2 [iPR C7010VP/6010]]

Stacker

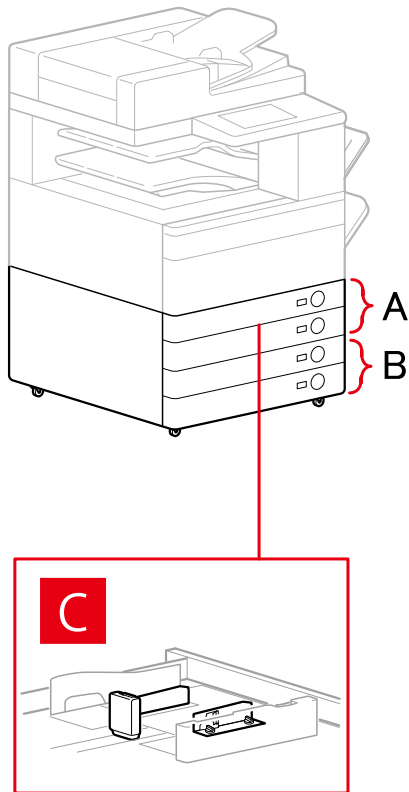
- B-1 [Stacker a [Stack]]
- B-2 [Stacker b [Stack]]
- B-3 [Stacker a [Output Tray]]
- B-4 [Stacker b [Output Tray]]
- B-5 [Stacker a [Stack] [iPR C7010VP/6010]]
- B-6 [Stacker b [Stack] [iPR C7010VP/6010]]

B-7 [Stacker a [Output Tray] [iPR C7010VP/6010]]

B-8 [Stacker b [Output Tray] [iPR C7010VP/6010]]

All-in-One Printers

Paper Source Settings



[Paper Source] Dialog Box

[Standard Paper Source]

A-1 [Drawer x 1]

A-2 [Drawer x 2]

[Optional Drawer/Cassette]

B-1 [Drawer x 1]

B-2 [Drawer x 2]

B-3 [Drawer x 3]

B-4 [1-Cassette Feeding Unit]

B-5 [2-Cassette Feeding Unit]

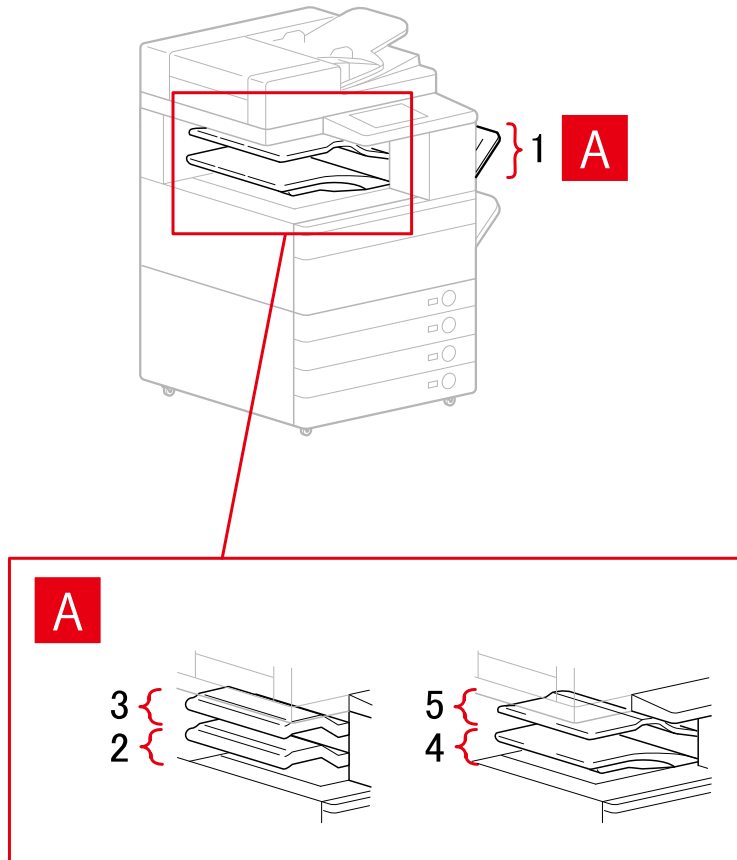
B-6 [3-Cassette Feeding Unit]

[Envelope Feeder]

C-1 [Drawer 1]

C-2 [Drawer 2]

Output Destinations Settings



[Paper Output Settings] Dialog Box

- A-1 [Copy Tray]
- A-2 [Inner Finisher Tray]
- A-3 [Inner Finisher Additional Tray]
- A-4 [Inner Tray 1]
- A-5 [Inner Tray 2]

Importing a Configuration Profile

This explains the procedure for importing an exported configuration profile file (*.typ) and setting the device information.

If you cannot acquire the device information, you can apply it by importing a configuration profile exported in an environment where the information could be acquired.



IMPORTANT

- If a configuration profile suitable for the device you are using is not selected, some of the device functions may not be usable.

Prerequisites

- Settings at the device
 - If the device is connected via a WSD port, [Use WSD Browsing] is already set to on.
 - If the device is connected by specifying a standard TCP/IP port, [Retrieve Printer Mngt. Information from Host] is already set to on.For details, refer to the manual of the device.
- When starting the computer, log on as a member of Administrators.

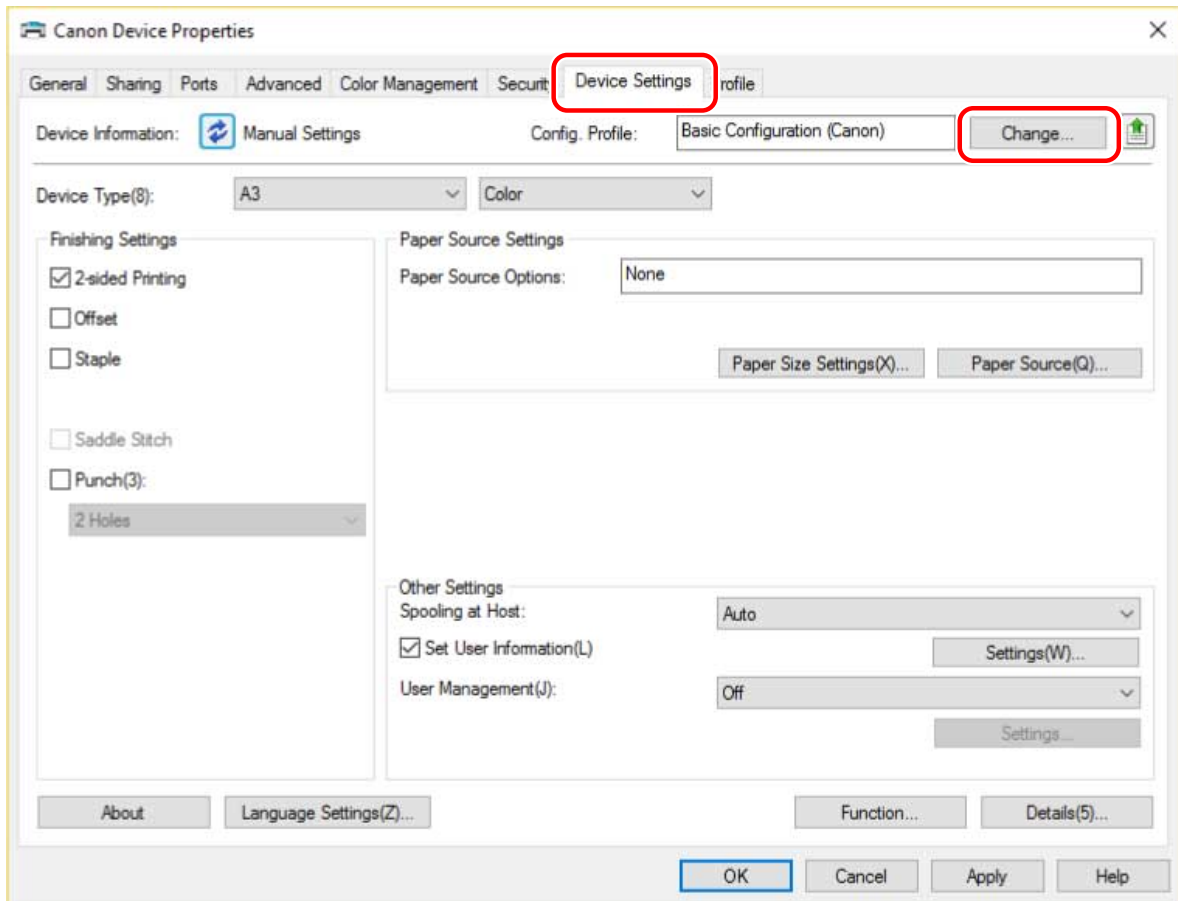
Procedures

1 Display [Devices and Printers] from the [Control Panel] of Windows.

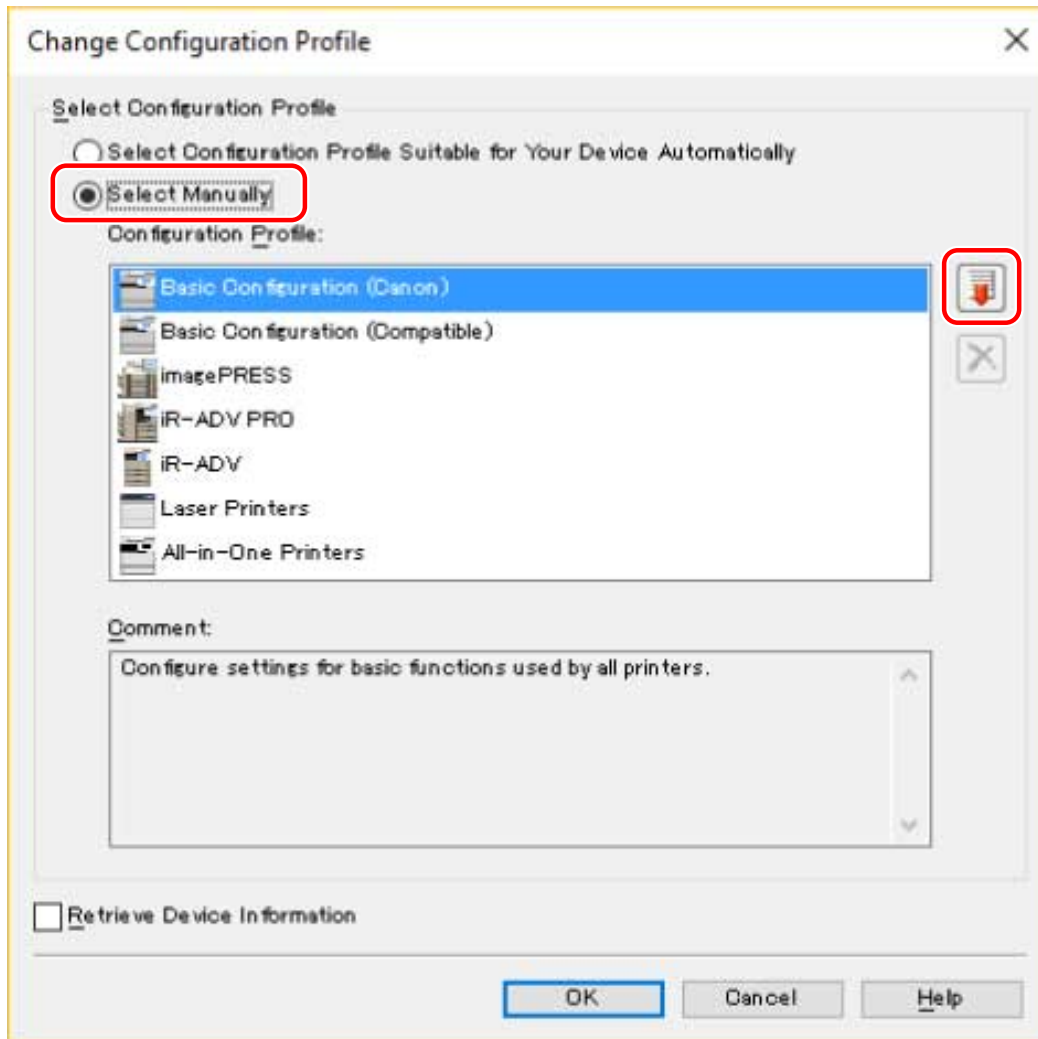
2 Right-click the icon of the device you are going to set → select [Printer properties] from the displayed menu.

If you are using the driver with multiple device models, select the model you are going to set after selecting [Printer properties].

3 Display the [Device Settings] sheet → click [Change].



4 Select [Select Manually] → click [] (Import Configuration Profile).



5 Select the configuration profile file to import → click [Open].

6 Click [OK] → click [OK] in the [Device Settings] sheet.

Updating/Uninstalling the Driver

Updating/Uninstalling the Driver	71
Updating the Driver	72
Uninstalling the Driver	74
Uninstalling the Shortcut to the Online Manual	76

Updating/Uninstalling the Driver

This explains the driver updating and uninstalling methods.

It also explains the procedure for uninstalling the shortcut to the online manual.

- ▶ **Updating the Driver(P. 72)**
- ▶ **Uninstalling the Driver(P. 74)**
- ▶ **Uninstalling the Shortcut to the Online Manual(P. 76)**

Updating the Driver

You can update installed drivers to their newer versions.

It is recommended that you download the latest drivers corresponding to new functions and/or operating systems, and update them.

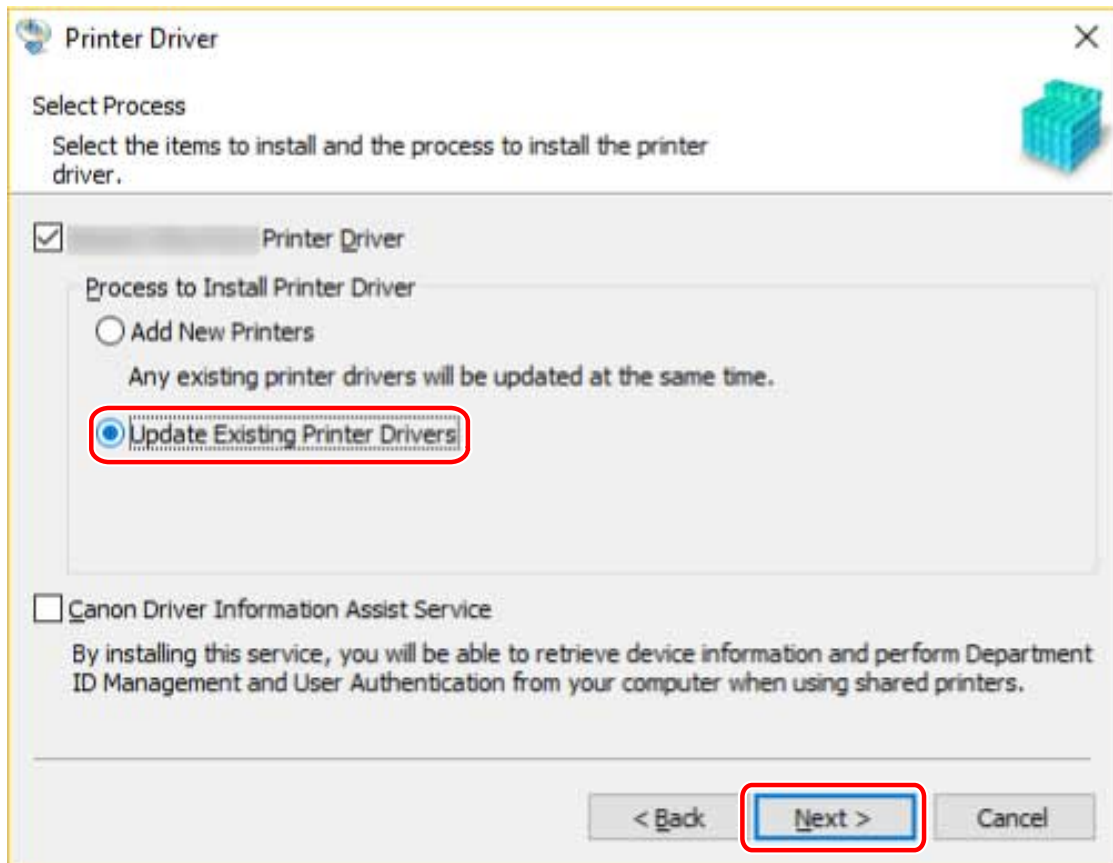
You can update already installed drivers at the same time as installing a driver for a new device, but here the procedure for updating installed drivers only is explained.

Prerequisites

- Acquire the installer
You can download the update installer from the Canon web site (<http://www.canon.com/>).
- Connect the device by USB cable and turn the power on (when updating a driver installed with a USB connection).
- When starting the computer, logon as a member of Administrators.
- [Desktop] screen display (when using Windows 8.1/Server 2012 R2)

Procedures

- 1 Start the installer → proceed according to the instructions on the screen.**
- 2 Select [Custom] for [Printer Setup] → click [Next].**
- 3 Select [Update Existing Printer Drivers] → click [Next].**



4 Check [Printer List for Driver Installation] → click [Start].

If there are devices whose drivers you do not intend to update, click [Select Printers to Update] → deselect the devices from [Printer List] → click [OK].

5 Click [Exit].

Restart your computer when a message is displayed prompting you to do so.

When updating a driver on a print server, update the drivers on clients as well, referring to the procedure for setting computers as shared printer clients.

Related Topics

- ▶ Installing by Discovering Devices on a Network(P. 21)
- ▶ Installing by Specifying a Port or IP Address(P. 26)
- ▶ Installing Using a USB Connection(P. 31)
- ▶ Setting up Clients of a Shared Printer(P. 44)
- ▶ Making the Device Functions Usable(P. 51)

Uninstalling the Driver

This explains the procedure for uninstalling a driver that is no longer needed. There are two methods: starting the uninstaller from Windows, and using the uninstaller in the accompanying CD-ROM or downloaded driver folder.

Prerequisites

- When starting the computer, logon as a member of Administrators.
- Display the [Desktop] screen (when using Windows 8.1/Server 2012/Server 2012 R2).

Procedures

1 Start the uninstaller of the driver.

- **When using Windows functions**

In Windows 10/Server 2016

- (1) Display [Settings] > [Apps] or [System] > [Apps & features].
- (2) Select the driver you want to uninstall → click [Uninstall].

In operating systems other than the above

- (1) Display [Control Panel] > [Programs] > [Uninstall a program].
- (2) Select the driver you want to uninstall → click [Uninstall/Change].

- **When using the uninstall file provided with the driver**

Double-click one of the following files.

When using a file in an installed driver folder

Use [UNINSTAL.exe] corresponding to the driver in the following folder.

<install folder>\Canon\PrnUninstall

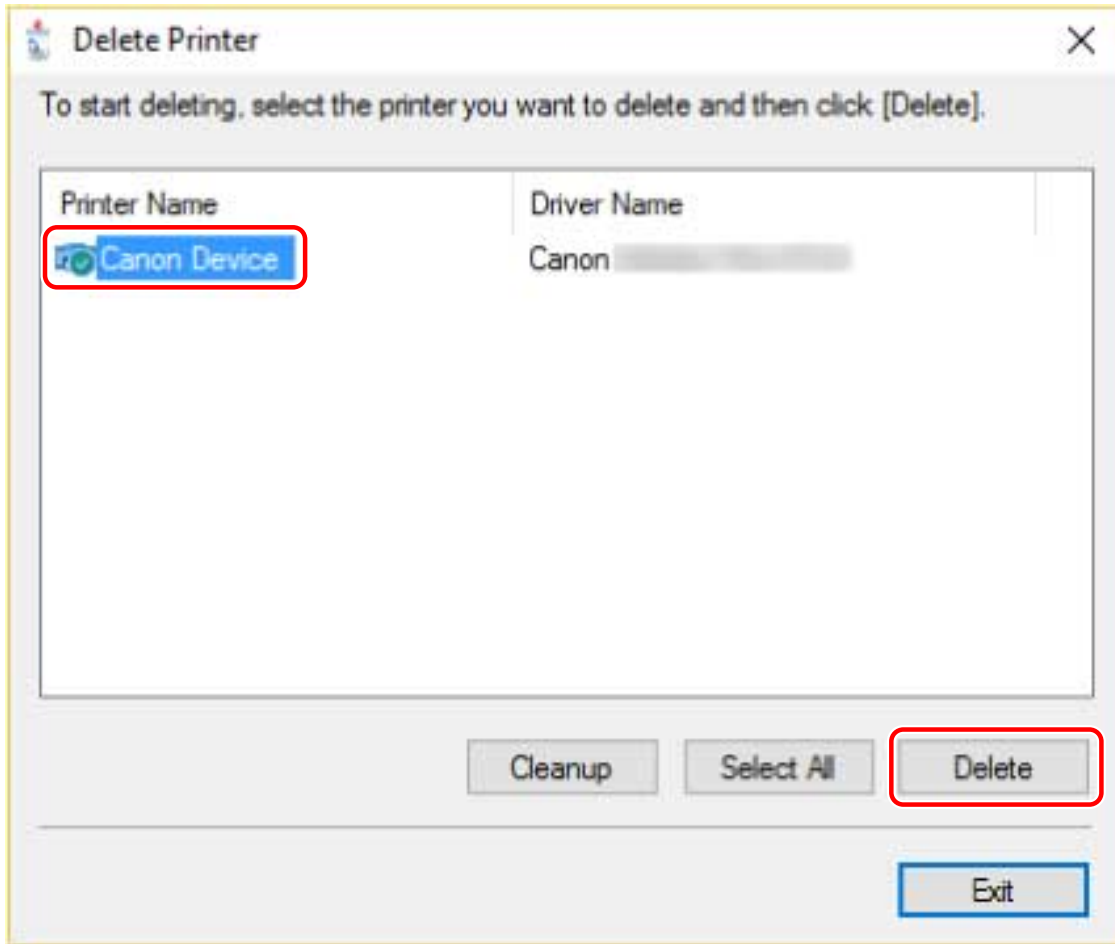
When using the file in the accompanying CD-ROM or downloaded driver folder

Use the following file in the folder of the driver you have acquired.

misc\UNINSTAL.exe

2 Select the name of the device you want to uninstall → click [Delete].

[Cleanup]: Click this to simultaneously delete all files and registry information relating to all of the drivers displayed in the list, not just the selected driver. Click [Delete] to perform a normal uninstallation of the driver.



3 In the screen for confirming whether to delete the printer, click [Yes].

A confirmation message asking whether you want to delete the driver package as well may be displayed.

4 In the [Delete Printer] screen, click [Exit].

Uninstalling the Shortcut to the Online Manual

This explains the procedure for uninstalling the shortcut to the website where online manuals for Canon products are available, which is created with the supplied CD-ROM.

1 Insert the supplied CD-ROM into your computer.

2 Click [Start Software Programs].

If the CD-ROM menu is not displayed, click the subsequent "Open details".

Start the installer by following the procedure below.

- If a message prompting you to insert a CD-ROM is displayed or if Windows Explorer is displayed: Execute [MInst.exe].
- If nothing is displayed: Double-click the CD-ROM icon.
- If the above [MInst.exe] does not exist: Execute [Setup.exe] in the driver folder of the CD-ROM.

3 Click [Start] for [Manual Uninstaller] in the [Start Software Programs] screen.

4 Click [Next].

The uninstallation operation begins.

5 Click [Quit].

6 In the [Start Software Programs] screen, click [Back].

7 Click [Exit] in the setup screen.

Printing

Printing	78
Printing from a Computer	79
How to Refer to the Help	82

Printing

This explains the procedures for basic printing operations. You can check the help for details on how to use the driver.

- ▶ **Printing from a Computer(P. 79)**
- ▶ **How to Refer to the Help(P. 82)**

Printing from a Computer

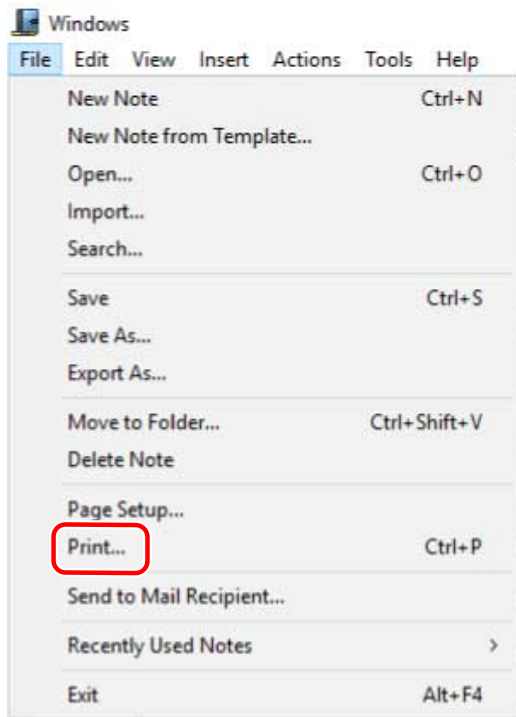
This explains the basic procedure for printing configuring the printer driver settings.



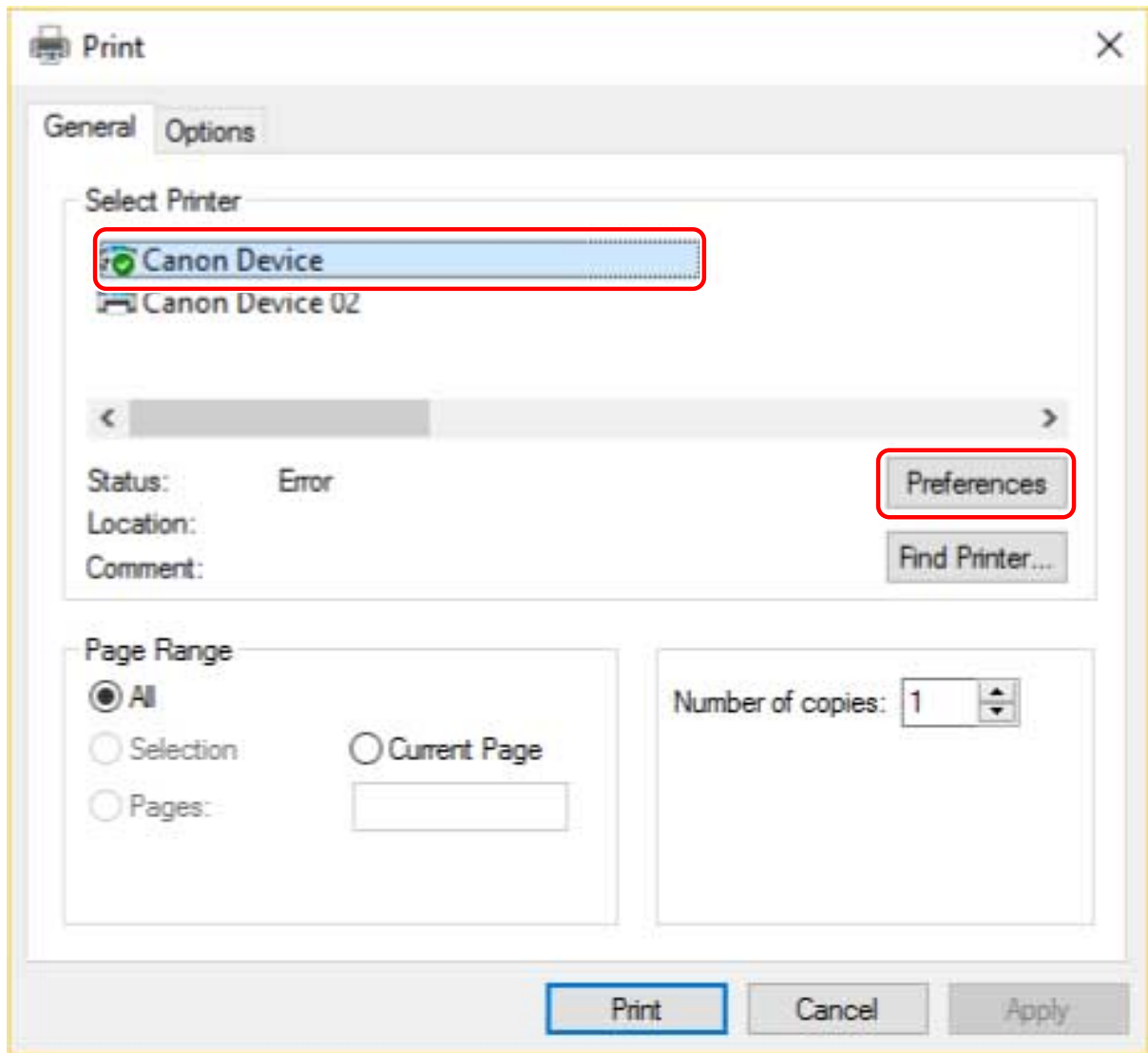
NOTE

- When using a device connected via a WSD port, enable [Use WSD] at the device.

1 Select [Print] from the menu of the application.

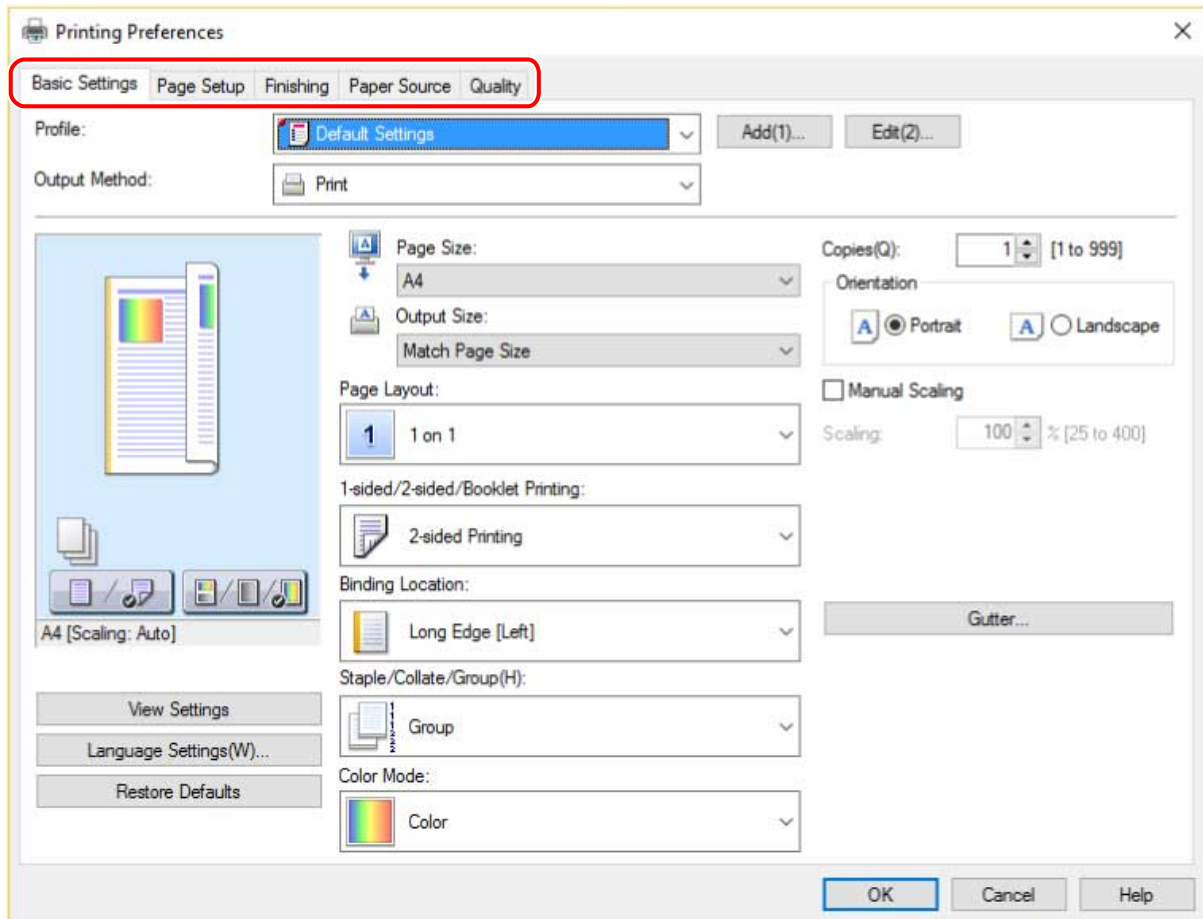


2 In the print screen, select the device you are using → click [Preferences], [Printer properties], or [Properties].



3 In the print settings screen of the driver, set the required items.

If necessary, switch sheets and configure relevant settings.

**NOTE**

- If the function you want to use is not displayed in the print settings screen, configure the print settings after enabling the functions of the device by acquiring the device information etc.

4 Click [OK].

5 In the print screen, click [Print] or [OK].

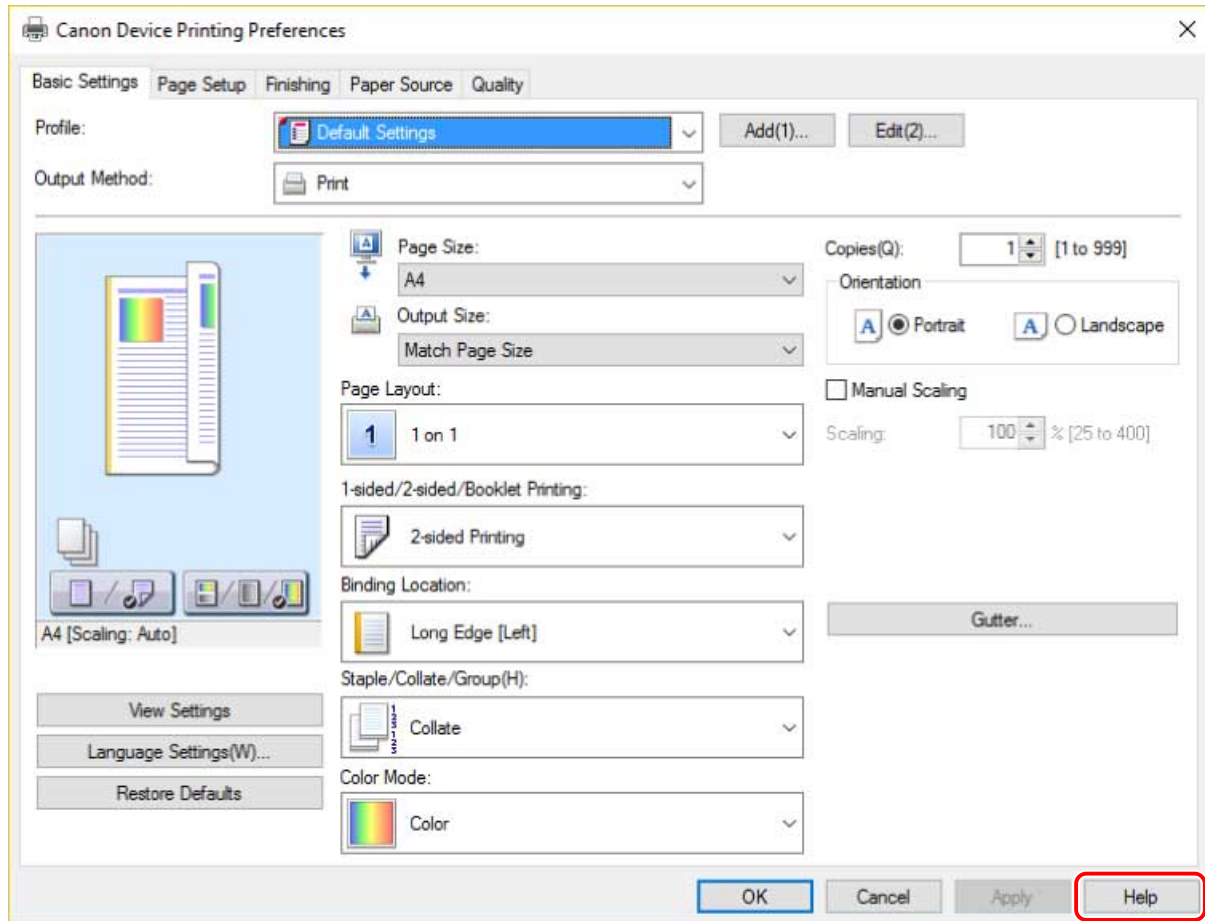
Related Topics

- ▶ [About This Driver\(P. 9\)](#)
- ▶ [Setting Device Information\(P. 52\)](#)
- ▶ [How to Refer to the Help\(P. 82\)](#)

How to Refer to the Help

For details about how to use the driver and each of the functions, refer to the help.

The help is displayed by clicking [Help] in the print settings screen of the driver.



Troubleshooting

Troubleshooting	84
Cannot discover a device connected via a WSD port	85

Troubleshooting

This explains solutions to common problems.

- ▶ **Cannot discover a device connected via a WSD port(P. 85)**

Cannot discover a device connected via a WSD port

A number of causes can be considered. Change the settings as required while referring to each "Remedy."

Cause 1.

The device settings are incorrect.

Remedy

Check whether the following have been set at the device. If they have not been set, change the settings or install the appropriate driver.

- The settings for both [Use WSD] and [Multicast Discovery Settings] are enabled.
- [PDL Selection (Plug and Play)] and the page description language of the driver match.

For details about the setting method for the page description language (plug and play) function of the device, refer to the manual of the device.

Cause 2.

The network settings of the operating system are incorrect.

Remedy

Check whether the necessary settings have been configured in the network settings of the operating system. If they have not been set, change the settings.

In Windows 10/Server 2016

Display [Settings] > [Network & Internet] → click an icon displayed in the connection method to the current network → enable [Make this PC discoverable].

In Windows 8.1/Server 2012/Server 2012 R2

From the [Desktop] screen, display the charm bar → [Settings] > [Change PC settings] > [Network] → click an icon displayed in the connection method to the current network → enable [Find devices and content].

In Windows 7/Server 2008 R2

Display [Control Panel] > [Network and Internet] > [Network and Sharing Center] → click [Change advanced sharing settings] → select [Public] > [Turn on network discovery].

In Windows Server 2008

Display [Control Panel] > [Network and Internet] > [Network and Sharing Center] → click the button displayed to the right of [Network Discovery] in [Sharing and Discovery] → select [Turn on network discovery].

Cause 3.

The device is not displayed in the discovery results because the driver corresponding to the discovered device is already installed.

Remedy

If you want to install a driver by discovering a device, uninstall the driver first, then discover it again.

Related Topics

- ◉ [Installing Using a WSD Port\(P. 37\)](#)
- ◉ [Uninstalling the Driver\(P. 74\)](#)

This Font Software is licensed under the SIL Open Font License, Version 1.1.

This license is copied below, and is also available with a FAQ at: <http://scripts.sil.org/OFL>

SIL OPEN FONT LICENSE Version 1.1 - 26 February 2007

PREAMBLE

The goals of the Open Font License (OFL) are to stimulate worldwide development of collaborative font projects, to support the font creation efforts of academic and linguistic communities, and to provide a free and open framework in which fonts may be shared and improved in partnership with others.

The OFL allows the licensed fonts to be used, studied, modified and redistributed freely as long as they are not sold by themselves. The fonts, including any derivative works, can be bundled, embedded, redistributed and/or sold with any software provided that any reserved names are not used by derivative works. The fonts and derivatives, however, cannot be released under any other type of license. The requirement for fonts to remain under this license does not apply to any document created using the fonts or their derivatives.

DEFINITIONS

"Font Software" refers to the set of files released by the Copyright Holder(s) under this license and clearly marked as such. This may include source files, build scripts and documentation.

"Reserved Font Name" refers to any names specified as such after the copyright statement(s).

"Original Version" refers to the collection of Font Software components as distributed by the Copyright Holder(s).

"Modified Version" refers to any derivative made by adding to, deleting, or substituting -- in part or in whole -- any of the components of the Original Version, by changing formats or by porting the Font Software to a new environment.

"Author" refers to any designer, engineer, programmer, technical writer or other person who contributed to the Font Software.

PERMISSION & CONDITIONS

Permission is hereby granted, free of charge, to any person obtaining a copy of the Font Software, to use, study, copy, merge, embed, modify, redistribute, and sell modified and unmodified copies of the Font Software, subject to the following conditions:

- 1) Neither the Font Software nor any of its individual components, in Original or Modified Versions, may be sold by itself.
- 2) Original or Modified Versions of the Font Software may be bundled, redistributed and/or sold with any software, provided that each copy contains the above copyright notice and this license. These can be included either as stand-alone text files, human-readable headers or in the appropriate machine-readable metadata fields within text or binary files as long as those fields can be easily viewed by the user.
- 3) No Modified Version of the Font Software may use the Reserved Font Name(s) unless explicit written permission is granted by the corresponding Copyright Holder. This restriction only applies to the primary font name as presented to the users.
- 4) The name(s) of the Copyright Holder(s) or the Author(s) of the Font Software shall not be used to promote, endorse or advertise any Modified Version, except to acknowledge the contribution(s) of the Copyright Holder(s) and the Author(s) or with their explicit written permission.
- 5) The Font Software, modified or unmodified, in part or in whole, must be distributed entirely under this license, and must not be distributed under any other license. The requirement for fonts to remain under this license does not apply to any document created using the Font Software.

TERMINATION

This license becomes null and void if any of the above conditions are not met.

DISCLAIMER

THE FONT SOFTWARE IS PROVIDED "AS IS", WITHOUT WARRANTY OF ANY KIND, EXPRESS OR IMPLIED, INCLUDING BUT NOT LIMITED TO ANY WARRANTIES OF MERCHANTABILITY, FITNESS FOR A PARTICULAR PURPOSE AND NONINFRINGEMENT OF COPYRIGHT, PATENT, TRADEMARK, OR OTHER RIGHT. IN NO EVENT SHALL THE COPYRIGHT HOLDER BE LIABLE FOR ANY CLAIM, DAMAGES OR OTHER LIABILITY, INCLUDING ANY GENERAL, SPECIAL, INDIRECT, INCIDENTAL, OR CONSEQUENTIAL DAMAGES, WHETHER IN AN ACTION OF CONTRACT, TORT OR OTHERWISE, ARISING FROM, OUT OF THE USE OR INABILITY TO USE THE FONT SOFTWARE OR FROM OTHER DEALINGS IN THE FONT SOFTWARE.