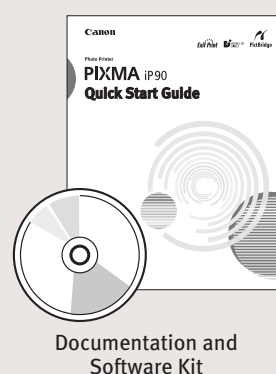
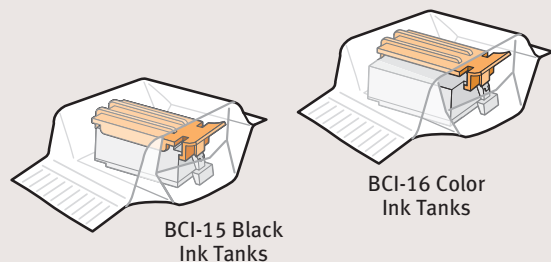
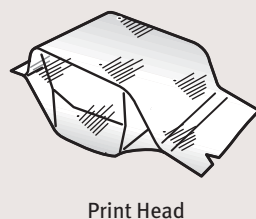
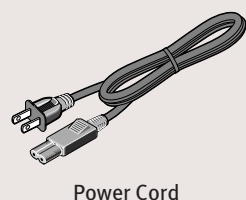
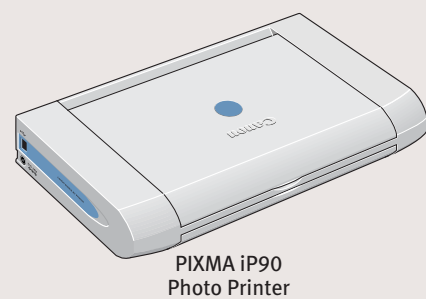


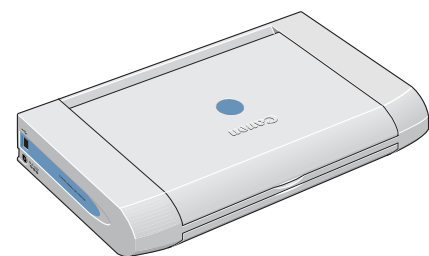
1 Unpack the Printer

- Carefully remove all items from the box.

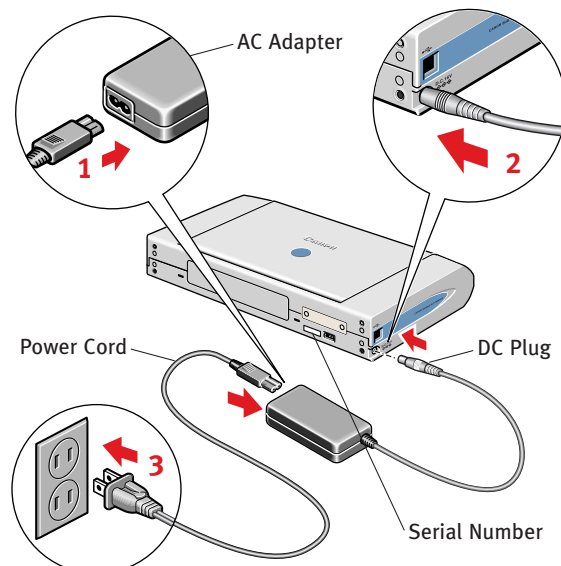


2 Prepare the Printer

- Remove the shipping materials from the printer.

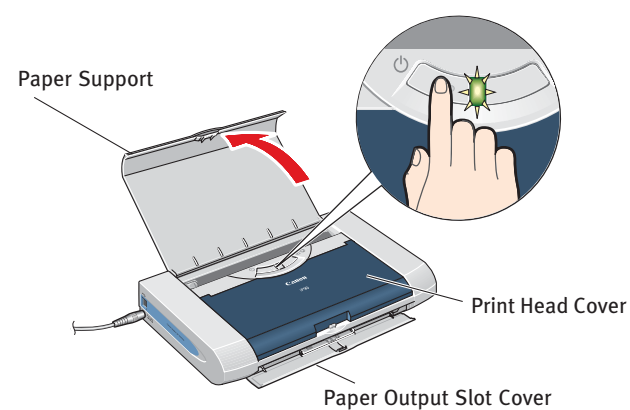


- Plug the Power Cord into the AC Adapter. Connect the DC plug to the printer. Plug the Power Cord into a power outlet.



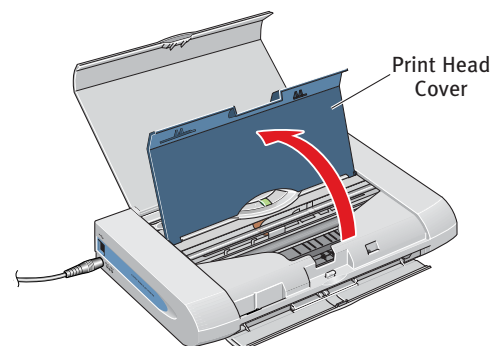
NOTE: You will need the Serial Number to register the product.

- Lift open the Paper Support and **TURN THE PRINTER ON**. The printer will initialize.



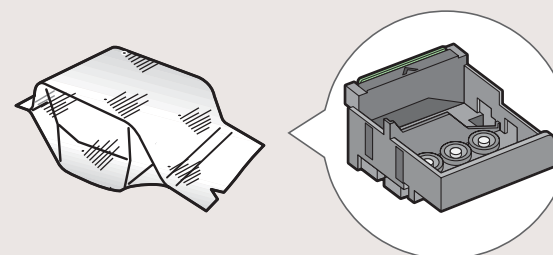
IMPORTANT: Do not open the Print Head Cover before the printer has finished initializing. Wait until the POWER lamp remains fully lit.

- After the printer finishes initializing, open the Print Head Cover.



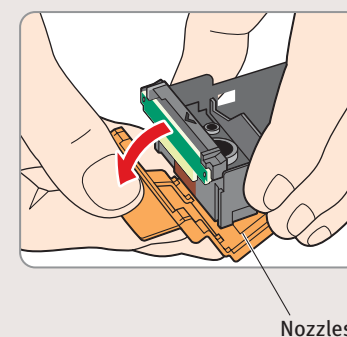
3 Install the Print Head

- Remove the Print Head from its package.

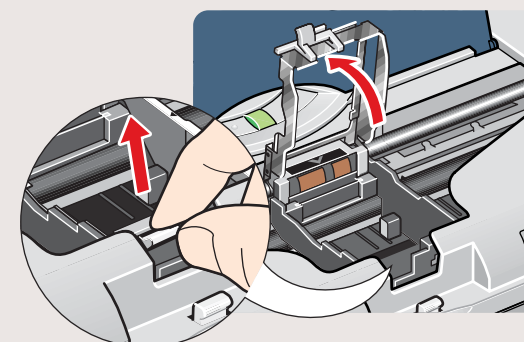


- Remove the Protective Cap from the Print Head.

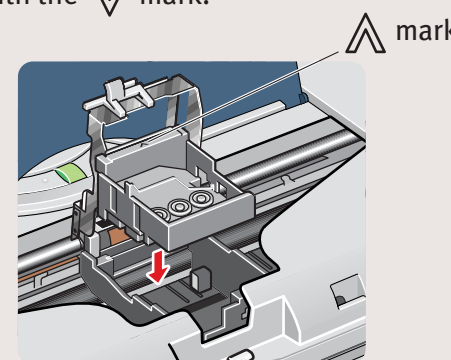
NOTE: Do not touch the Print Head Nozzles.



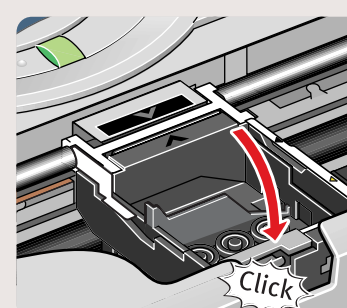
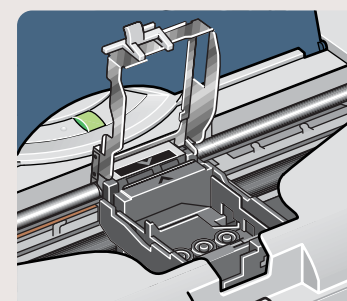
- Press in on the Lock Button and raise the gray Lock Lever.



- Place the Print Head into the holder by aligning the **▲** mark with the **▼** mark.



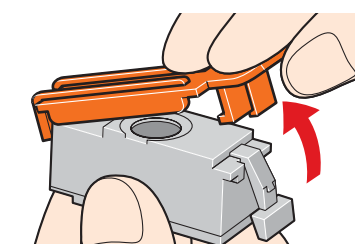
- Lower the Lock Lever until it clicks into place.



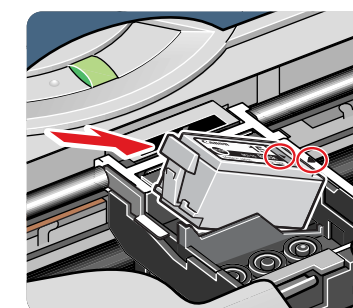
4 Install the Ink Tanks

- Remove the Black Ink Tank (BCI-15 Black) from its package, and pull off the Protective Cap.

NOTE: To avoid spilling ink, do not touch the bottom of the tank once you have removed the Protective Cap.

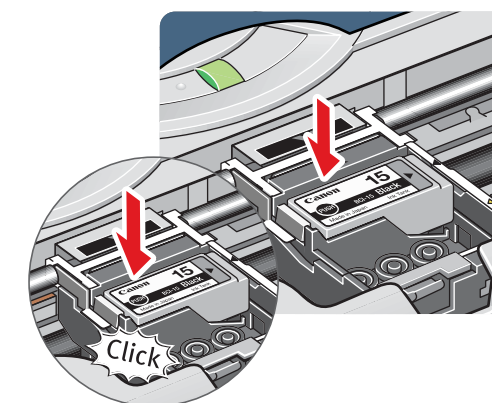


- Insert the Black Ink Tank into the back slot aligning the **▶** mark with the **◀** mark.



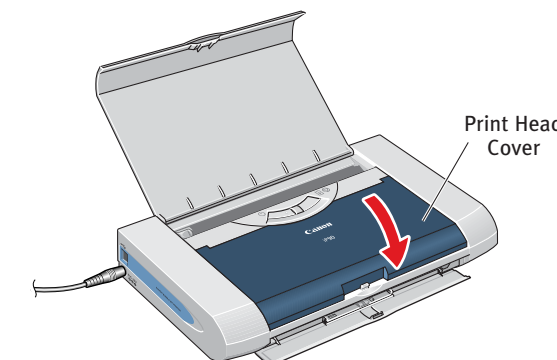
- Press on the **PUSH** until the Ink Tank clicks into place.

IMPORTANT: For correct printer operation, make sure ink tanks are secure in slots.



- Repeat the procedure for the Color Ink Tank (BCI-16 Color), inserting it into the front slot.

- Close the Print Head Cover.



NOTE: The printer will perform a Print Head cleaning after the cover is closed. Wait until the process is complete before proceeding.

Continue with Step 5
on side two.



5 Windows® Printer Driver Installation

5 Macintosh® Printer Driver Installation

Windows

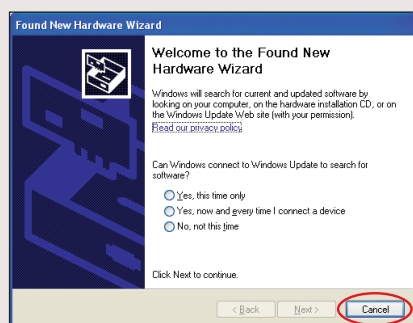
1 TURN THE PRINTER OFF.

2 Turn the computer on and start Windows.

NOTE:

- For Windows® XP or Windows 2000, log on to Windows as a member of Administrator's group before continuing.
- Close any open software applications including anti-virus, computer security and other software.

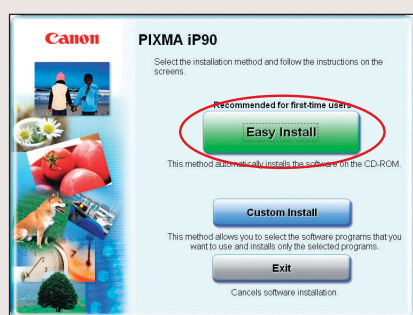
IMPORTANT: If you see the Found New Hardware Wizard, click **Cancel**.



3 Insert the "Setup Software & User's Guide" CD-ROM. The setup program should run automatically.

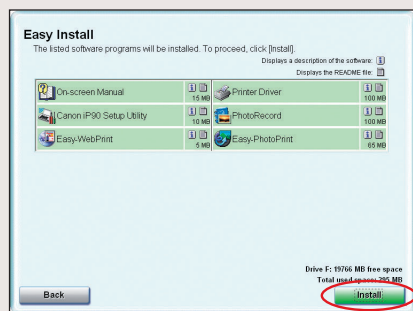
NOTE: If the setup program does not run automatically, Click **Start**, then **Run**, then type **D:/Msetup4.exe**, where D is your CD-ROM drive.

4 When the main menu appears, click **Easy Install** and follow the on-screen instructions.



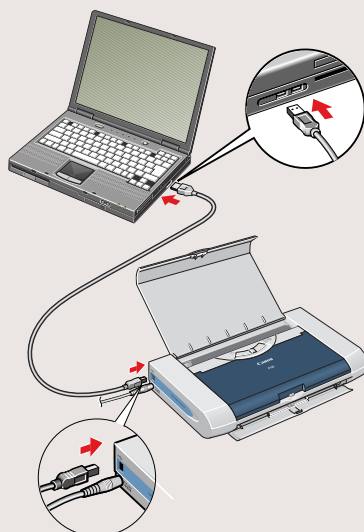
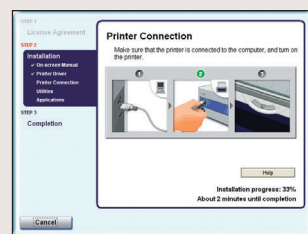
NOTE: Select **Easy Install** in order to install application software, electronic manual, utility and printer drivers. Select **Custom Install** in order to choose the options you would like to install.

5 When the "Easy Install" window appears, click **Install**.



6 Read the License Agreement, then click **Yes** to continue. Installation of the printer driver and on-screen manuals will begin.

7 When the "Printer Connection" window appears, connect the USB cable to the computer and the other end to the printer.

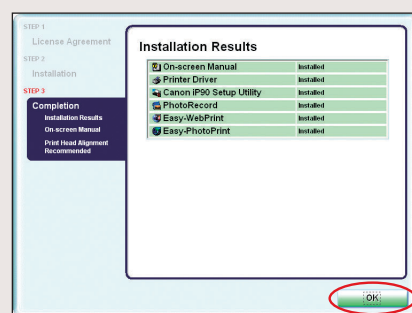


NOTE: When performing infrared communication, make the IrDA port of each other's device stand opposite to each other. Distance between the IrDA ports should be 31.5 inch (80 cm) or less.

8 TURN THE PRINTER ON.

IMPORTANT: If your computer cannot detect a computer port, refer to "Troubleshooting" instructions in the *Quick Start Guide*.

9 Follow the on-screen instructions to install the remaining software. When the "Installation Results" window appears, click **OK**.



10 Follow the on-screen instructions to register your product.

11 When the "Installation completed successfully" window appears, click **Exit**.

NOTE: If a message prompting you to restart the computer appears, check the check box and click **Restart**.

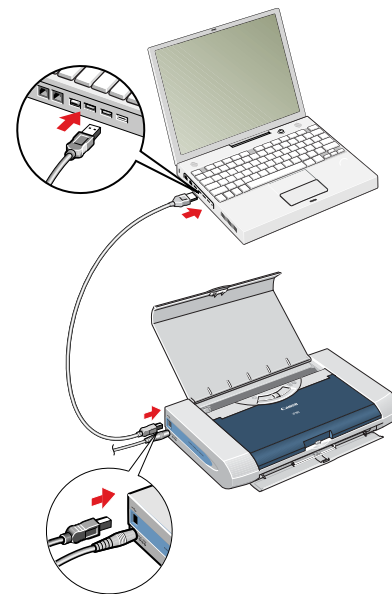


NOTE: If print quality is not satisfactory after installing the printer, you may need to align the Print Head. Refer to "Aligning the Print Head" instructions in the *Quick Start Guide*.

Macintosh

NOTE: The screens below refer to Mac OS X v. 10.3.x installation. Screens may differ depending on the operating system you are using.

1 Connect the end of the USB cable to the computer, the other to the printer.

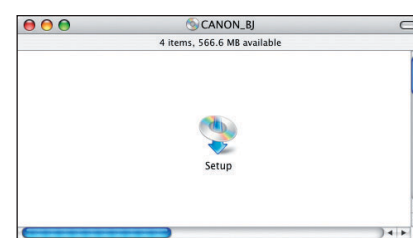


2 Turn on your Mac.

3 Insert the "Setup Software & User's Guide" CD-ROM.

NOTE: If the CD-ROM folder does not open automatically, double-click the CD-ROM icon on the desktop.

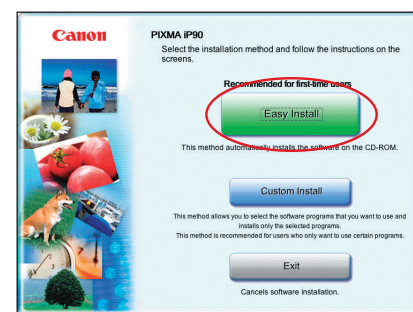
4 Double-click the **Setup** icon.



5 When the "Authenticate" screen appears, enter your administrator name and password. If you do not know your administrator name or password, click **?**, then follow the on-screen instructions.

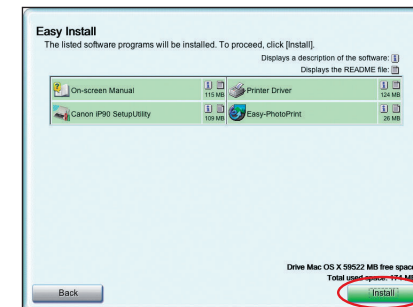


6 When the main menu appears, click **Easy Install** and follow on-screen instructions.



NOTE: Select **Easy Install** in order to install application software, electronic manual, utility and printer drivers. Select **Custom Install** in order to choose the options you would like to install.

7 When the "Easy Install" screen appears, click **Install**.

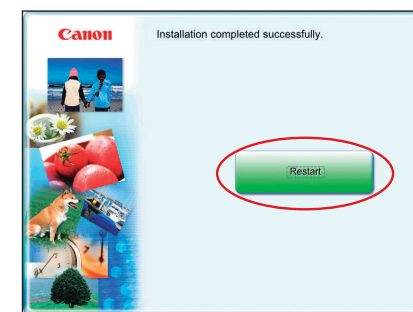


8 Read the License Agreement, then click **Yes** to continue. Installation of the printer driver and on-screen manuals will begin.

9 Follow the on-screen instructions to install the remaining software.

10 Follow the on-screen instructions to register your product.

11 When the "Installation completed successfully" screen appears, click **Restart**.



12 After restarting the computer, start Printer Setup Utility (start "Print Center" when you use Mac OS X V10.2.x) and then check that the name of the printer you want to use is shown in "Printer List". If the printer name is not displayed, press the **Add** button to add the printer. For more detailed instructions, refer to the Mac on-line Help.

NOTE: If print quality is not satisfactory after installing the printer, you may need to align the Print Head. Refer to "Aligning the Print Head" instructions in the *Quick Start Guide*.