

Canon LASER SHOT LBP6750dn Quick Setup Guide

SPA Guía de instalación rápida KOR 간편 설치 안내서 POR Guia de Instalação Rápida

Read this guide first.
Please read this guide before operating this product.
After you finish reading this guide, store it in a safe place for future reference.

SPA Lea esta guía primero.
Por favor, lea esta guía antes de usar este producto.
Después de leer esta guía, guárdela en un lugar seguro para posteriores consultas.

KOR 먼저 본 설명서를 읽어 주십시오.
본 제품을 사용하기 전에 설명서를 읽어 주십시오.
본 설명서를 다 읽은 후 나중에 참고할 수 있도록 안전한 곳에 보관하십시오.

POR Leia este manual primeiro.
Leia este manual antes de utilizar o produto.
Após ter lido o manual, guarde-o em um local seguro para consultas futuras.

The precautions to install the printer safely are described on the back side.
Before the installation, read the precautions carefully.

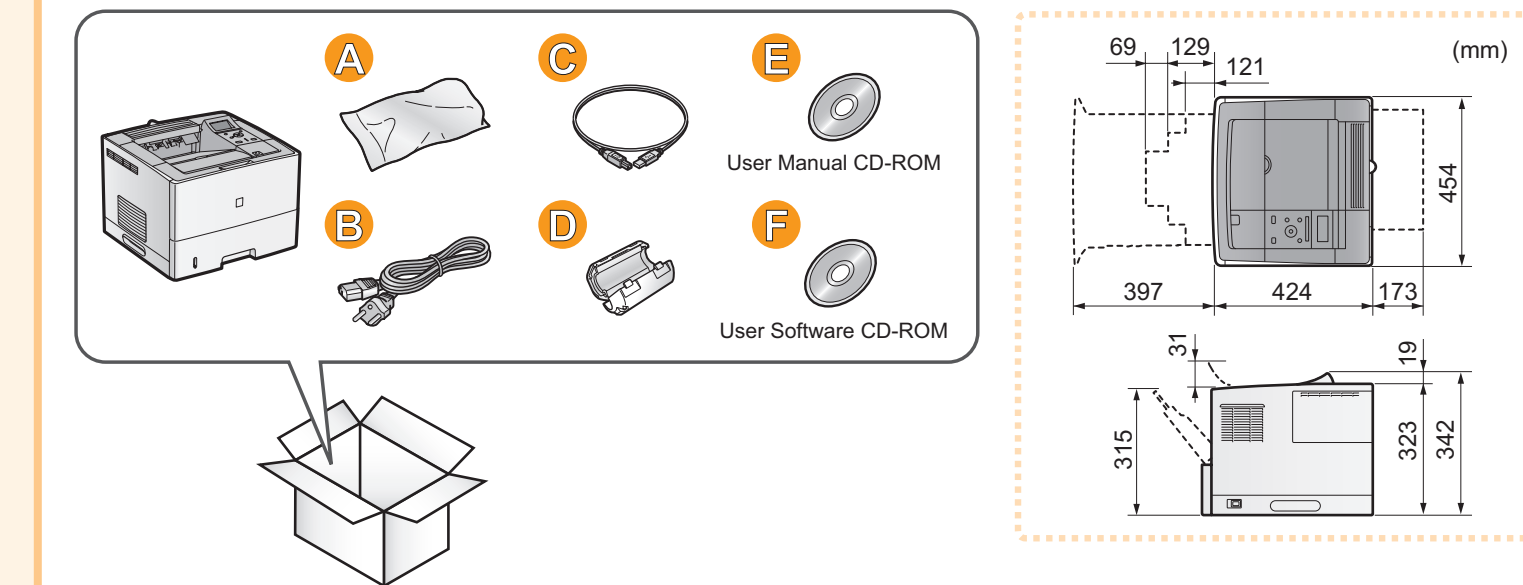
SPA Las precauciones para instalar la impresora de modo seguro se describen en el reverso.
Lea atentamente las precauciones antes de llevar a cabo la instalación.

KOR 프린터를 안전하게 설치하기 위한 주의사항은 뒷면에 표시되어 있습니다.
설치 전에 주의사항을 잘 읽어 주십시오.

POR As precauções para a instalação segura estão descritas na parte posterior da impressora.
Antes da instalação, leia com cuidado as precauções.

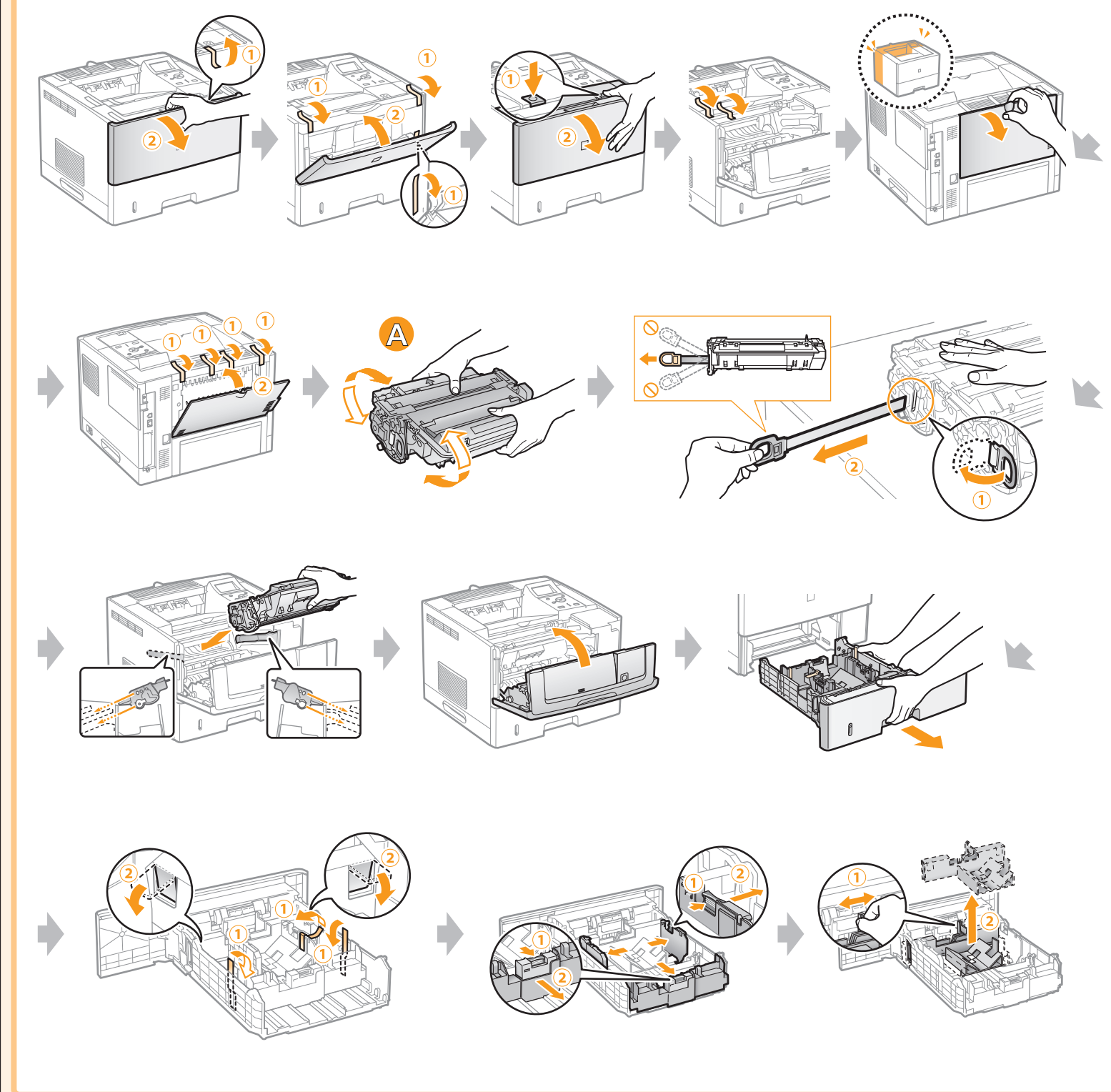
1 Confirm the supplied accessories.

SPA Verifique los accesorios suministrados. KOR 부속된 액세서리를 확인해 주십시오. POR Confirme os acessórios fornecidos.



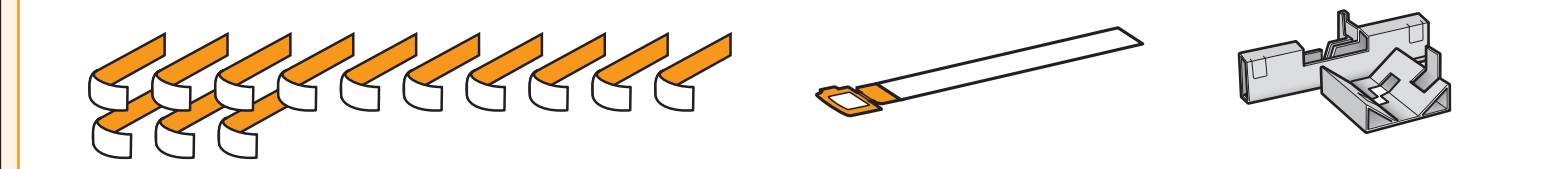
2 Remove the packing materials.

SPA Retire los materiales de embalaje. KOR 포장재를 제거합니다. POR Remova o material de embalagem.



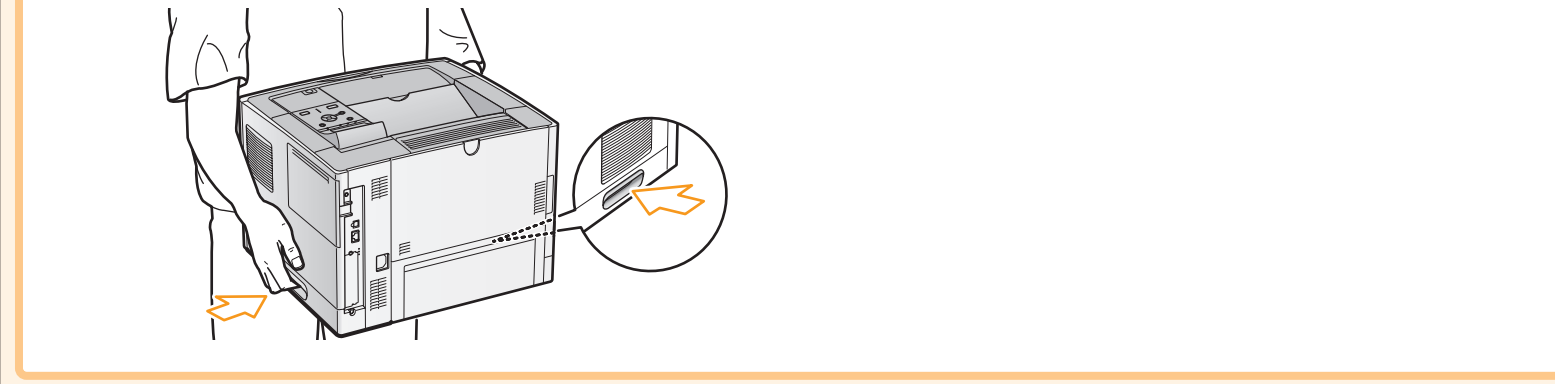
Check!
Did you remove all the packing materials?

SPA ¿Ha retirado todos los materiales de embalaje? KOR 모든 포장재를 제거했습니까? POR Você removeu todos os materiais da embalagem?



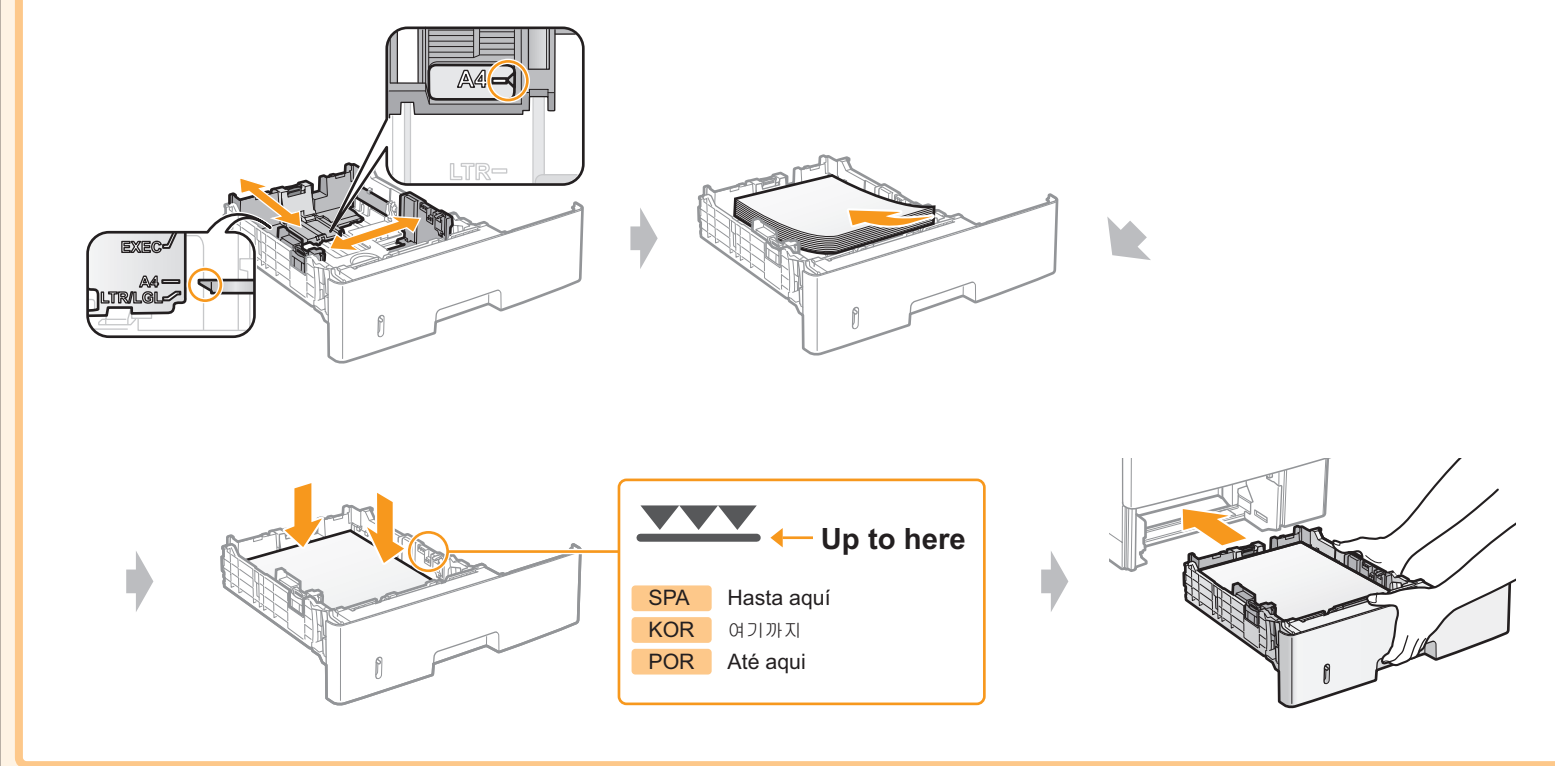
3 Move the printer.

SPA Desplace la impresora. KOR 프린터를 이동시킵니다. POR Mude a impressora de lugar.



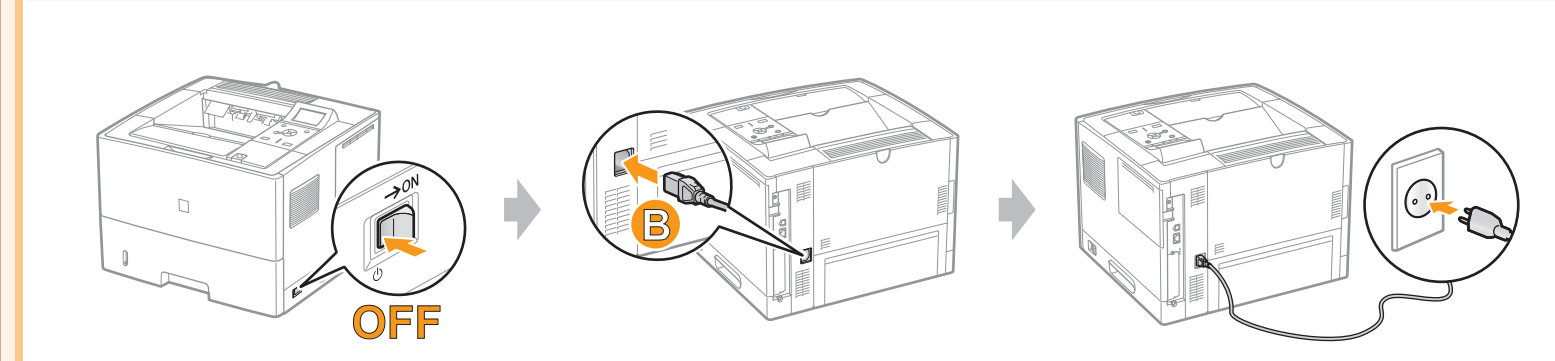
4 Load paper.

SPA Cargue papel. KOR 용지를 넣습니다. POR Carregue o papel.



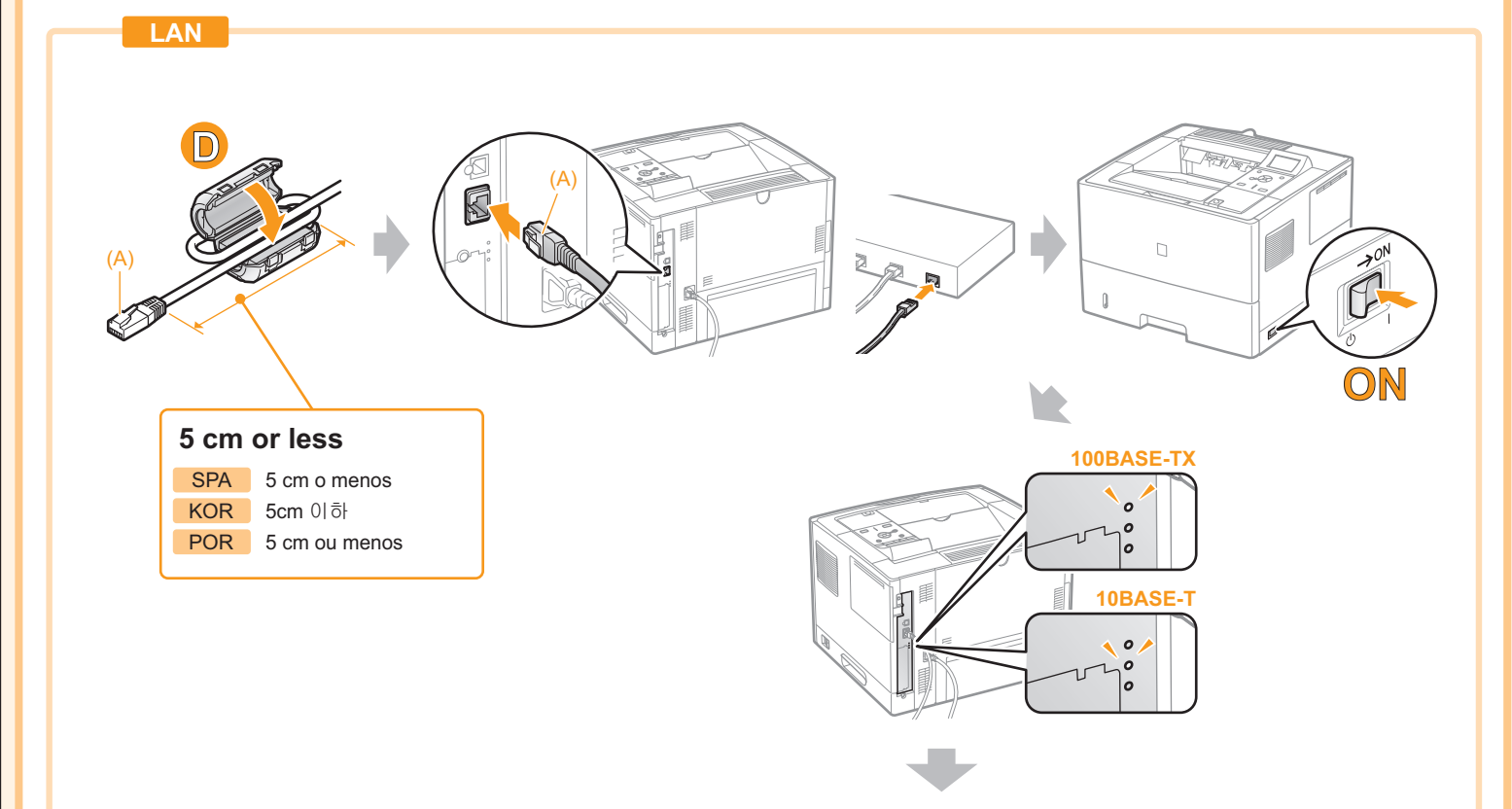
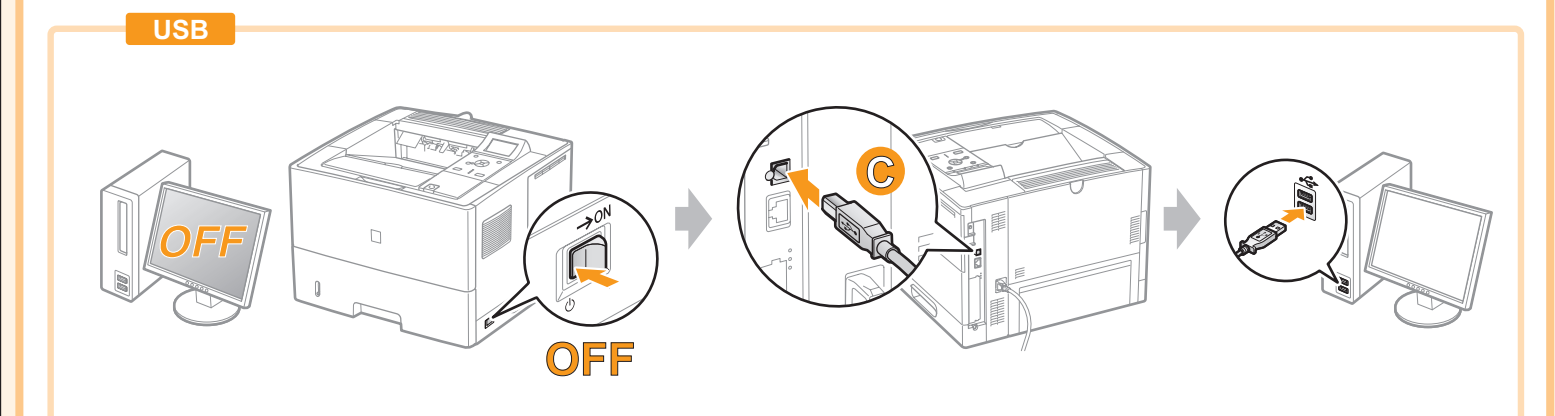
5 Connect the power cord.

SPA Conecte el cable de alimentación. KOR 전원 코드를 연결합니다. POR Conecte o cabo de energia.



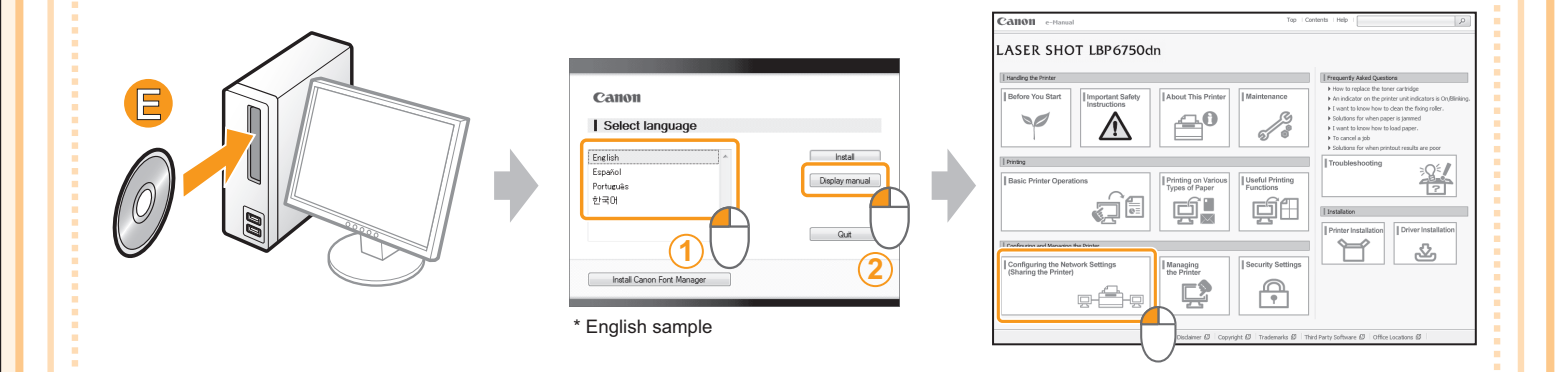
6 Connect the printer and computer.

SPA Conecte la impresora y el ordenador. KOR 프린터와 컴퓨터를 연결합니다. POR Conecte a impressora e o computador.



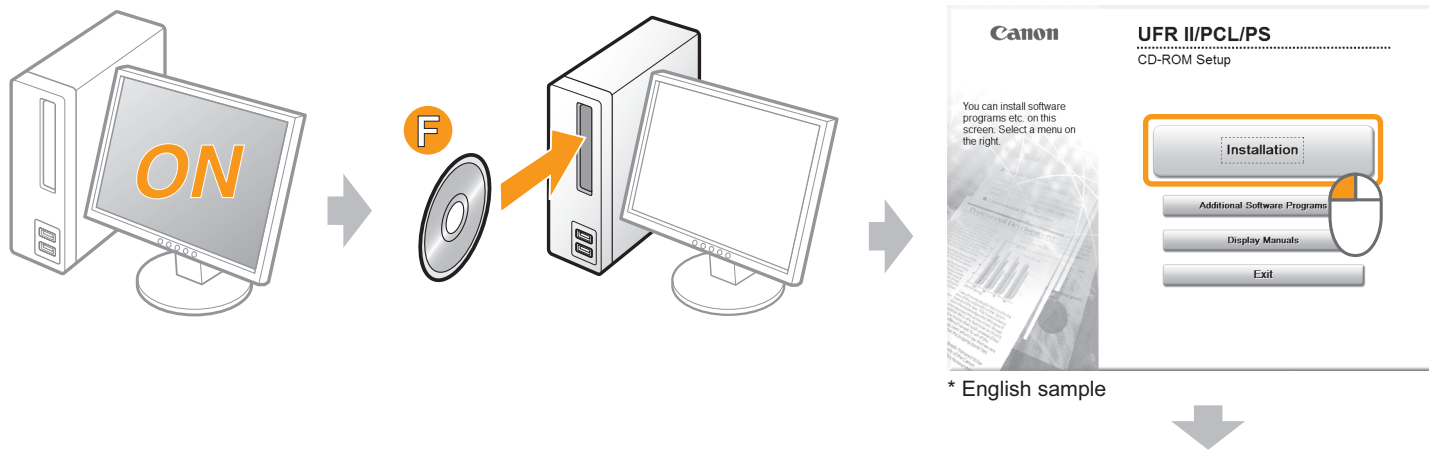
Configure the network settings. See the e-Manual.

SPA Configure los ajustes de red. Consulte el e-Manual. KOR 네트워크 설정 구성하기. 전자설명서를 참조하십시오. POR Definir as configurações de rede. Consulte o manual eletrônico.



7 Install the driver.

SPA Instale el controlador. **KOR** 드라이버를 설치합니다. **POR** Instale o driver.

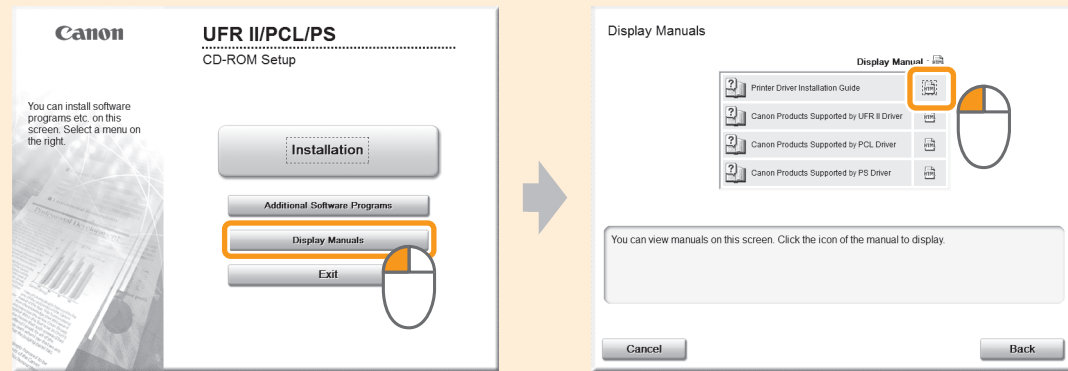


Follow the instructions on the screen.

SPA Siga las instrucciones de la pantalla. **KOR** 화면의 지시에 따릅니다. **POR** Siga as instruções na tela.

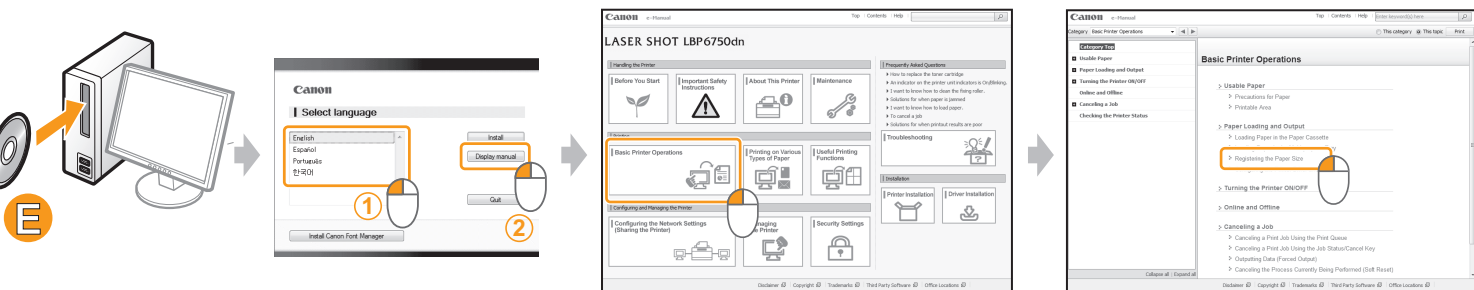
? If you have any questions about operations, see the Printer Driver Installation Guide.

SPA Si tiene preguntas sobre las operaciones, consulte la Guía de instalación del controlador de impresora. **KOR** 조작에 관해 궁금한 점이 있으시면 프린터 드라이버 설치 설명서를 참조하십시오. **POR** Se tiver qualquer pergunta sobre as operações, consulte o "Guia de instalação do driver de impressora".



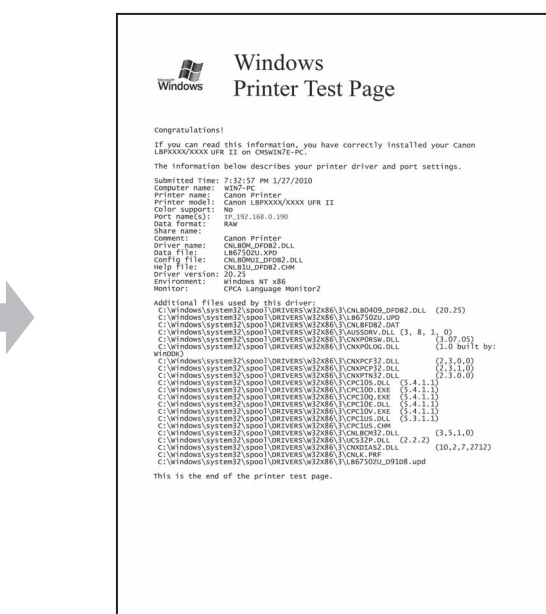
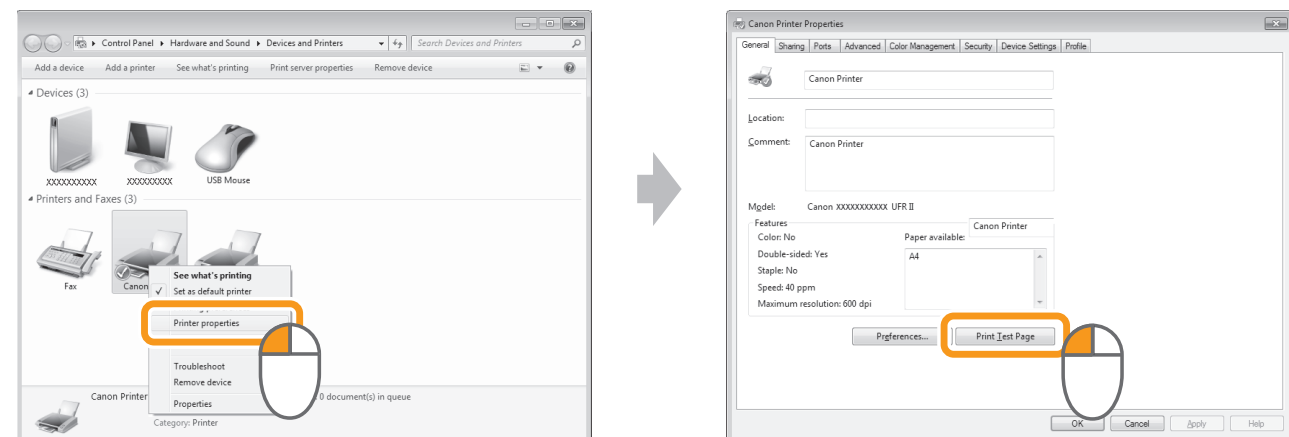
8 Register a paper size. See the e-Manual.

SPA Registre un tamaño de papel. Consulte el e-Manual. **KOR** 용지 크기를 등록합니다. 전자설명서를 참조하십시오. **POR** Registre um tamanho de papel. Consulte o manual eletrônico.



9 Check the operation.

SPA Compruebe el funcionamiento. **KOR** 작동을 확인합니다. **POR** Verifique a operação.



Setup finished.

SPA Instalación finalizada. **KOR** 설치가 완료되었습니다. **POR** Instalação concluída.

10 Next, see the e-Manual.

SPA A continuación, consulte el e-Manual. **KOR** 다음으로 전자설명서를 참조하십시오. **POR** Em seguida, consulte o manual eletrônico.

! Important Safety Instructions

This manual describes only warnings and cautions for the installation and the power supply. Be sure to read "Important Safety Instructions" described in the e-Manual (HTML manual) included in the supplied User Manual CD-ROM also.



Installation

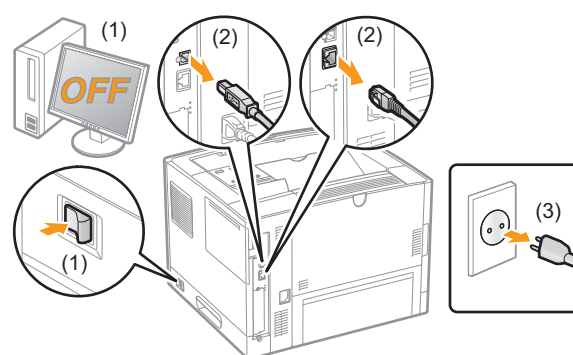
! WARNING

- Do not install the printer in a location near alcohol, paint thinner, or other flammable substances. If flammable substances come into contact with electrical parts inside the printer, this may result in a fire or electrical shock.

- Do not place the following items on the printer.

- Necklaces and other metal objects
- Cups, vases, flowerpots, and other containers filled with water or liquids

If these items come into contact with a high-voltage area inside the printer, this may result in a fire or electrical shock. If these items are dropped or spilled inside the printer, immediately turn OFF the power switch (1) and disconnect the interface cables if they are connected (2). Then, unplug the power plug from the AC power outlet (3) and contact your local authorized Canon dealer.



- When installing or removing the optional accessories, be sure to turn the printer OFF, unplug the power plug, and then disconnect all the interface cables and power cord from the printer. Otherwise, the power cord or interface cables may be damaged, resulting in a fire or electrical shock.

! CAUTION

- Do not install the printer in unstable locations, such as on unsteady platforms or inclined floors, or in locations subject to excessive vibrations, as this may cause the printer to fall or tip over, resulting in personal injury.

- The ventilation slots are provided for proper ventilation of working parts inside the printer. Never place the printer on a soft surface, such as a bed, sofa, or rug. Blocking the slots can cause the printer to overheat, resulting in a fire.

- Do not install the printer in the following locations, as this may result in a fire or electrical shock.

- A damp or dusty location
- A location exposed to smoke and steam, such as near a cookery or humidifier
- A location exposed to rain or snow
- A location near a water faucet or water
- A location exposed to direct sunlight
- A location subject to high temperatures
- A location near open flames

- When installing the printer, gently lower the printer to the installation site so as not to catch your hands between the printer and the floor or between the printer and other equipment, as this may result in personal injury.

- When connecting the interface cable, connect it properly by following the instructions in the e-Manual. If not connected properly, this may result in malfunction or electrical shock.

- Be careful when handling the main board and optional accessories (RAM and ROM). Touching the edges or a sharp portion of the main board, RAM, and ROM may result in personal injury.

- When moving the printer, follow the instructions in the e-Manual to hold it correctly. Failure to do so may cause you to drop the printer, resulting in personal injury.

Symbols

! WARNING

Indicates a warning concerning operations that may lead to death or injury to persons if not performed correctly. To use the machine safely, always pay attention to these warnings.

! CAUTION

Indicates a caution concerning operations that may lead to injury to persons if not performed correctly. To use the machine safely, always pay attention to these cautions.

Power Supply

! WARNING

- Do not damage or modify the power cord. Also, do not place heavy objects on the power cord or pull on or excessively bend it, as this can cause electrical damage, resulting in fire or electrical shock.

- Keep the power cord away from all heat sources. Failure to do so can cause the power cord insulation to melt, resulting in a fire or electrical shock.

- The power cord should not be taut, as this may lead to a loose connection and cause overheating, which could result in a fire.

- The power cord may become damaged if it is stepped on, fixed with staples, or if heavy objects are placed on it. Continued use of a damaged power cord can lead to an accident, such as a fire or electrical shock.

- Do not plug or unplug the power plug with wet hands, as this can result in electrical shock.

- Do not plug the power cord into a multi-plug power strip, as this can result in a fire or electrical shock.

- Do not bundle up or tie up the power cord in a knot, as this can result in a fire or electrical shock.

- Insert the power plug completely into the AC power outlet. Failure to do so can result in a fire or electrical shock.

- If excessive stress is applied to the connection part of the power cord, it may damage the power cord or the wires inside the machine may disconnect. This could result in a fire. Avoid the following situations:

- Connecting and disconnecting the power cord frequently.
- Tripping over the power cord.
- The power cord is bent near the connection part, and continuous stress is being applied to the power outlet or the connection part.
- Applying a shock to the power connector.

- Do not use power cords other than the one provided, as this can result in a fire or electrical shock.

- As a general rule, do not use extension cords. Using an extension cord may result in a fire or electrical shock.

! CAUTION

- Do not use a power supply voltage other than that listed herein, as this may result in a fire or electrical shock.

- Always grasp the power plug when unplugging the power plug. Do not pull on the power cord, as this may expose the core wire of the power cord or damage the cord insulation, causing electricity to leak, resulting in a fire or electrical shock.

- Leave sufficient space around the power plug so that it can be unplugged easily. If objects are placed around the power plug, you may be unable to unplug it in an emergency.

English

! WARNING

To avoid the risk of personal injury or damage to the printer, and for legal information, make sure to read the "Legal Notices" and "Important Safety Instructions" in the e-Manual included on the accompanying User Manual CD-ROM carefully before using the printer.



User Manual CD-ROM

KOR

! 경고

인적 부상 또는 프린터의 손상을 피하기 위해서, 그리고 법적 정보에 관해서는 프린터 사용 전에 부착된 User Manual CD-ROM 에 포함된 전자설명서의 "법적 고지 사항" 및 "주요 안전 지침"을 잘 읽어 주십시오.



User Manual CD-ROM

SPA

! ADVERTENCIA

Para evitar el riesgo de sufrir lesiones personales o de causar daños a la impresora (y para información legal), asegúrese de leer atentamente los "Avisos legales" y las "Instrucciones de seguridad importantes" del e-Manual incluido en el disco User Manual CD-ROM suministrado antes de utilizar la impresora.



User Manual CD-ROM

POR

! ATENÇÃO

Para evitar o risco de ferimentos ou danos à impressora e para obter informações legais, leia com cuidado as "Notificações legais" e "Instruções de segurança importantes" no manual eletrônico incluído no User Manual CD-ROM fornecido, antes de usar a impressora.



User Manual CD-ROM