



ENGLISH

繁體中文

한국어

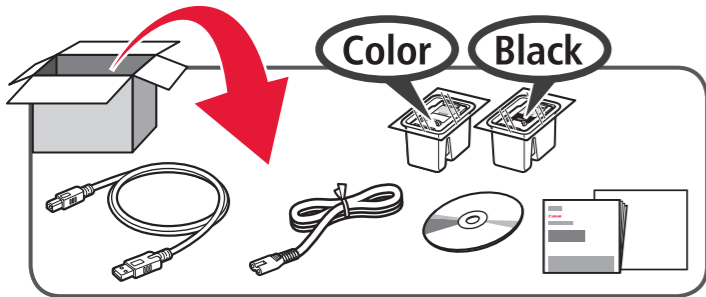
ภาษาไทย

BAHASA INDONESIA

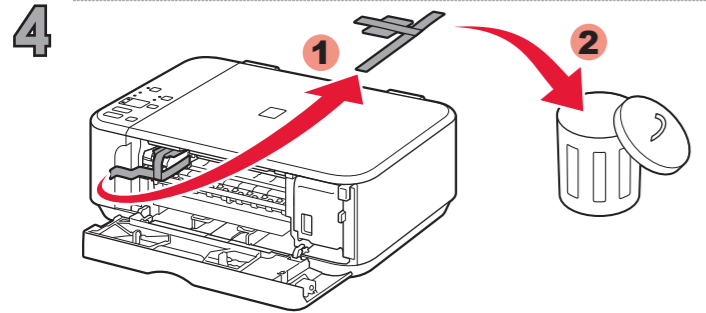
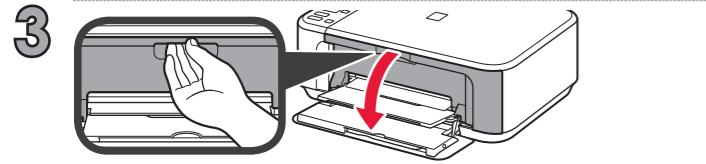
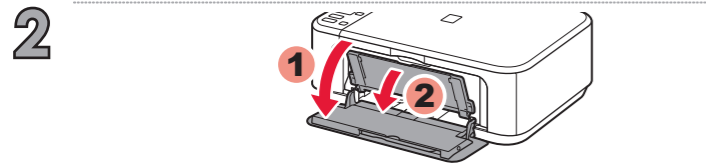
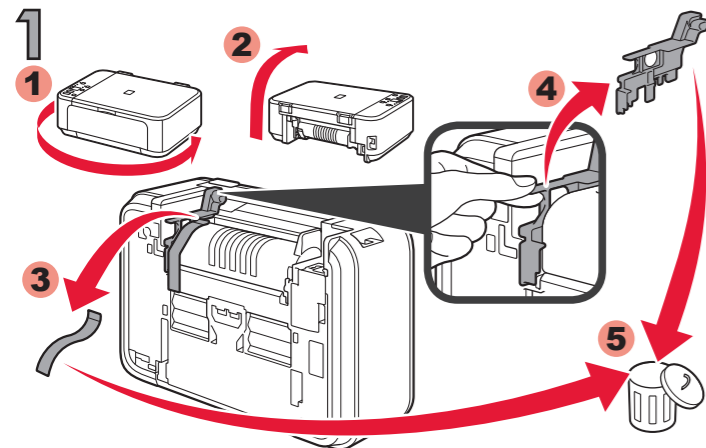
TIẾNG VIỆT

Canon PIXMA E560 series

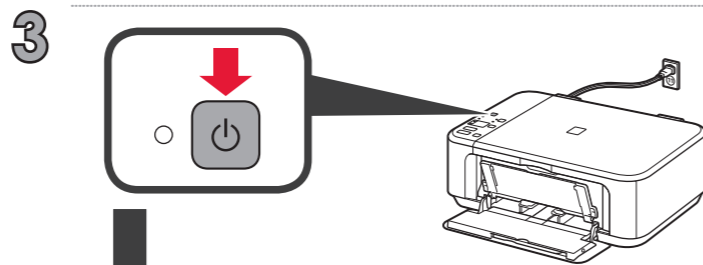
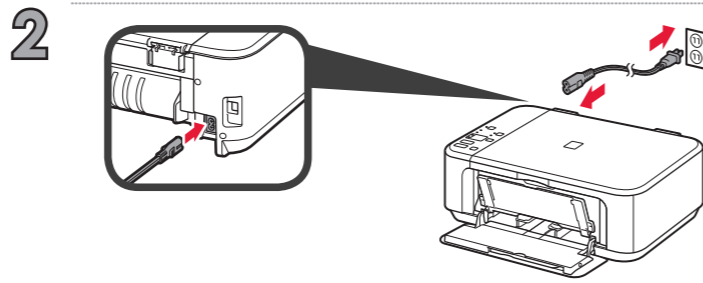
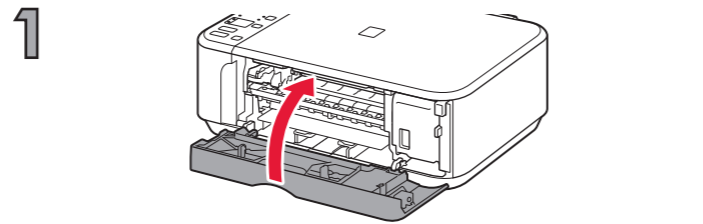
1



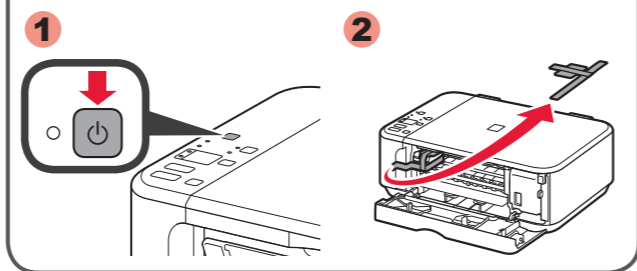
2



3

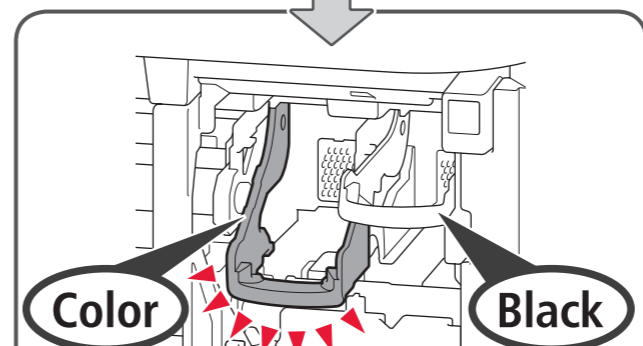
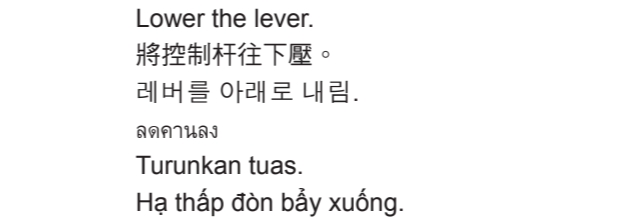
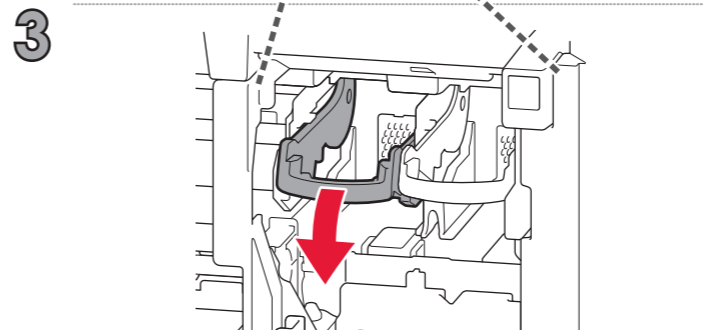
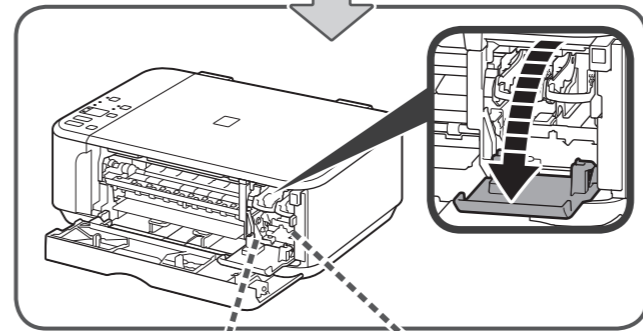
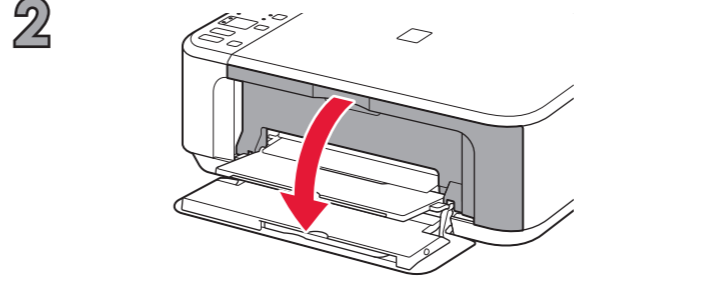
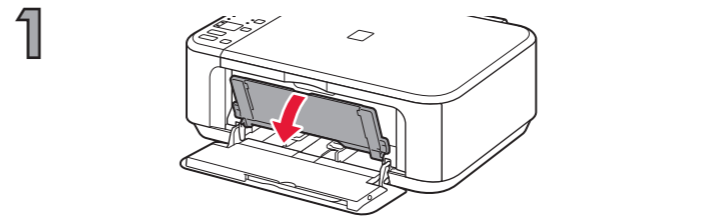


4 1

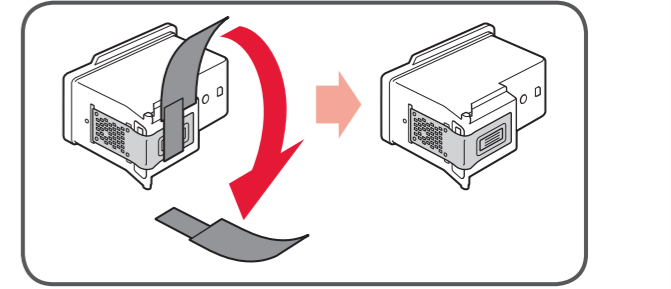
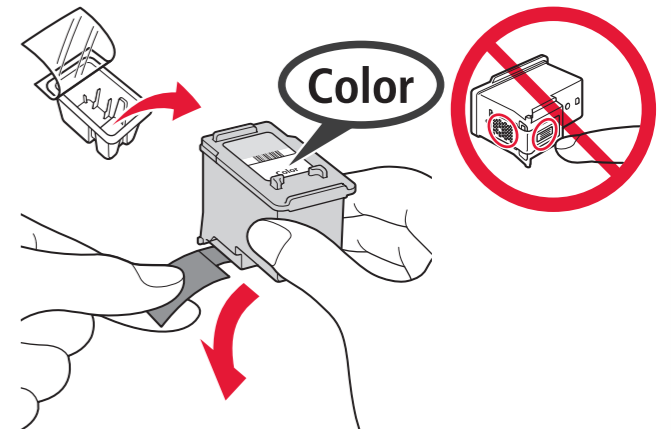


3 1

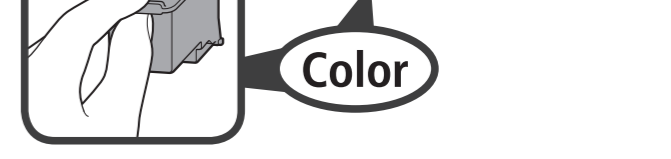
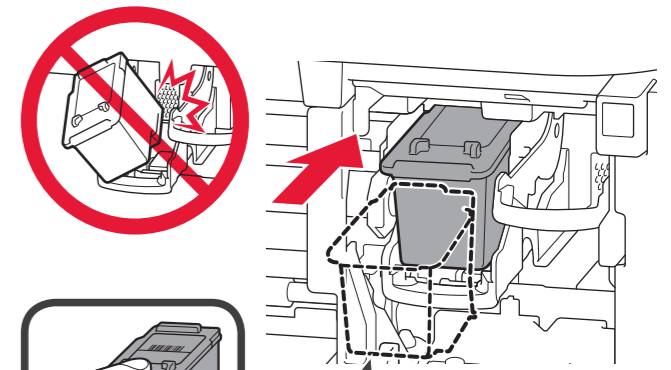
4



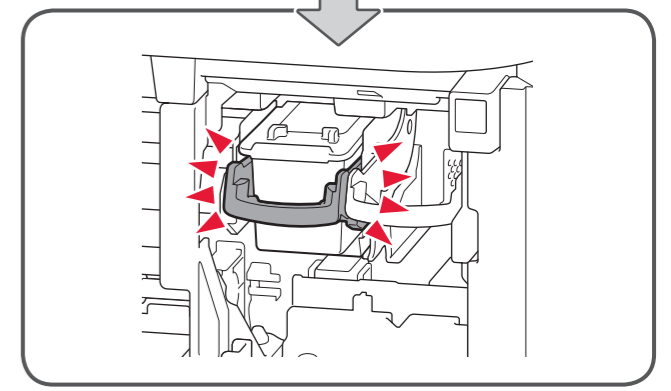
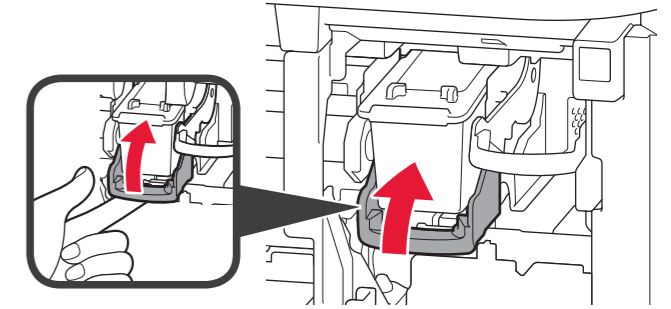
4



5



6



7 Repeat 3 to 6 to install the other FINE Cartridge.

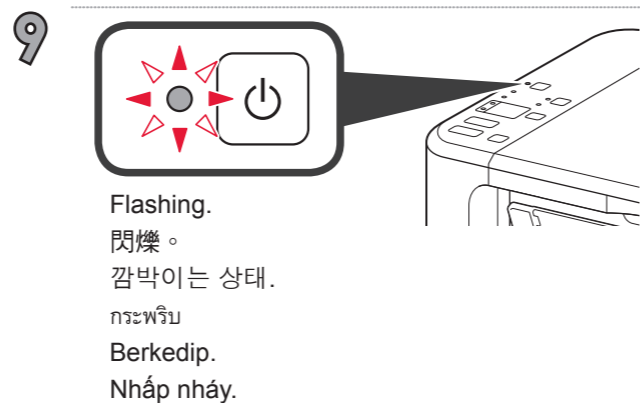
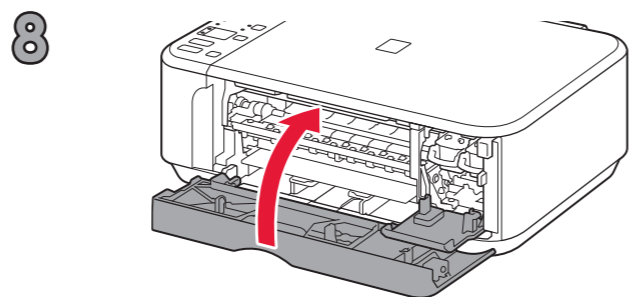
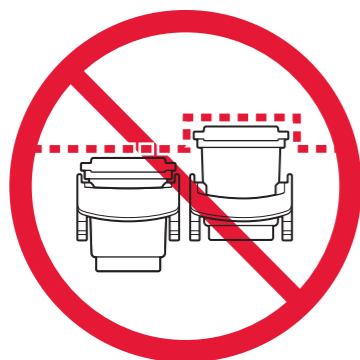
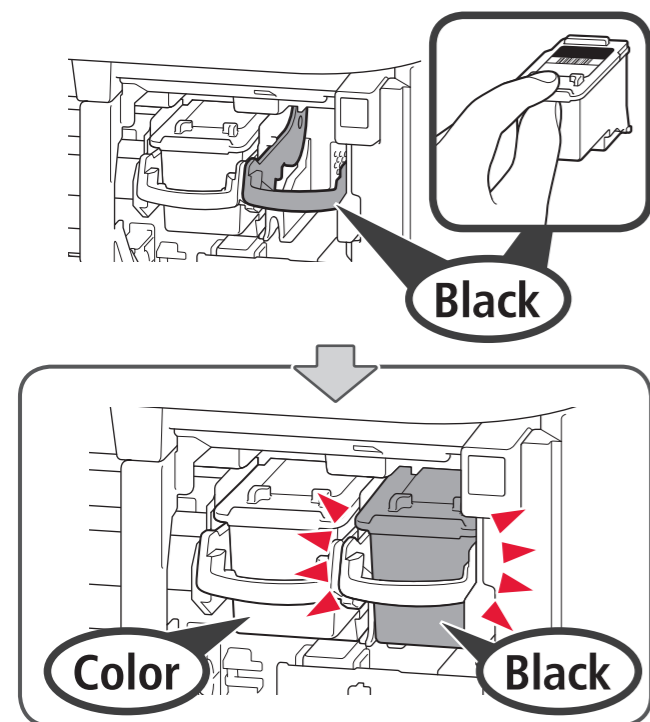
重複 3 到 6 安裝其他 FINE 墨盒。

3 ~ 6 를 반복하여 다른 FINE 카트리지를 설치합니다.

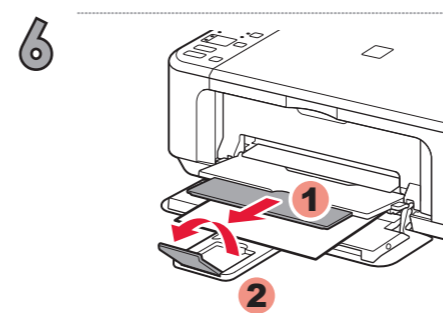
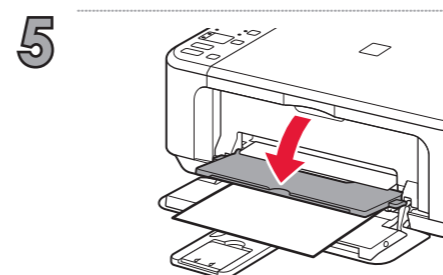
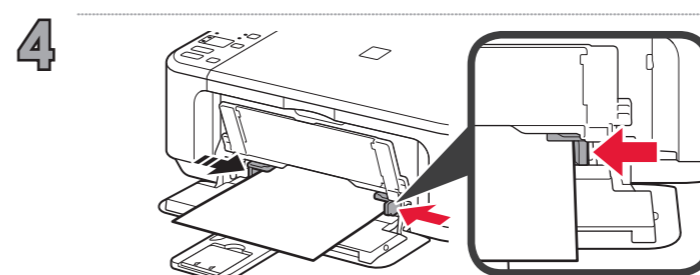
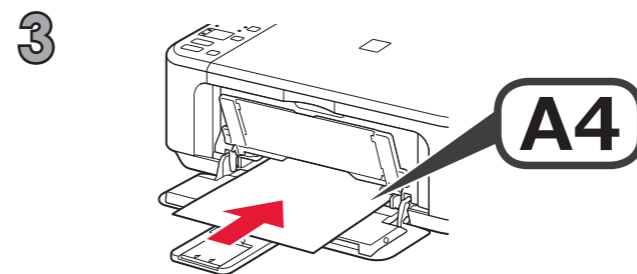
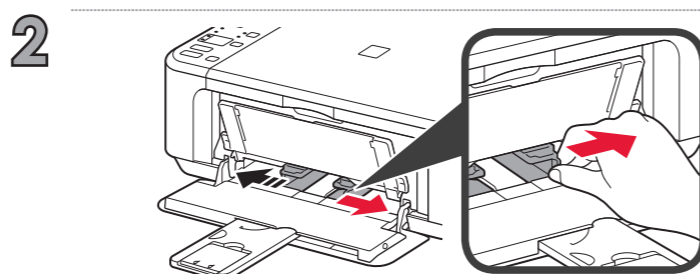
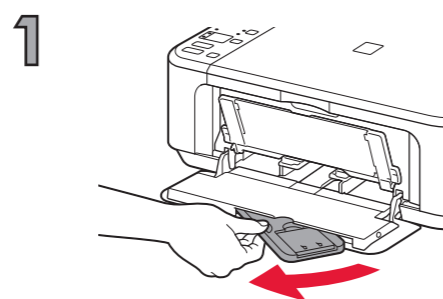
ทำซ้ำ 3 ถึง 6 เพื่อติดตั้งคาร์ทริดจ์ FINE อื่น ๆ

Ulangi 3 sampai 6 untuk memasang Kartrij FINE lain.

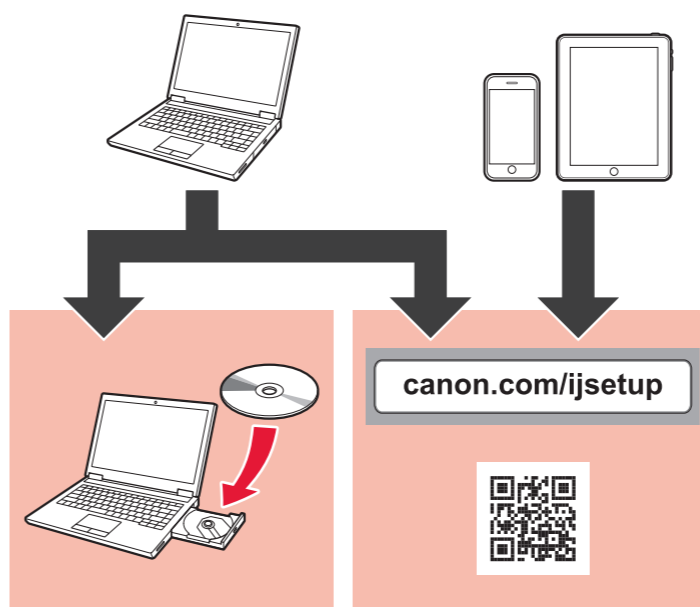
Lặp lại 3 đến 6 để lắp đặt FINE Cartridge khác.



5



6



Manuals
 説明書
 설명서
 คู่มือ
 Manual
 Sách hướng dẫn

