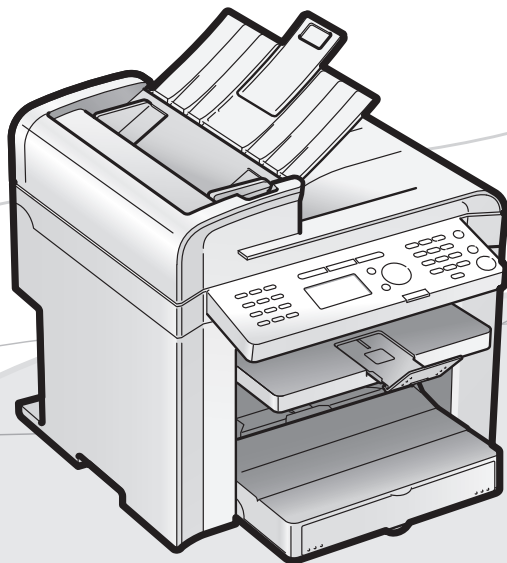


Canon

imageCLASS

MF4580dw / MF4570dw / MF4420w



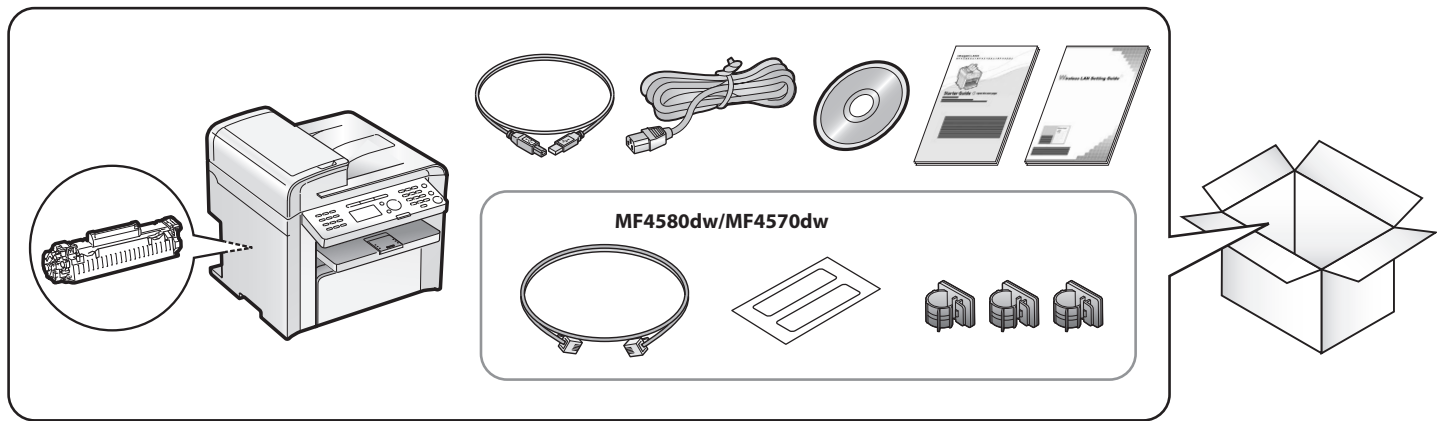
Starter Guide Open the next page.

Read this guide first.

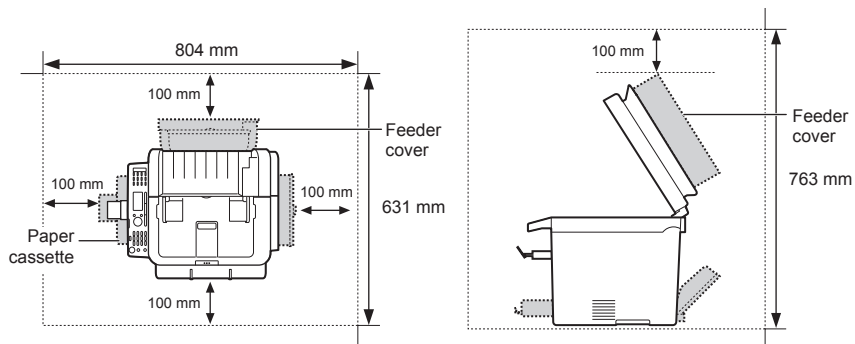
Please read this guide before operating this product.

After you finish reading this guide, store it in a safe place for future reference.

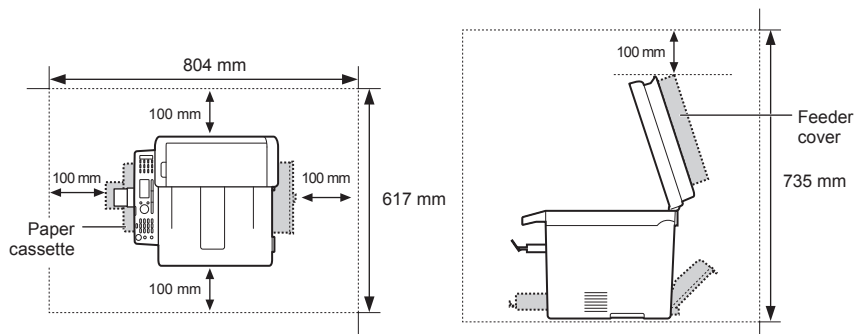
Setting Up the Machine to Suit Your Purposes	1
Available Features	2
About the Supplied Manual	3
Connecting the Power Cord	4
Turning the Power ON and Specifying the Initial Settings	4
Setting a Paper Size and Type	6
Specifying Initial Fax Settings and Connecting a Telephone Cable	7
Selecting a Method for Connecting the Machine to a Computer	10
Connecting to Wired LAN	11
Installing the Driver/Software	11
Appendix	
Perform Useful Tasks	12
Clearing Paper Jams	13
Replacing Toner Cartridge	14



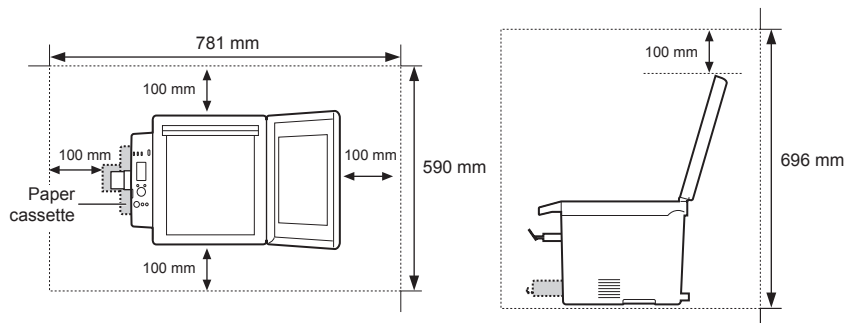
MF4580dw



MF4570dw

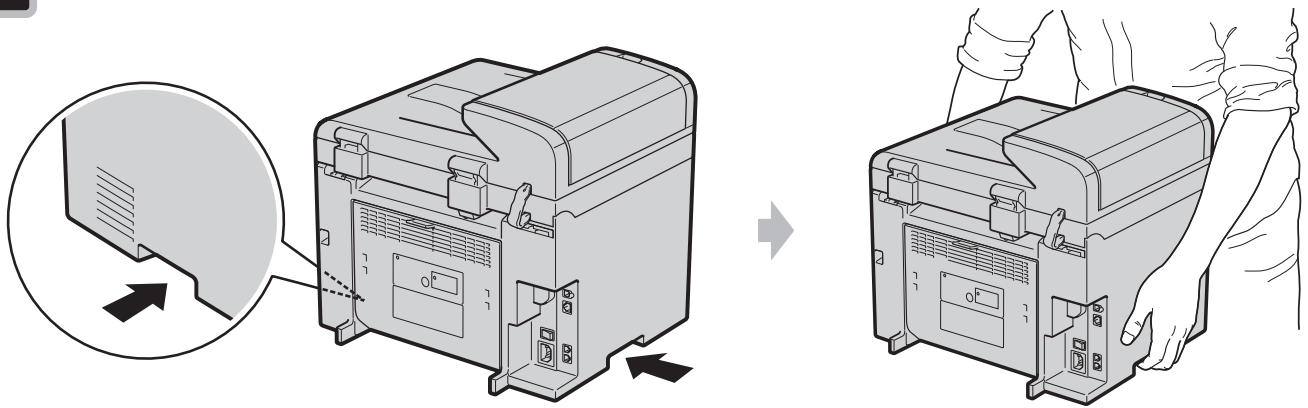


MF4420w

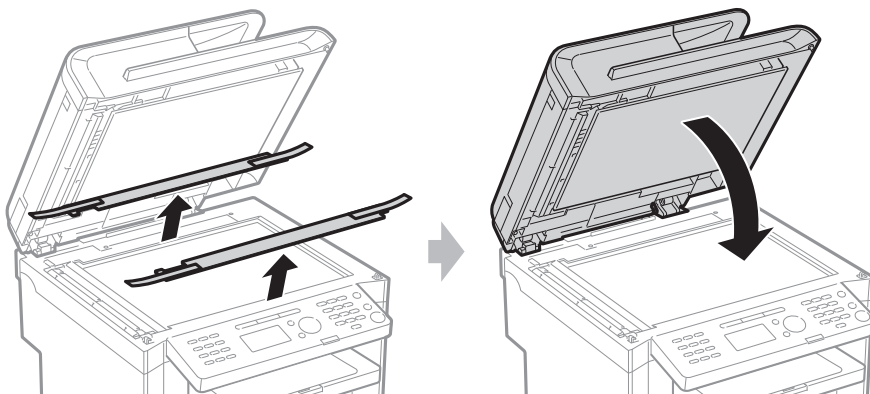
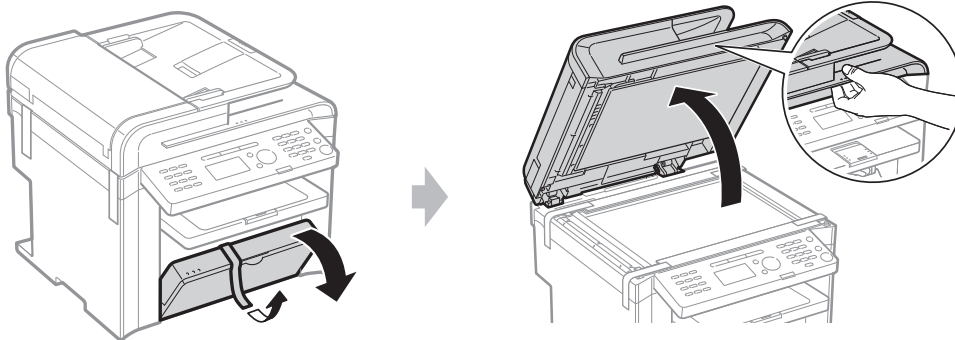
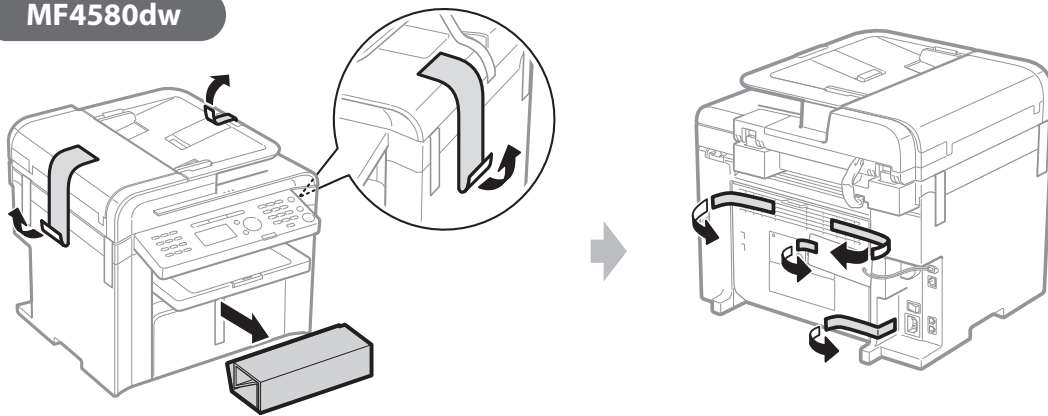
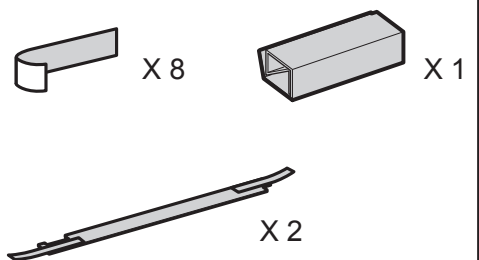


Notes on wireless LAN

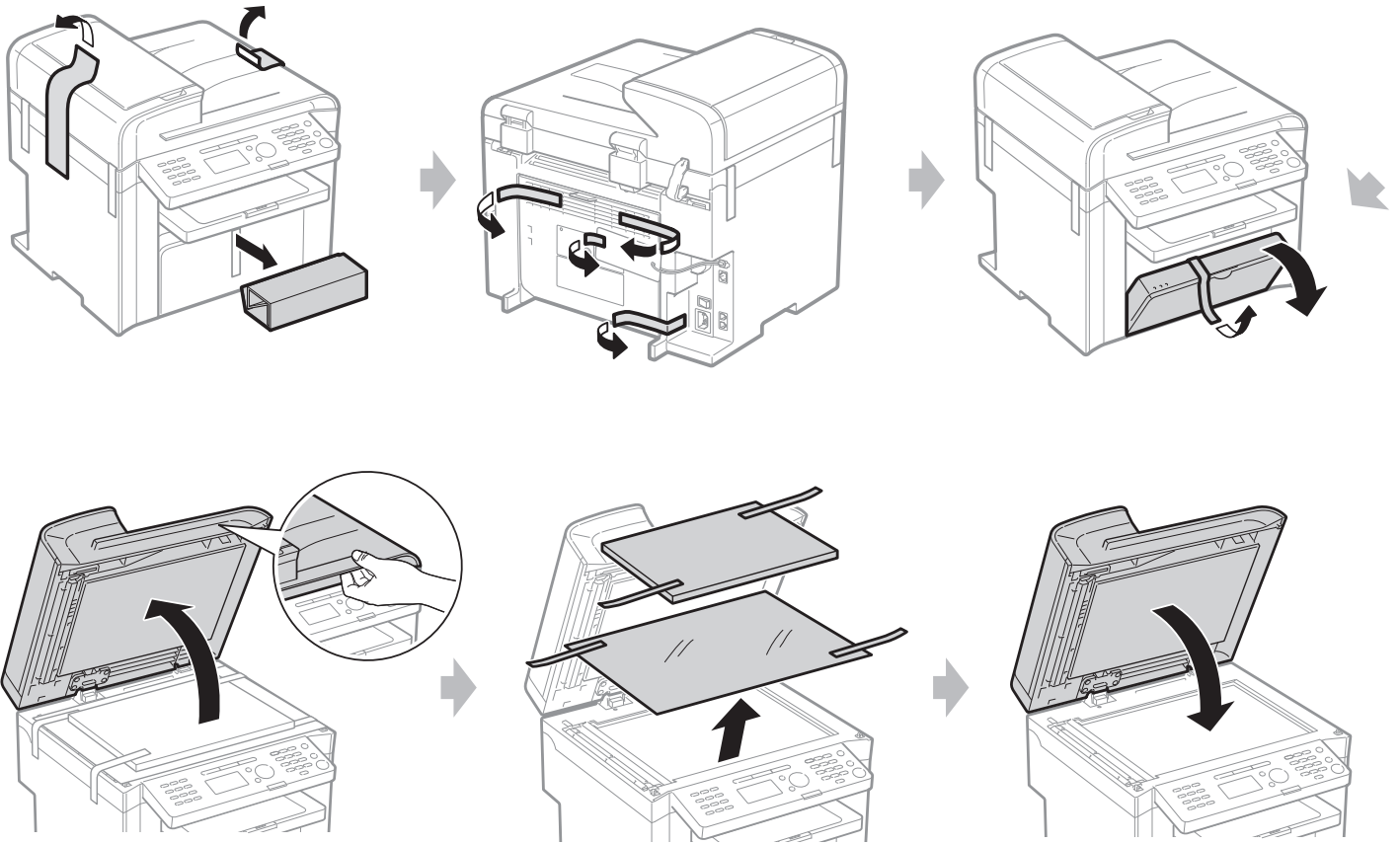
- This product is designed for indoor use 50 m (may vary on the communication speed or environmental condition) or less away from an access point. Keep it at an appropriately close distance.
- Check if masking is found or not. Communications across walls or between floors are generally deteriorated. Arrange appropriate installment.
- Radio wave interference may occur if any radiowave emitting equipment (i.e. microwave) is found near the product and its radiowave is in the same frequency band as the radiowave used by a wireless LAN. Keep the product away from those radio wave interference sources as much as possible.

1**Carry the machine to the installation site.****2****Remove the packing materials.**

MF4580dw

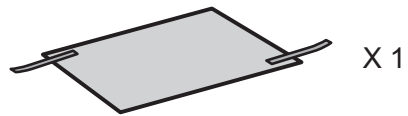
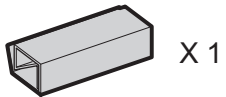
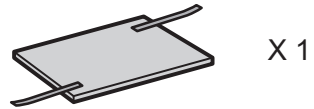
**Check!****Did you remove all the packing materials?**

MF4570dw

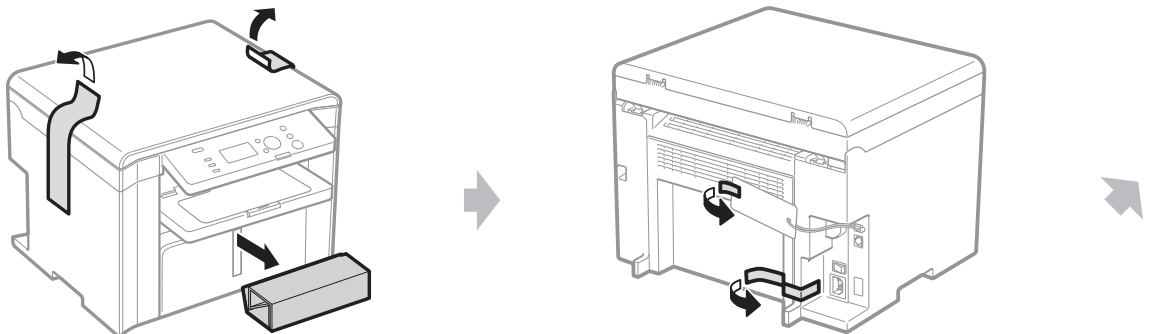


Check!

Did you remove all the packing materials?

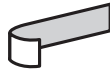


MF4420w

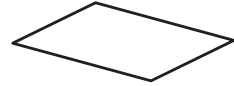


Check!

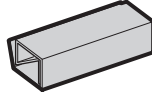
Did you remove all the packing materials?



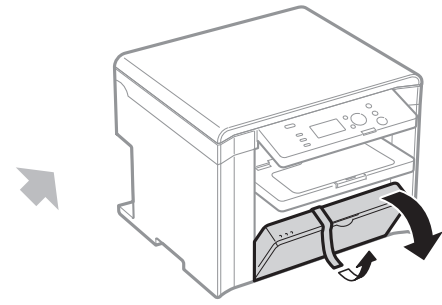
X 5



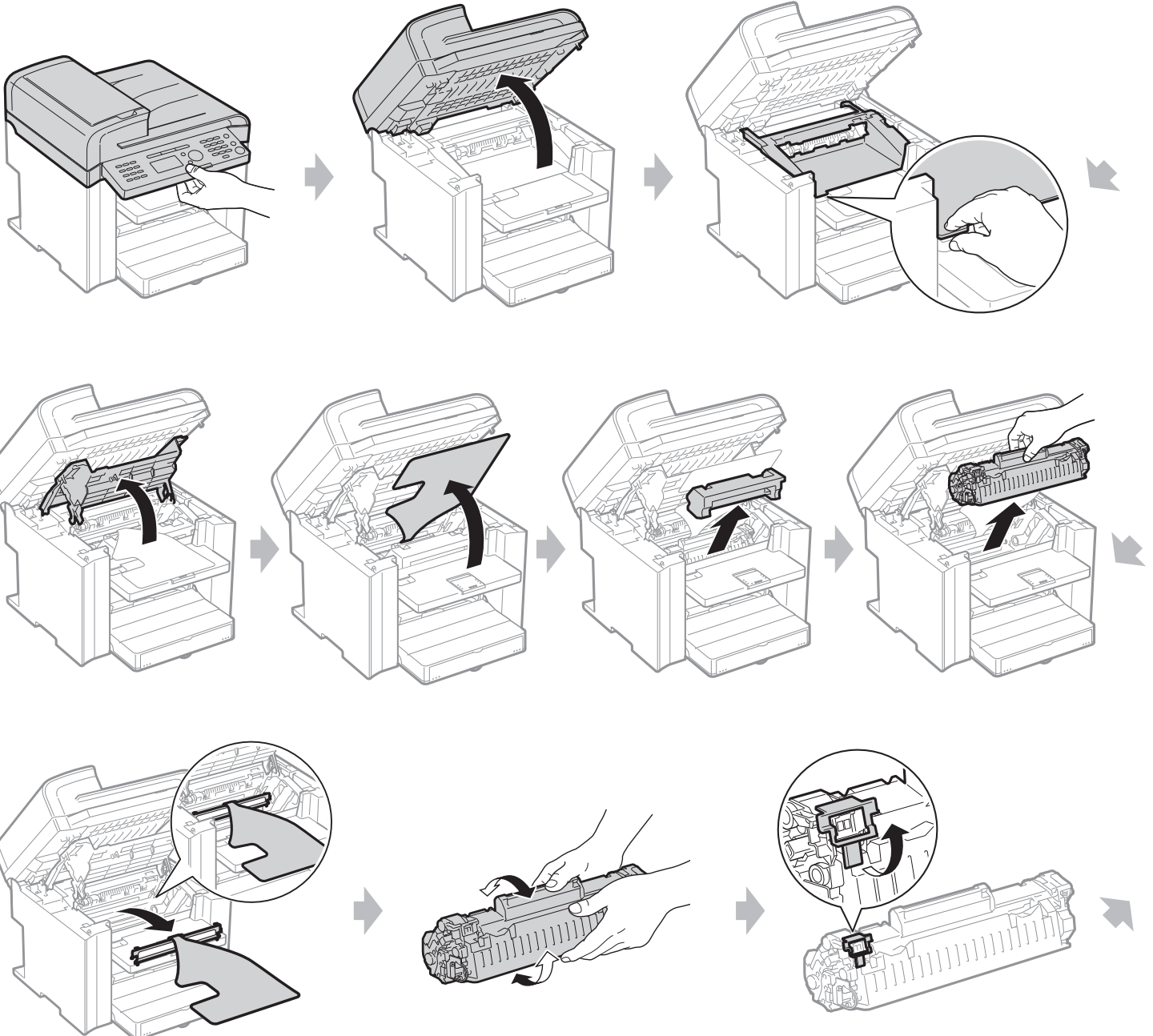
X 1



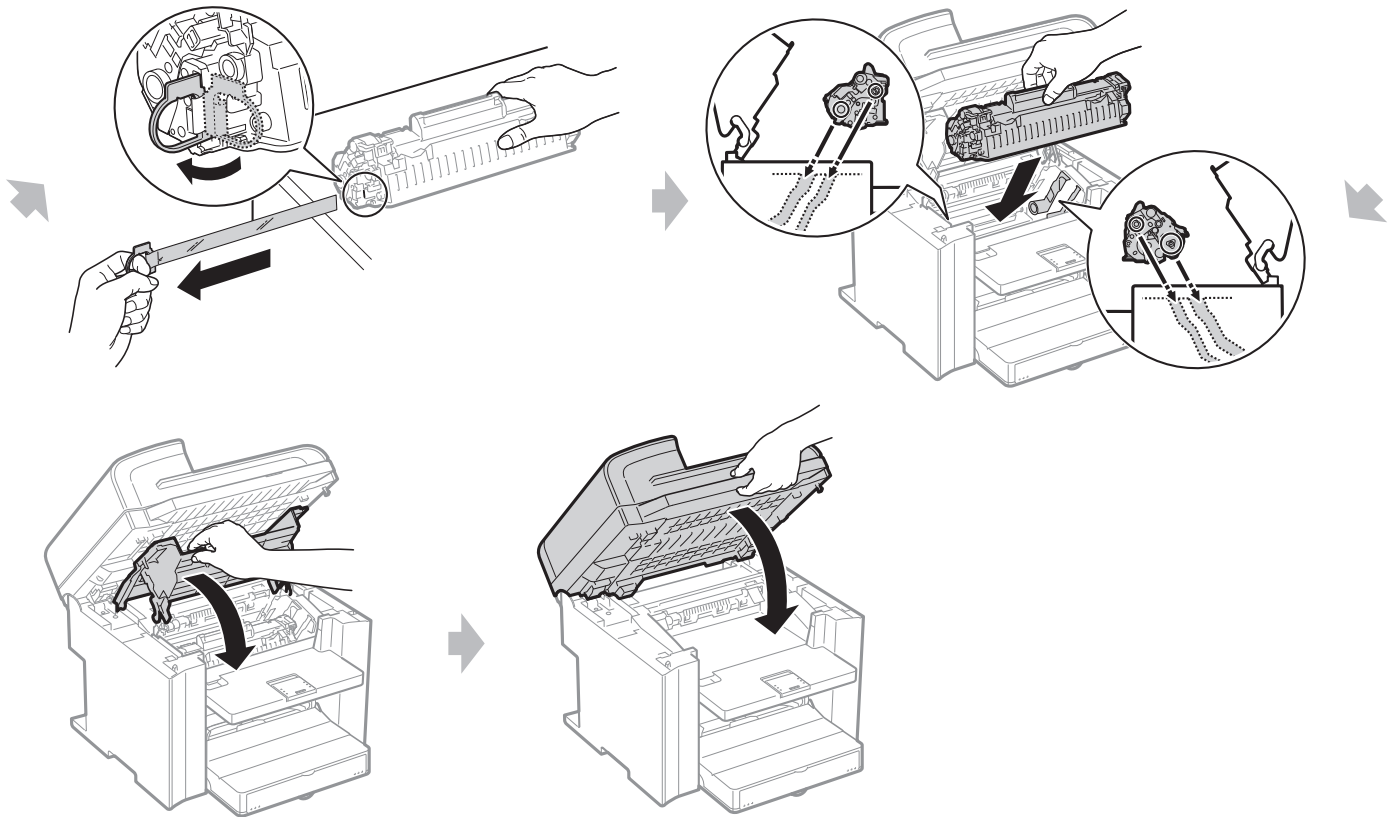
X 1



3 Prepare the toner cartridge.

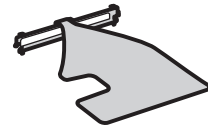
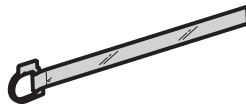
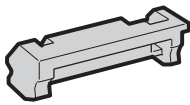


Next Page

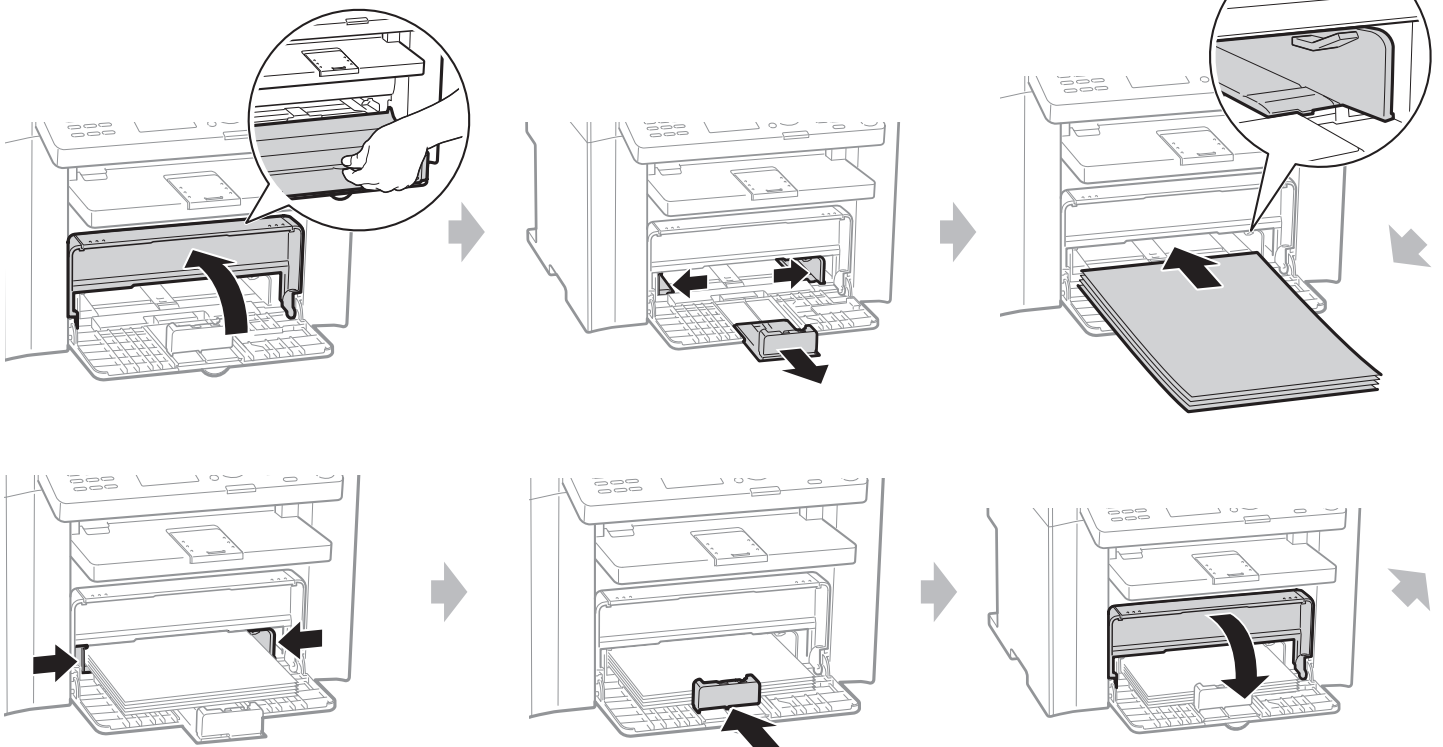


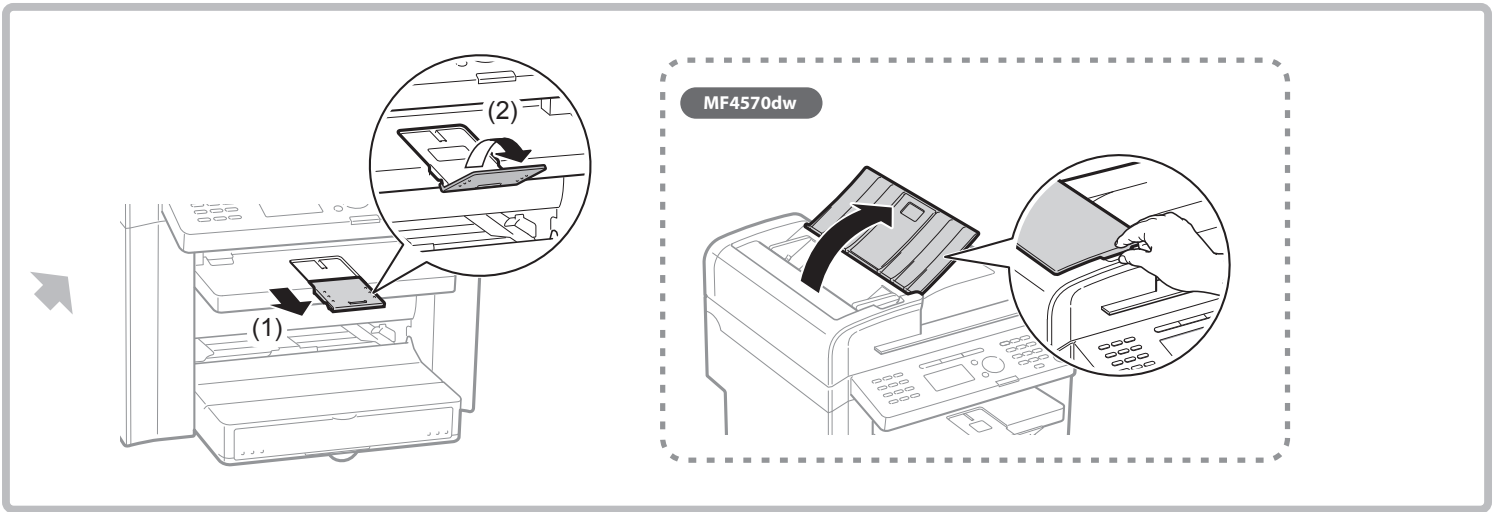
Check!

Did you remove all the packing materials?



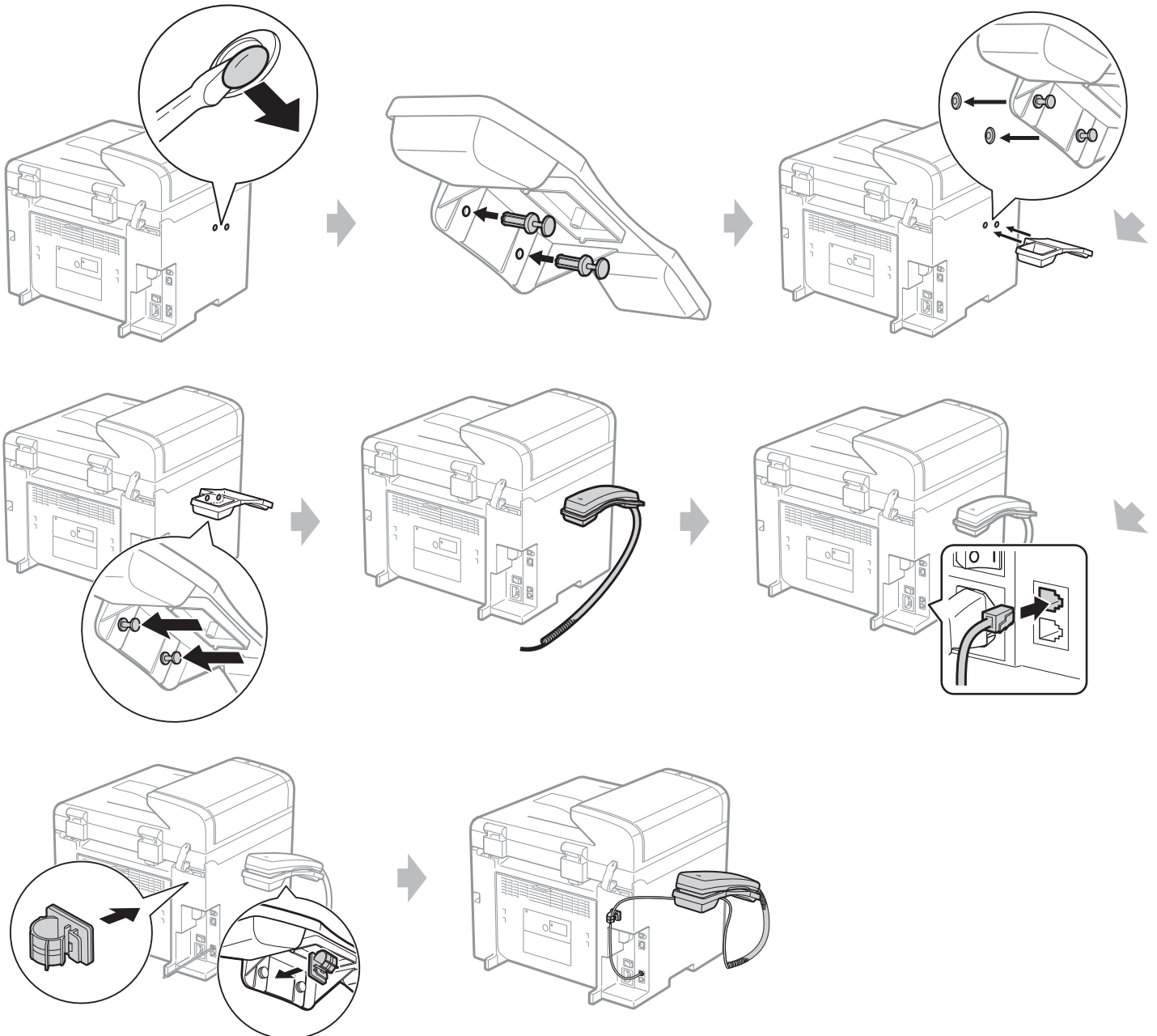
4 Load the paper.





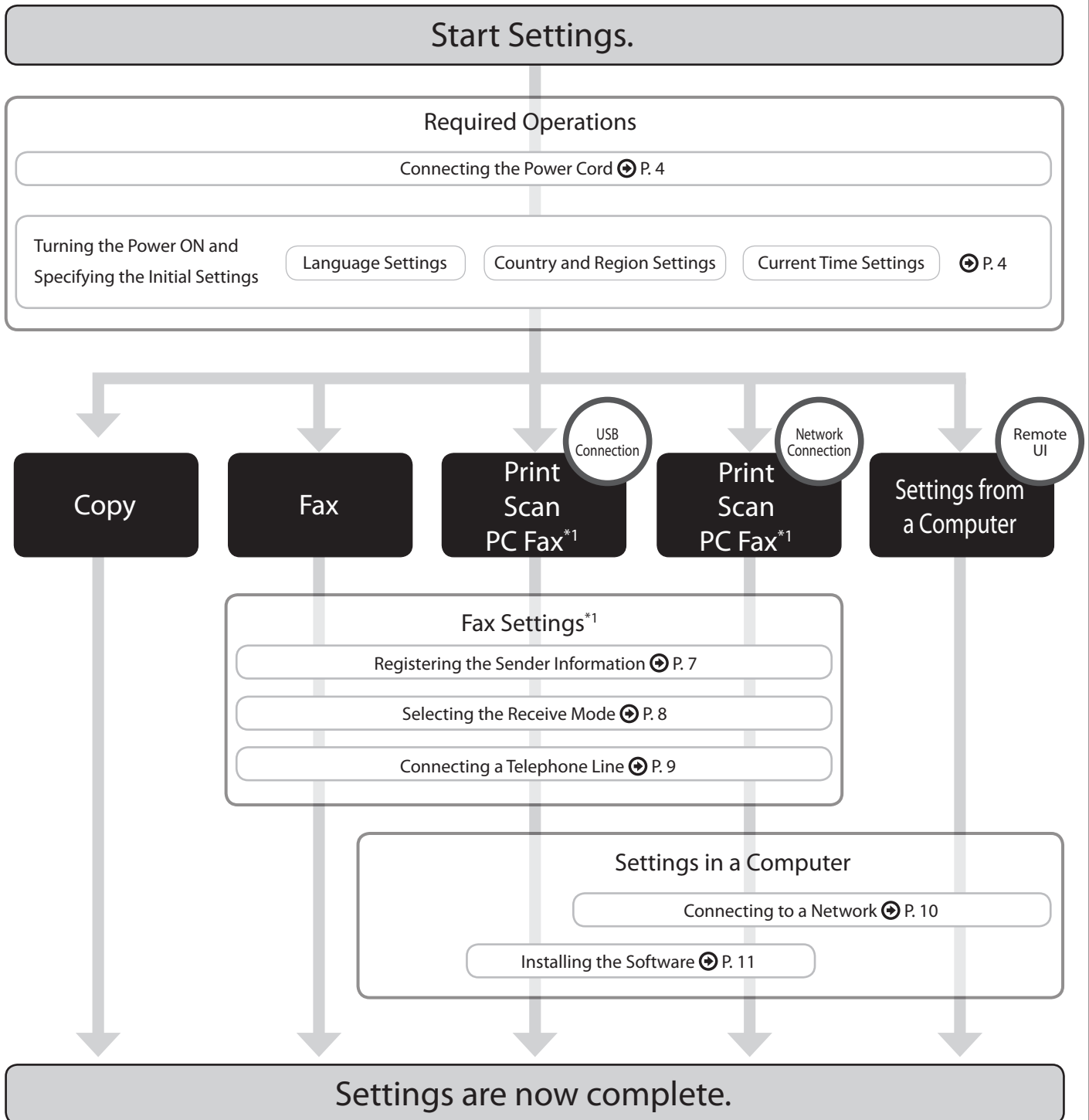
5 Install the handset (optional).

Use only the parts which are used in the following procedure. You do not need to use unnecessary parts.



Setting Up the Machine to Suit Your Purposes

Determine which machine functions (Copy, Print, Fax*¹, PC Fax*¹, Scan, Remote UI) you intend to use, and make the settings according to the flowchart below.



*¹ This function is available only for MF4580dw/MF4570dw.

Available Features

○: available —: not available

	Copy	Print	2-sided Printing	Fax (PC Fax)	Scan	Remote UI	ADF (1-sided)	ADF (2-sided)	Wireless LAN
MF4580dw	○	○	○	○	○	○	○	○	○
MF4570dw	○	○	○	○	○	○	○	—	○
MF4420w	○	○	—	—	○	○	—	—	○

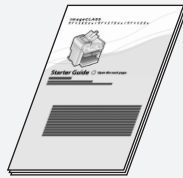
About the Supplied Manual

Read this manual first.

This manual describes the settings for setting up the machine and installing the software. Be sure to read this manual before using the machine.

Starter Guide

This manual



- Preface
- Installing the Machine
- Configuring and Connecting the Fax*
- Connecting to a Computer and Installing the Drivers
- Appendix

* This function is available only for MF4580dw/MF4570dw.

Read this manual with Starter Guide.

This manual describes Wireless LAN setup procedures. Be sure to read this manual before using the machine.

Wireless LAN Setting Guide

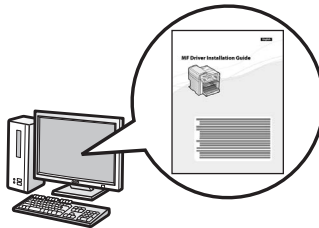


- Setting the wireless LAN
- Appendix

Read this manual when installing the software.

MF Driver Installation Guide

* The MF Driver Installation Guide is included in the User Software CD-ROM.



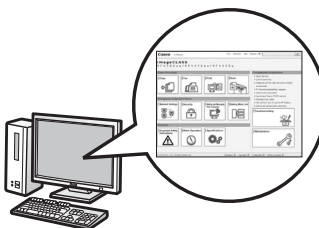
- User Software CD-ROM
- Installing the Driver/Software
- Installing the MF Drivers and MF Toolbox
- Installing the MF Drivers Via the WSD Network
- How to Use the Online Help
- Appendix

Read the desired chapter to suit your needs.

The e-Manual is categorized by subject to find desired information easily.

e-Manual


* The e-Manual is included in the User Software CD-ROM.



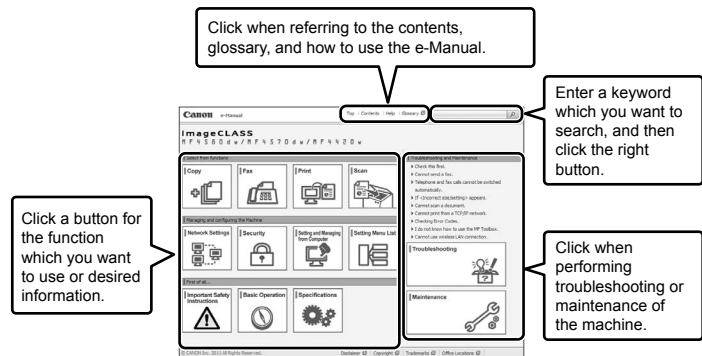
- Important Safety Instructions
- Basic Operation
- Copy
- Fax*
- Print
- Scan
- Network Settings
- Security
- Setting and Managing from Computer
- Troubleshooting
- Maintenance
- Setting Menu List
- Specifications

* This function is available only for MF4580dw/MF4570dw.

Displaying the e-Manual directly from the CD-ROM

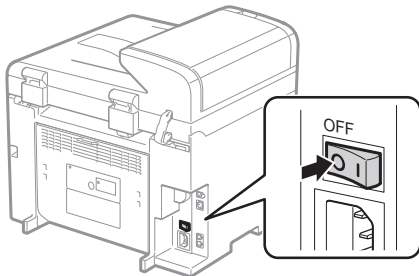
- 1 Insert the User Software CD-ROM in your computer.
 - 2 Click [Display Manuals]
 - 3 Click [] for [e-Manual].
- * Depending on the operating system you are using, a security protection message is displayed. Allow the contents to be displayed.

Page configuration of the e-Manual

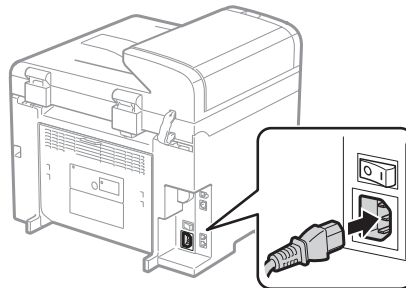


Connecting the Power Cord

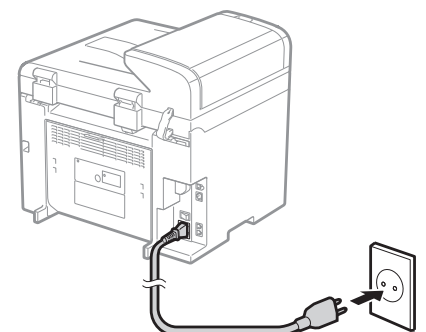
- 1 Ensure that the machine is off.



- 2 Plug the power plug into the power socket.



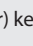
- 3 Plug the power plug into a AC power outlet.

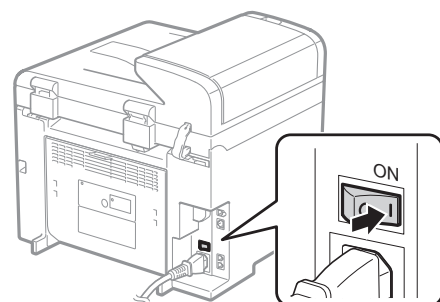


Do not connect the USB cable. Connect the USB cable when installing the software.

Turning the Power ON and Specifying the Initial Settings

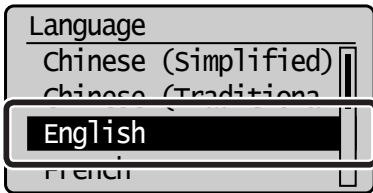
1. Turn ON the machine.

- When turning ON the machine for the first time after installation, it may output a piece of blank paper. This is not a failure.
- The machine enters the Sleep mode to conserve energy when you do not operate the machine for a certain period of time. To cancel the Sleep mode, press the [] (Energy Saver) key on the operation panel.



2. Specify initial settings.

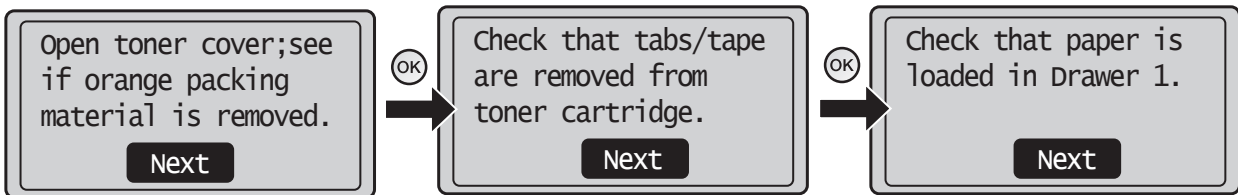
- 1 Press [▲] or [▼] to select, and then press [OK].



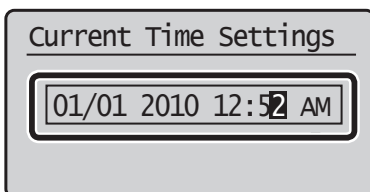
- 2 Press [▲] or [▼] to select, and then press [OK].



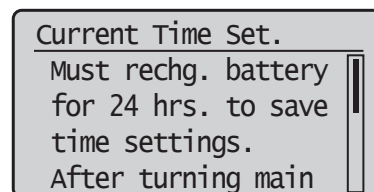
- 3 Check and press [OK].



- 4 Press [▲] or [▼] to specify, and then press [OK].

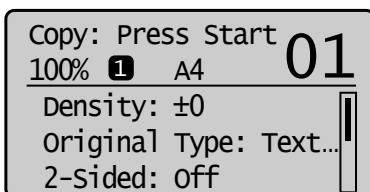


- 5 Press [OK].



- For MF4580dw/MF4570dw, you can also enter values using the numeric key.
- Move the cursor with [◀] or [▶].
- Switch to <AM> or <PM> with [▲] or [▼].

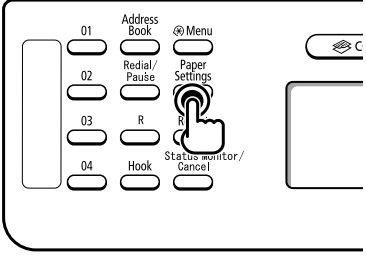
- 6 An initial screen appears, and initial setting is finished.



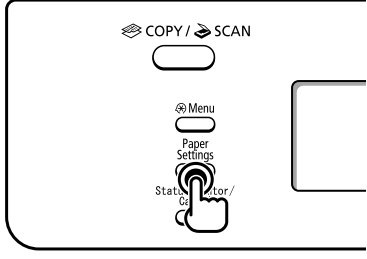
Setting a Paper Size and Type

1 Press [] (Paper Settings).

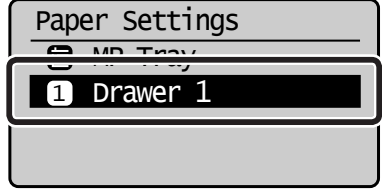
• MF4580dw/MF4570dw



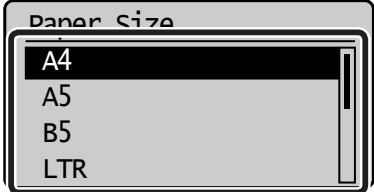
• MF4420w



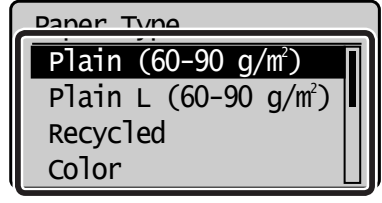
2 Press [▲] or [▼] to select, and then press [OK].



3 Press [▲] or [▼] to select, and then press [OK].



4 Press [▲] or [▼] to select, and then press [OK].



5 Press [] (Paper Settings) to close <Paper Settings> screen.

• When using MF4580dw/MF4570dw
 Next, perform the setup to use the fax function.
Specifying Initial Fax Settings and Connecting a Telephone Cable
 P.7

• When using MF4420w
 Next, select a method for connecting the machine to a computer.
Selecting a Method for Connecting the Machine to a Computer
 P. 10

Specifying Initial Fax Settings and Connecting a Telephone Cable

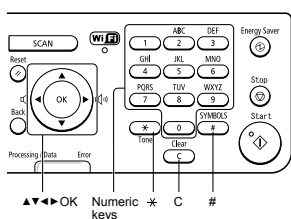
Operate the machine following the on-screen instructions and perform the following settings and connection.

- Registering the fax number and unit name
- Setting the fax receive mode
- Connecting a telephone line

If you are using pulse dialing, change the line type after specifying the settings.

Text Input Method

Enter information (text, symbols, and numbers) into the machine using the following keys.



Changing the entry mode

Press [▼] to select <Entry Mode>, and then press [OK]. You can also press [✳] (Tone) to change the entry mode.

Entry mode	Available text
<A>	Alphabet (capital letters) and symbols
<a>	Alphabet (small letters) and symbols
<12>	Numbers

Moving the cursor (entering a space)

Move the cursor by pressing [◀] or [▶]. To enter a space, move the cursor to the end of the text and press [▶].

Entering text, symbols, and numbers

Enter with the numeric keys or [#] (SYMBOLS).

Key	Entry mode: <A>	Entry mode: <a>	Entry mode: <12>
1	@ . - _ /		1
2	ABC	abc	2
3	DEF	def	3
4	GHI	ghi	4
5	JKL	jkl	5
6	MNO	mno	6
7	PQRS	pqrs	7
8	TUV	tuv	8
9	WXYZ	wxyz	9
0	(Not available)		0
#	- . * # ! " , ; : ^ ` _ = / ' ? \$ @ % & + \ () [] { } < >		(Not available)

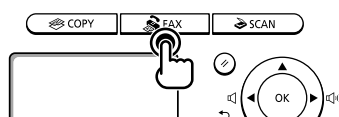
Deleting text, symbols, numbers

To delete text, numbers, or symbols, press [C] (Clear).

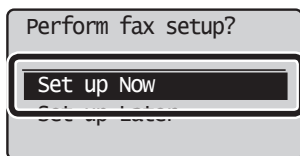
To delete all text, numbers, or symbols, press and hold [C] (Clear).

1. Register the fax number and unit name.

1 Press [FAX].



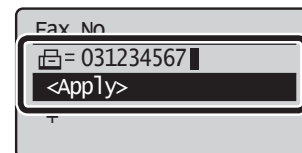
2 Press [▲] or [▼] to select, and then press [OK].



3 Press [OK].

Register the unit telephone number for this machine.
*Next Screen: Press OK

4 Enter.



Display "Fax Setup Guide" with the following operations to perform the settings or connections if selecting <Set up Later>.

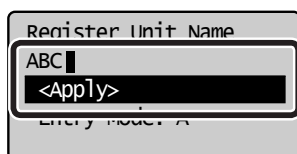
[Menu] () → <Fax TX Settings> → <Fax Setup Guide>.

5 Press [▲] or [▼] to select <Apply>, and then press [OK].

6 Press [OK].

Register unit name.
(Sender name, company name, etc.)
*Next Screen: Press OK

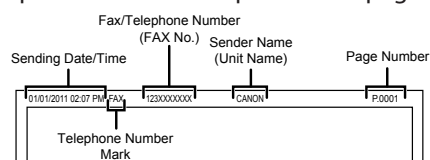
7 Enter.



8 Press [▲] or [▼] to select <Apply>, and then press [OK].

What happens with the unit name

When you send faxes, the registered information is printed on at the top of the fax page.



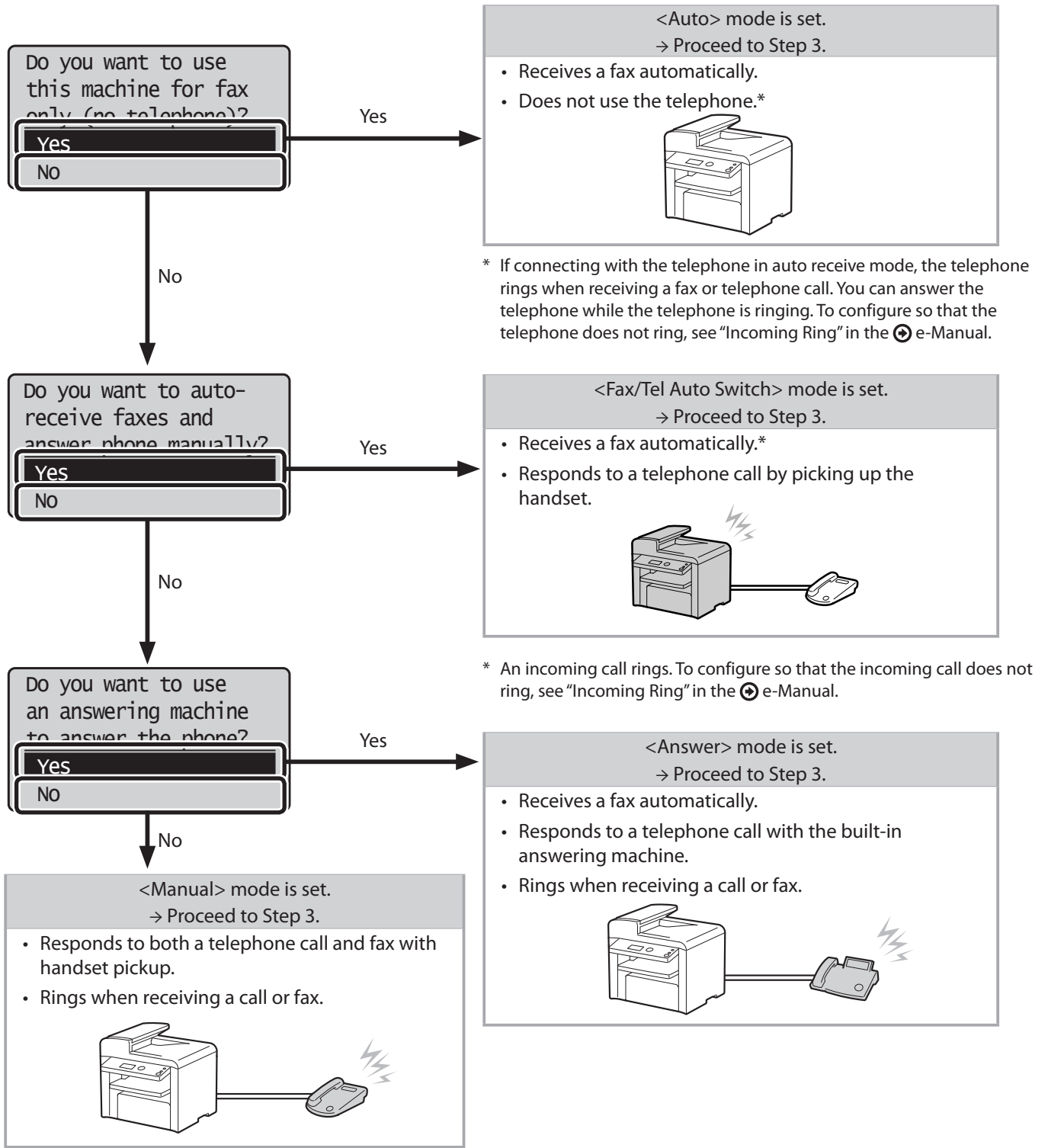
2. Set the fax receive mode.

You can specify how the machine should operate for a fax call or telephone call.

By answering the prompts that appear on the display, the machine will be set to one of the following four operation modes.

<Auto><Fax/Tel Auto Switch><Answer><Manual>

* You can set a receive mode other than the above manually depending on your country or region. For details on the setting procedure, see "Receiving Faxes" in the e-Manual.



3. Connect a telephone line.

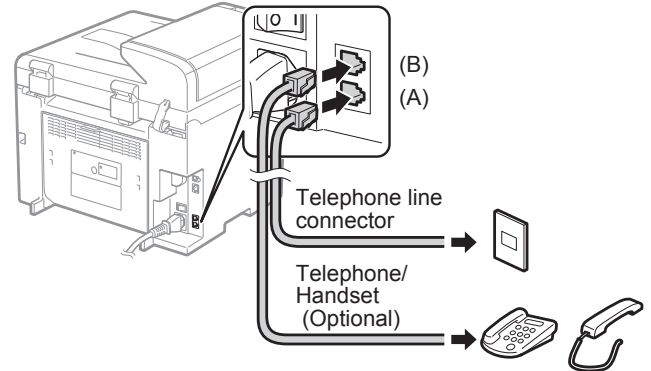
1 Press [OK].

The displayed screen varies depending on the specified receive mode.

Connect phone line.
Follow illustrations
on the next screen:
Connect line to A.
*Next : Press OK

Connect phone line.
Follow instructions
on the next screen
and connect:
1. Phone line to A

2 Connect telephone line to the machine as needed.

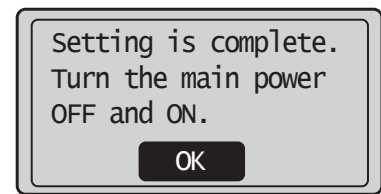
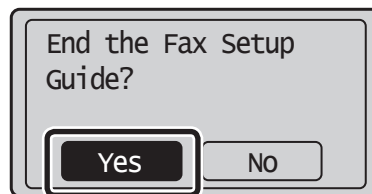


If you want to connect an external telephone with fax functions
Configure the external telephone so that it does not receive faxes automatically (receives faxes manually) to invalidate the automatic fax receiving function.

3 When connecting is finished, press [OK].

4 Press [◀] to select, and then press [OK].

5 Press [OK].



Fax settings and connections have been completed.

6 Restart the machine to activate the settings.

Turn OFF the machine and wait for at least 10 seconds before turning it ON again.

4. Change the line type.

* <Select Line Type> may be unavailable depending on the country where you are using the machine.

By default, the telephone line type on the machine is set to tone dialing. If you use tone dialing, skip the following procedure. If you use pulse dialing, follow the procedure below and change the telephone line type setting on the machine to pulse dialing.

If you do not know the type of telephone line you use, contact your local telephone company.

1 Press [] (Menu).

2 Press [▲] or [▼] to select <Fax TX Settings>, and then press [OK].

3 Press [▲] or [▼] to select <Basic Settings>, and then press [OK].

4 Press [▲] or [▼] to select <Select Line Type>, and then press [OK].

5 Press [▲] or [▼] to select the line type you are using, and then press [OK].
<Dial 10 PPS>: Pulse dialing
<Tone>: Tone dialing (Default)

6 Press [] (Menu) to close the menu screen.

Selecting a Method for Connecting the Machine to a Computer

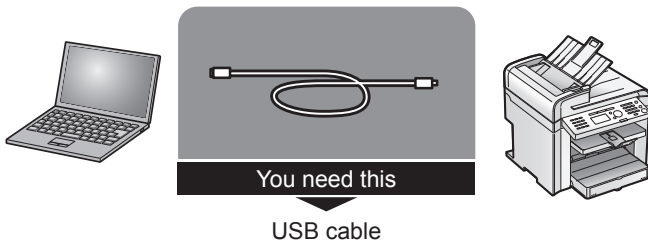
Select from the following three methods, depending on your environment and devices.

If you are not sure whether the router or access point you are using supports wireless LAN or wired LAN, see the instruction manual provided with the network device you are using, or contact the manufacturer.

Connecting via a USB Cable

• Installing the Driver/Software P. 11

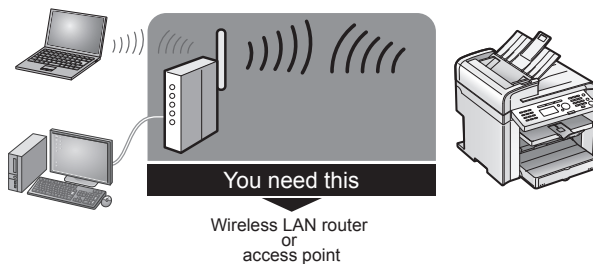
Connect them using a USB cable.



Wireless LAN

• Wireless LAN Setting Guide

Connect using wireless communication (radio frequency) without using a cable.



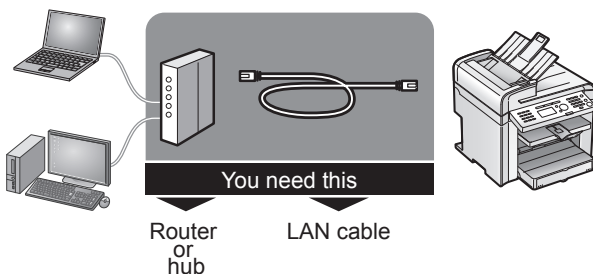
For details, see the Wireless LAN Setting Guide for a separate volume.

* A wireless LAN or access point that supports IEEE802.11 (b/g or n) is required.

Wired LAN

• Connecting to Wired LAN P. 11

Connect them using a LAN cable.



* Check to make sure that there is a free port for connecting the machine or the computer you use to the router or hub.
* Use a Category 5 or higher twisted pair cable for the LAN.

Explanation of Terminology

• LAN (Local Area Network)

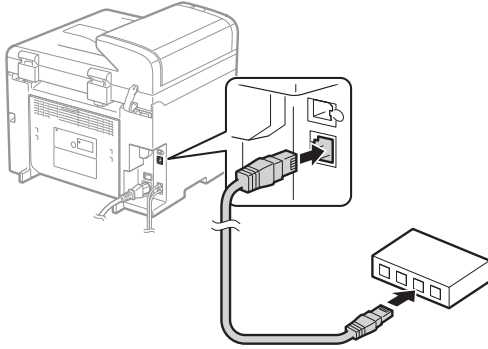
It is a system that enables the sharing of information by connecting multiple devices such as computers that are within a limited area, such as a single room or inside the same building, using cables or wireless communication (radio waves).

• Wireless LAN

It is a network that connects multiple devices using wireless communication (radio waves) without using cables. Generally, it connects to the network using a relay device called a wireless LAN router or access point.

Connecting to Wired LAN

1. Connect the LAN cable.



About the LAN cable

- The machine does not come with a LAN cable or a hub. Have cables or a hub ready as needed.
- Use a Category 5 or higher twisted pair cable for the LAN.

2. The machine sets the IP address automatically. Wait approximately 2 minutes.

If you want to set the IP address manually, see the following.

- e-Manual "Setting IPv4 Address"
- e-Manual "Setting IPv6 Address"

About obtaining the IP address automatically (AutoIP)

- <DHCP> or <Auto IP> is enabled in the default setting. Even if you do not set the IP address manually, this machine can obtain it automatically.
- Even if you do not have a dedicated device such as a DHCP server, the IP address is obtained automatically.
 - The <DHCP> setting is prioritized over <Auto IP>.
- If a fixed IP address is set as the IP address of the computer, set the fixed IP address also for this machine manually.

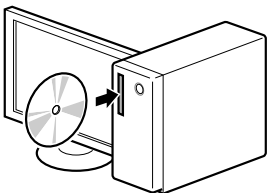
If the IP address of the machine is changed

When the machine and computer are on the same subnet, the connection is maintained.

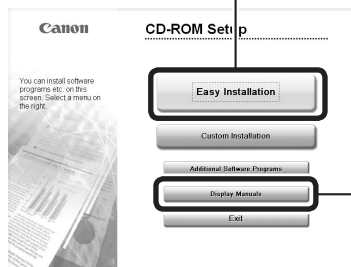
Installing the Driver/Software

Use the supplied User Software CD-ROM to install the drivers and software.
The details of the installation is not described in this manual, see the MF Driver Installation Guide.

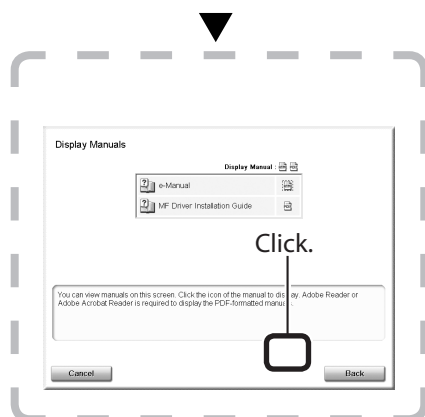
1 Insert the CD-ROM.



2 Click.



Click when referring to the MF Driver Installation Guide.



Perform Useful Tasks

Copy

• Enlarged/Reduced Copies

You can enlarge or reduce standard size documents to copy on standard size paper or specify the copy ratio in percentage.

• 2-Sided Copying (MF4580dw/MF4570dw Only)

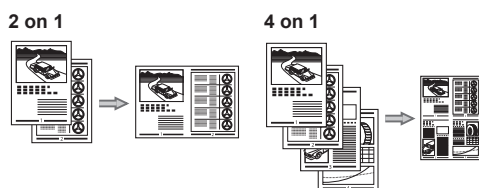
You can copy 1-sided documents on both sides of paper.

• Collating

You can sort copies into sets arranged in page order.

• Reduced Layout

You can reduce multiple documents to copy them onto one sheet.



• Copying ID Card

You can make a copy of a 2-sided card onto one side of paper.

Fax (MF4580dw/MF4570dw Only)

• Sending a Document Directly from a Computer (PC Fax)

In addition to the normal sending and receiving faxes, you can use the PC fax.

• Sending

You can register fax destinations in the address book. You can specify the destinations using various methods, enabling you to send documents quickly and easily.

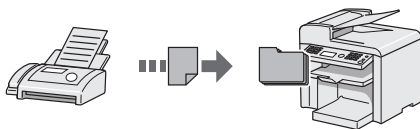
- Destination search
- One-touch keys
- Coded dialing
- Destination Group
- Specifying from the sending history
- Sequential broadcast

• Receiving

- Receiving in the memory

You can store the received documents in the memory.

You can print the stored documents at any time or if you do not need them, you can delete them.



• Remote Receiving

If an external telephone is connected, you can switch to the fax receiving mode immediately by dialing the ID number for fax receiving using the dial buttons of the telephone during a phone call.

Network Settings

This machine comes equipped with a network interface that you can construct a network environment easily. You can connect to the network using the wireless LAN. Also you can print a document, use the PC fax, and use the network scan from all computers which are connected with the machine. The machine supports to increase work efficiency as a shared machine in the office.

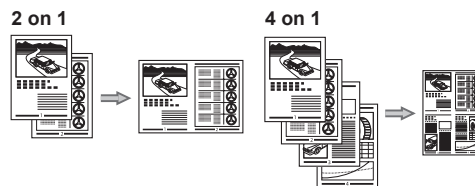
Print

• Enlarged/Reduced Printing

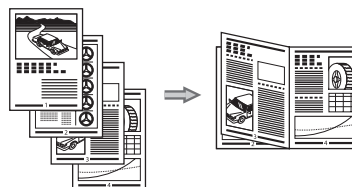
• 2-Sided Printing (MF4580dw/MF4570dw Only)

• Reduced Layout

You can reduce multiple documents to print them onto one sheet.



• Booklet Printing (MF4580dw/MF4570dw Only)



• Poster Printing

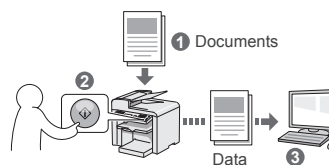
• Watermark Printing

• Displaying a Preview before Printing

• Selecting a "Profile"

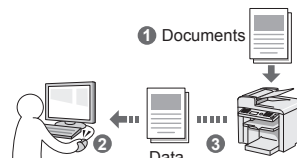
Scan

• Saving the Documents Using the Operation Panel of the Machine



• Saving the Documents Using Operations from a Computer

- Scanning with the MF Toolbox



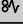
- Scanning from an Application
- Scanning with the WIA Driver (Windows XP/Vista/7 Only)

Remote UI


You can understand the condition of the machine from the computers on the network. You can access the machine and manage jobs or specify various settings via network.

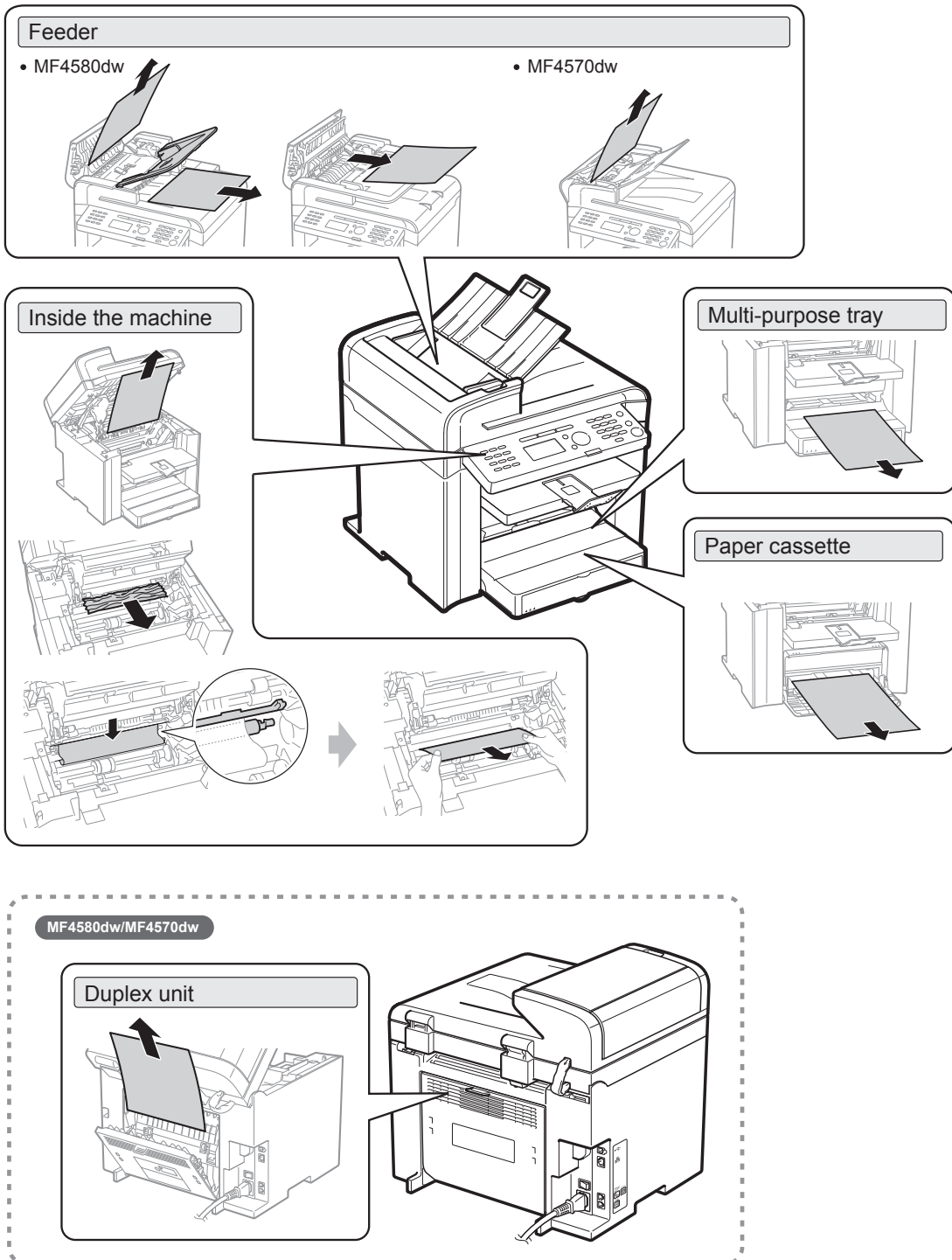
Clearing Paper Jams

If the following screen appears, a paper jam has occurred in the feeder or inside the machine. Following the procedure displayed on the screen, remove the jammed document or paper.

 Paper jam.
Press [▶] to display steps.

For details on the procedure for clearing paper jams

This manual indicates only areas where paper jams occur. For details on the procedures, see the  e-Manual.



Replacing Toner Cartridge

Toner cartridges are consumable products. When the toner has almost or completely run out in the middle of operating this machine, a message appears in the display, or the symptoms described below appears. Follow a proper resolution depending on the message or symptom.

When a Message Appears (MF4580dw/MF4570dw Only)

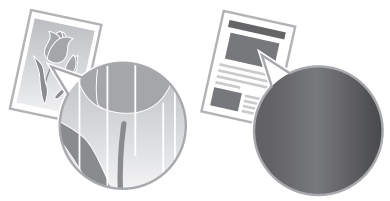
When the toner becomes nearly out in the middle of operating this machine, a message appears in the display.

Message	When It Is Displayed	Description and Solutions
<Prepare toner cartridge.>	When a toner cartridge soon needs to be replaced.	Redistribute the toner. ➔ e-Manual "Before Replacing the Toner Cartridge" It is recommended that you replace the toner cartridge before printing a large amount of data. ➔ e-Manual "Replacing the Toner Cartridge"
<Toner is nearly out.>	When a toner cartridge has reached the end of its life.	Redistribute the toner. ➔ e-Manual "Before Replacing the Toner Cartridge" If this message does not disappear, replace the toner cartridge. ➔ e-Manual "Replacing the Toner Cartridge" If this message is displayed, the incoming fax will be stored in the memory without being printed. Also, reports may not be printed, even if they are set to be printed automatically. If <Continue Print. When Toner Is Nearly Out> in <RX Function Settings> is set to <On>, however, printing will be continued, but white streaks or smudges may appear on printouts. ➔ e-Manual "Setting the Report to Print Automatically (MF4580dw/MF4570dw Only)" ➔ e-Manual "Continue Print. When Toner Is Nearly Out"

White streaks appear or some parts are faded
 If white streaks appear on the printouts or some parts are faded, the toner cartridge has almost reached the end of its life, even if no messages appear on the screen. If print quality declines, see "When White Streaks Appear On the Printouts or Some Parts Are Faded" and solve the problem.

When White Streaks Appear On the Printouts or Some Parts Are Faded

If the toner almost runs out, white streaks appear on the printouts or some parts are faded.



* No message appears on the display even if the toner almost runs out. Replace the toner cartridge when white streaks appear on the printouts or some parts of the printout are faded.

▼ **If the above symptoms appear**

Follow the procedure in the section below before replacing the toner cartridge. You may print for some time, until the toner completely runs out.
 ➔ e-Manual "Before Replacing the Toner Cartridge"

▼ **If print result is not improved**

If white streaks or faded parts continue to appear after following the procedure in the section above, replace the toner cartridge.
 ➔ e-Manual "Replacing the Toner Cartridge"

Replacing the Toner Cartridge with a New One

See the ⓘ e-Manual and replace toner cartridge.

For optimum print quality, replacing the toner cartridge with Canon genuine ones is recommended.

Model name	Supported Canon genuine toner cartridge
MF4580dw MF4570dw MF4420w	Canon Cartridge 328

About the Supplied Toner Cartridge

The average yield of the included toner cartridge is as follows.

Canon Cartridge 328 Starter	Average yield*1 : 1,000 sheets
-----------------------------	--------------------------------

*1 The average yield is on the basis of "ISO/IEC 19752"*2 when printing A4 size paper with the default print density setting.

*2 "ISO/IEC 19752" is the global standard related to "Method for the determination of toner cartridge yield for monochromatic electrophotographic printers and multi-function devices that contain printer components" issued by ISO (International Organization for Standardization).

The average yield of the replacement toner cartridge is different from which of the supplied toner cartridge.
For purchasing replacement toner cartridge, see "About Replacement Toner Cartridge" in the ⓘ e-Manual.

Symbols Used in This Manual

⚠ WARNING

Indicates a warning concerning operations that may lead to death or injury to persons if not performed correctly. To use the machine safely, always pay attention to these warnings.

⚠ CAUTION

Indicates a caution concerning operations that may lead to injury to persons if not performed correctly. To use the machine safely, always pay attention to these cautions.

🚫 IMPORTANT

Indicates operational requirements and restrictions. Be sure to read these items carefully to operate the machine correctly, and avoid damage to the machine or property.



Indicates an operation that must not be performed. Read these items carefully, and make sure not to perform the described operations.

Keys and Buttons Used in This Manual

The following symbols and key names are a few examples of how keys to be pressed are expressed in this manual.

- Operation panel keys: [Key icon] + (Key name)
Example: [⏹] (Stop)
- Display: <Specify destination.>
- Buttons and items on the computer display: [Preferences]

Illustrations and Displays Used in This Manual

Illustrations and displays used in this manual are which of MF4570dw unless specified.

Important Safety Instructions

Please read these "Important Safety Instructions" thoroughly before operating the machine.

As these instructions are intended to prevent injury to the user and other persons or to prevent destruction of property, always pay attention to these instructions and operational requirements.

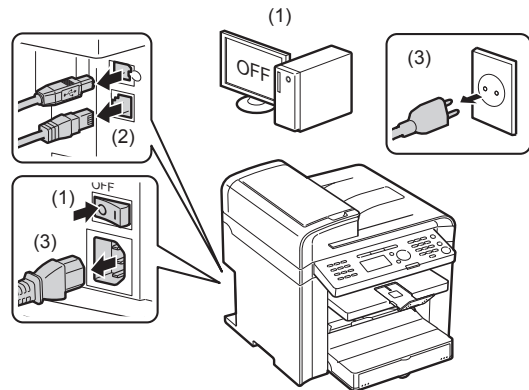
Also, as it may result in unexpected accidents or injuries, do not perform any operation unless otherwise specified in the manual.

Installation

⚠ WARNING

- Do not install the machine in a location near alcohol, paint thinner, or other flammable substances. If flammable substances come into contact with electrical parts inside the machine, this may result in a fire or electrical shock.
- Do not use this product near any medical electric equipments. Radiowave emitted from this product may influence those medical electric equipments. This may result in accidents caused by malfunction.
- Do not place the following items on the machine.
 - Necklaces and other metal objects
 - Cups, vases, flowerpots, and other containers filled with water or liquids

If these items come into contact with a high-voltage area inside the machine, this may result in a fire or electrical shock. If these items are dropped or spilled inside the machine, immediately turn off the power switches of the machine and computer (1) and disconnect the interface cable if it is connected (2). Then, unplug the power plug from the AC power outlet (3) and contact your local authorized Canon dealer.



⚠ CAUTION

- Do not install the machine in unstable locations, such as on unsteady platforms or inclined floors, or in locations subject to excessive vibrations, as this may cause the machine to fall or tip over, resulting in personal injury.
- The ventilation slots are provided for proper ventilation of working parts inside the machine. Never place the machine on a soft surface, such as a bed, sofa, or rug. Blocking the slots can cause the machine to overheat, resulting in a fire.
- Do not install the machine in the following locations, as this may result in a fire or electrical shock.
 - A damp or dusty location
 - A location exposed to smoke and steam, such as near a cookery or humidifier
 - A location exposed to rain or snow
 - A location near a water faucet or water
 - A location exposed to direct sunlight
 - A location subject to high temperatures
 - A location near open flames
- When installing the machine, gently lower the machine to the installation site so as not to catch your hands between the machine and the floor or between the machine and other equipment, as this may result in personal injury.
- When connecting the interface cable, connect it properly by following the instructions in this manual. If not connected properly, this may result in malfunction or electrical shock.
- When moving the machine, follow the instructions in this manual to hold it correctly. Failure to do so may cause you to drop the machine, resulting in personal injury.
 - Ⓞ e-Manual "Transporting the Machine"

Power Supply

⚠ WARNING

- Do not damage or modify the power cord. Also, do not place heavy objects on the power cord or pull on or excessively bend it. This can cause electrical damage, resulting in fire or electrical shock.
- Keep the power cord away from all heat sources. Failure to do so can cause the power cord insulation to melt, resulting in a fire or electrical shock.
- The power cord should not be taut, as this may lead to a loose connection and cause overheating, which could result in a fire.
- The power cord may become damaged if it is stepped on, fixed with staples, or if heavy objects are placed on it.
- Continued use of a damaged power cord can lead to an accident, such as a fire or electrical shock.
- Do not plug or unplug the power plug with wet hands, as this can result in electrical shock.
- Do not plug the power cord into a multiplug power strip, as this can result in a fire or electrical shock.
- Do not bundle up or tie up the power cord in a knot, as this can result in a fire or electrical shock.
- Insert the power plug completely into the AC power outlet. Failure to do so can result in a fire or electrical shock.

- If excessive stress is applied to the connection part of the power cord, it may damage the power cord or the wires inside the machine may disconnect. This could result in a fire. Avoid the following situations:
 - Connecting and disconnecting the power cord frequently.
 - Tripping over the power cord.
 - The power cord is bent near the connection part, and continuous stress is being applied to the power outlet or the connection part.
 - Applying a shock to the power connector.
- Do not use power cords other than the one provided, as this can result in a fire or electrical shock.
- As a general rule, do not use extension cords. Using an extension cord may result in a fire or electrical shock.
- Remove the power plug from the AC power outlet and refrain from using the machine during a thunder storm. Lightning can result in a fire, electrical shock or malfunction.

⚠ CAUTION

- Do not use a power supply voltage other than that listed herein, as this may result in a fire or electrical shock.
- Always grasp the power plug when unplugging the power plug. Do not pull on the power cord, as this may expose the core wire of the power cord or damage the cord insulation, causing electricity to leak, resulting in a fire or electrical shock.
- Leave sufficient space around the power plug so that it can be unplugged easily. If objects are placed around the power plug, you may be unable to unplug it in an emergency.

Handling

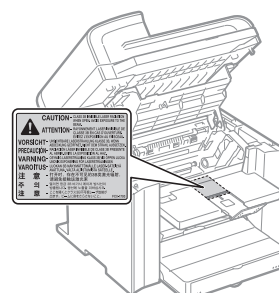
⚠ WARNING

- Do not disassemble or modify the machine. There are high-temperature and high-voltage components inside the machine which may result in a fire or electrical shock.
- Electrical equipment can be hazardous if not used properly. Do not allow children to touch the power cord, cables, internal gears, or electrical parts.
- If the machine makes an unusual noise or emits smoke, heat, or an unusual smell, immediately turn off the power switches of the machine and computer and disconnect the interface cable if it is connected. Then, unplug the power plug from the AC power outlet and contact your local authorized Canon dealer. Continued use can result in a fire or electrical shock.
- Do not use flammable sprays near the machine. If flammable substances come into contact with electrical parts inside the machine, this may result in a fire or electrical shock.
- Always turn off the power switches of the machine and computer, and then unplug the power plug and interface cables before moving the machine. Failure to do so can damage the cables or cords, resulting in a fire or electrical shock.
- Confirm that the power plug or power connector is inserted completely after moving the machine. Failure to do so can result in an overheating and fire.
- Do not drop paper clips, staples, or other metal objects inside the machine. Also, do not spill water, liquids, or other flammable substances (alcohol, benzene, paint thinner, etc.) inside the machine. If these items come into contact with a high-voltage area inside the machine, this may result in a fire or electrical shock. If these items are dropped or spilled inside the machine, immediately turn off the power switches of the machine and computer and disconnect the interface cable if it is connected. Then, unplug the power plug from the AC power outlet and contact your local authorized Canon dealer.
- When plugging or unplugging a USB cable when the power plug is plugged into an AC power outlet, do not touch the metal part of the connector, as this can result in electrical shock.

⚠ CAUTION

- Do not place heavy objects on the machine. The object or the machine may fall, resulting in personal injury.
- Turn off the power switch when the machine will not be used for a long period of time, such as overnight. Turn off the machine and unplug the power plug if the machine will not be used for an extended period of time, such as for several days.
- Open or close covers and install or remove cassettes gently and carefully. Be careful not to hurt your fingers.
- Keep your hands and clothing away from the roller in the output area. Even if the machine is not printing, the roller may suddenly rotate and catch your hands or clothing, resulting in personal injury.
- The output slot is hot during and immediately after printing. Do not touch the area surrounding the output slot, as this may result in burns.
- Printed paper may be hot immediately after being output. Be careful when removing the paper and aligning the removed paper, especially after continuous printing. Failure to do so may result in burns.

- When performing copy with a thick book placed on the platen glass, do not press the feeder or the platen glass cover forcefully. This may damage the platen glass and cause personal injury.
- Be careful not to drop a heavy object, such as a dictionary, on the platen glass. This may damage the platen glass and cause personal injury.
- Close the feeder or the platen glass cover gently so as not to catch your hand. This may result in personal injury.
- The laser beam can be harmful to the human body. The laser beam is confined in the laser scanner unit by a cover, so there is no danger of the laser beam escaping during normal machine operation. Read the following remarks and instructions for safety.
 - Never open covers other than those indicated in this manual.
 - Do not remove the caution label attached to the cover of the laser scanner unit.



- If the laser beam should escape and enter your eyes, exposure may cause damage to your eyes.

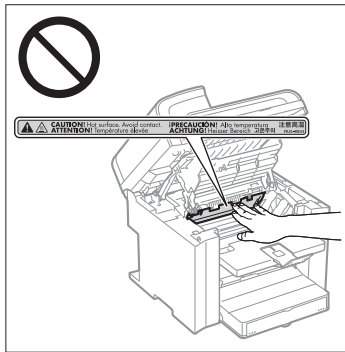
Maintenance and Inspections

⚠ WARNING

- When cleaning the machine, turn off the machine and computer, and unplug the interface cables and power plug. Failure to do so can result in a fire or electrical shock.
- Unplug the power plug from the AC power outlet periodically and clean the area around the base of the power plug's metal pins and the AC power outlet with a dry cloth to remove all dust and grime. In damp, dusty, or smoky locations, dust can build up around the power plug and become damp, which can cause a short circuit, resulting in a fire.
- Clean the machine with a well wrung out cloth dampened with water or mild detergent diluted with water. Do not use alcohol, benzene, paint thinner, or other flammable substances. If flammable substances come into contact with electrical parts inside the machine, this may result in a fire or electrical shock.
- Some areas inside the machine are subject to high voltage. When removing jammed paper or when inspecting inside of the machine, be careful not to allow necklaces, bracelets, or other metal objects to touch the inside of the machine, as this can result in burns or electrical shock.
- Do not dispose of used toner cartridges in open flames. This may cause the toner remaining inside the cartridges to ignite, resulting in burns or fire.
- Confirm that the power plug or power connector is inserted completely after cleaning the machine. Failure to do so can result in an overheating and fire.
- Check the power cord and plug regularly. The following conditions may result in fire, so please contact your local authorized Canon dealer or the Canon help line.
 - There are burn marks on the power plug.
 - The blade on the power plug is deformed or broken.
 - The power is turned OFF or ON when bending the power cord.
 - The coating of the power cord is damaged, cracked, or dented.
 - A part of the power cord becomes hot.
- Check regularly that the power cord and plug are not handled in the following manner. Failure to do so can result in a fire or electrical shock.
 - The power connector is loosened.
 - Stress is being applied to the power cord by a heavy object or by fixing it with staples.
 - The power plug is loosened.
 - The power cord is tied in a bundle.
 - A part of the power cord is put in an aisle.
 - The power cord is put in front of the heating appliance.

CAUTION

- The fixing unit and its surroundings inside the machine become hot during use. When removing jammed paper or when inspecting the inside of the machine, do not touch the fixing unit and its surroundings, as this may result in burns.



- When removing jammed paper or when inspecting the inside of the machine, do not expose yourself to the heat emitted from the fixing unit and its surroundings for a prolonged period of time. Doing so may result in low temperature burns, even though you did not touch the fixing unit and its surroundings directly, as this may result in burns.
- If paper is jammed, remove the jammed paper so that any pieces of paper do not remain inside the machine according to the displayed message. Also, do not put your hand in an area other than indicated areas, as this may result in personal injuries or burns.
- When removing jammed paper or replacing a toner cartridge, be careful not to get any toner on your hands or clothing, as this will dirty your hands or clothing. If toner gets on your hands or clothing, wash them immediately with cold water. Washing with warm water sets the toner, making it impossible to remove the toner stains.
- When removing jammed paper, be careful not to allow the toner on the paper to scatter. The toner may get into your eyes or mouth. If toner gets into your eyes or mouth, wash them immediately with cold water and consult a physician.
- When loading paper or removing jammed documents or paper, be careful not to cut your hands with the edges of the paper.
- When removing a toner cartridge, remove the toner cartridge carefully so as to prevent the toner from scattering and getting into your eyes or mouth. If toner gets into your eyes or mouth, wash them immediately with cold water and consult a physician.
- Do not attempt to disassemble the toner cartridge. The toner may scatter and get into your eyes or mouth. If toner gets into your eyes or mouth, wash them immediately with cold water and consult a physician.
- If toner leaks from the toner cartridge, be careful not to inhale the toner or allow it to come into direct contact with your skin. If the toner comes into contact with your skin, wash with soap. If the skin becomes irritated or you inhale the toner, consult a physician immediately.

Consumables

WARNING

- Do not dispose of used toner cartridges in open flames. This may cause the toner to ignite, resulting in burns or fire.
- Do not store toner cartridges or paper in a location exposed to open flames. This may cause the toner or paper to ignite, resulting in burns or fire.
- When disposing of a toner cartridge, place the toner cartridge into a bag to prevent the toner from scattering, and then dispose of the toner cartridge according to local regulations.

CAUTION

- Keep the toner cartridges and other consumables out of the reach of small children. If the toner or other parts are ingested, consult a physician immediately.
- Do not attempt to disassemble the toner cartridge. The toner may scatter and get into your eyes or mouth. If toner gets into your eyes or mouth, wash them immediately with cold water and consult a physician.
- If toner leaks from the toner cartridge, be careful not to inhale the toner or allow it to come into direct contact with your skin. If the toner comes into contact with your skin, wash with soap. If the skin becomes irritated or you inhale the toner, consult a physician immediately.
- Do not pull out the sealing tape forcefully or stop at midpoint, as this may cause toner to spill out. If toner gets into your eyes or mouth, wash them immediately with cold water and consult a physician.

Others

WARNING

- If you are using a cardiac pacemaker
This machine generates a low level magnetic field. If you use a cardiac pacemaker and feel abnormalities, please move away from this machine and consult your physician immediately.

Installation Requirements and Handling

In order to use this machine in a safe and trouble-free manner, install the machine in a place that fulfills the following conditions. Also, read the remarks carefully.

Temperature and Humidity Conditions

- Temperature range: 10 to 30°C
- Humidity range: 20 to 80 % RH (no condensation)

IMPORTANT

Protecting the machine from condensation

- To prevent condensation from forming inside the machine in the following cases, let the machine adjust to the ambient temperature and humidity for at least two hours before use.
 - When the room where the machine is installed is heated rapidly
 - When the machine is moved from a cool or dry location to a hot or humid location
- If water droplets (condensation) form inside the machine, this can result in paper jams or poor print quality.

When using an ultrasonic humidifier

When you are using an ultrasonic humidifier, it is therefore recommended that you use purified water or other water that is free of impurities. If you use tap water or well water, impurities in the water will be dispersed through the air. This can be trapped inside the machine, causing degradation in print quality.

Power Supply Requirements

220 to 240 V, 50/60 Hz

IMPORTANT

Precautions when connecting the power cord

- Do not connect this machine to an uninterruptible power source.
- Use an AC power outlet exclusively for the machine. Do not use the other sockets of the AC power outlet.
- Do not plug the power plug into the auxiliary outlet on a computer. Do not use the same AC power outlet for both the machine and any of the following equipment.
 - Copy machine
 - Air conditioner
 - Shredder
 - Equipment that consumes a large amount of electricity
 - Equipment that generates electrical noise
- When unplugging the power cord, keep interval of 5 seconds or more before plugging it again.

Miscellaneous precautions

- The maximum power consumption of the machine is 1,290 W or less.
- Electrical noise or a dramatic drop in supplied voltage may cause the machine or computer to operate incorrectly or lose data.

Installation Requirements

- A location with sufficient space
- A location with good ventilation
- A location with a flat, even surface
- A location able to fully support the weight of the machine

IMPORTANT

Do not install the machine in the following locations, as this may result in damage to the machine.

- A location subject to dramatic changes in temperature or humidity
- A location subject to condensation
- A poorly ventilated location
(If you use the machine for a long time or to perform a large amount of printing in a poorly ventilated room, the ozone or other odors generated by the machine may create an uncomfortable working environment. In addition, chemical particles are dispersed during printing; therefore, it is important to provide adequate ventilation.)
- A location near equipment that generates magnetic or electromagnetic waves
- A laboratory or location where chemical reactions occur
- A location exposed to salt air, corrosive gases, or toxic gases
- A location, such as on a carpet or mat, that may warp from the weight of the machine or where the machine is liable to sink.

Notes on wireless LAN

- This product is designed for indoor use 50 m (may vary on the communication speed or environmental condition) or less away from an access point. Keep it at an appropriately close distance.
- Check if masking is found or not. Communications across walls or between floors are generally deteriorated. Arrange appropriate installment.
- Radio wave interference may occur if any radiowave emitting equipment (i.e. microwave) is found near the product and its radiowave is in the same frequency band as the radiowave used by a wireless LAN. Keep the product away from those radio wave interference sources as much as possible.

Maintenance and Inspections

IMPORTANT

- Follow the instructions in the caution label attached to this machine.
- Avoid shaking or applying a shock to this machine.
- To prevent a paper jam, do not turn the power ON/OFF, open/close the operation panel or rear cover, and load/unload paper in the middle of printing operation.
- Be sure to remove the toner cartridge from the machine when transporting the machine to a distance.
- To avoid exposing the toner cartridge to light, place it in the protective bag included with this machine or wrap it in a thick cloth.
- Clean this machine regularly. If this machine becomes dusty, it may operate improperly.
- Use a modular cable of 3 m or shorter in length.
- Depending on your locale or your telephone connection, you may be unable to perform data communication. In this case, contact your local authorized Canon dealer or the Canon help line.
- The repairing parts and toner cartridges for the machine will be available for at least seven (7) years after production of this machine model has been discontinued.

Contacting Service Center

When you have a problem with your machine and you cannot solve it, even if you refer to the manuals or online help, please contact your local authorized Canon dealer from whom you purchased the equipment (if under warranty), or with whom you have a servicing contact.

Legal Notices

Model Names

MF4580dw (F163402)
MF4570dw (F163402)
MF4420w (F163500)

EMC requirements of EC Directive

This equipment conforms with the essential EMC requirements of EC Directive. We declare that this product conforms with the EMC requirements of EC Directive at nominal mains input 230 V, 50 Hz although the rated input of the product is 220 to 240 V, 50/60 Hz. Use of shielded cable is necessary to comply with the technical EMC requirements of EC Directive.

International ENERGY STAR Program



As an ENERGY STAR® Partner, Canon Inc. has determined that this product meets the ENERGY STAR Program for energy efficiency.

The International ENERGY STAR Office Equipment Program is an international program that promotes energy saving through the use of computers and other office equipment.

The program backs the development and dissemination of products with functions that effectively reduce energy consumption. It is an open system in which business proprietors can participate voluntarily.

The targeted products are office equipment, such as computers, displays, printers, facsimiles, and copiers. The standards and logos are uniform among participating nations.

IPv6 Ready Logo



The protocol stack included in this machine has obtained the IPv6 Ready Logo Phase-1 established by the IPv6 Forum.

Laser Safety Information

Laser radiation could be hazardous to the human body. For this reason, laser radiation emitted inside this equipment is hermetically sealed within the protective housing and external cover. No radiation can leak from the machine in the normal operation of the product by the user.

This machine is classified as a Class 1 Laser Product under IEC 60825-1: 2007, EN60825-1: 2007.

220 to 240 V Model

The label shown below is attached to the laser scan unit on the machine.



This machine has been classified under IEC 60825-1: 2007, EN60825-1: 2007 and conforms to the following classes:

CLASS 1 LASER PRODUCT
LASER KLASSE 1
APPAREIL À LASER DE CLASSE 1
APPARECCHIO LASER DI CLASSE 1
PRODUCTO LÁSER DE CLASSE 1
APARELHO A LASER DE CLASSE 1
LUOKAN 1 LASER-TUOTE
LASERPRODUKT KLASSE 1

CAUTION

Use of controls, adjustments, or performance of procedures other than those specified in the manuals for the machine may result in hazardous radiation exposure.

Users in New Zealand

This equipment does not fully meet Telecom's impedance requirements. Performance limitations may occur when used in conjunction with some parts of the network. Telecom will accept no responsibility should difficulties arise in such circumstances.

Trademarks

Canon, the Canon logo, and imageCLASS are trademarks of Canon Inc. Microsoft, Windows and Windows Vista are either trademarks or registered trademarks of Microsoft Corporation in the United States and/or other countries. All other product and brand names are registered trademarks, trademarks or service marks of their respective owners.

Copyright

© 2011 by Canon Inc. All rights reserved.
No part of this publication may be reproduced, transmitted, transcribed, stored in a retrieval system, or translated into any language or computer language in any form or by any means, electronic, mechanical, magnetic, optical, chemical, manual, or otherwise, without the prior written permission of Canon Inc.

Third Party Software

This product includes third-party software modules. Use and distribution of this software modules, including any updates of such software modules (collectively, the "SOFTWARE") are subject to conditions (1) through (9) below.

- (1) You agree that you will comply with any applicable export control laws, restrictions or regulations of the countries involved in the event that this product including the SOFTWARE is shipped, transferred or exported into any country.
- (2) Rights holders of the SOFTWARE retain in all respects the title, ownership and intellectual property rights in and to the SOFTWARE. Except as expressly provided herein, no license or right, expressed or implied, is hereby conveyed or granted by rights holders of the SOFTWARE to you for any intellectual property of rights holders of the SOFTWARE.
- (3) You may use the SOFTWARE solely for use with the Canon product you purchased (the "PRODUCT").
- (4) You may not assign, sublicense, market, distribute, or transfer the SOFTWARE to any third party without prior written consent of rights holders of the SOFTWARE.
- (5) Notwithstanding the foregoing, you may transfer the SOFTWARE only when (a) you assign all of your rights to the PRODUCT and all rights and obligations under the conditions to transferee and (b) such transferee agrees to be bound by all these conditions.
- (6) You may not decompile, reverse engineer, disassemble or otherwise reduce the code of the SOFTWARE to human readable form.
- (7) You may not modify, adapt, translate, rent, lease or loan the SOFTWARE or create derivative works based on the SOFTWARE.
- (8) You are not entitled to remove or make separate copies of the SOFTWARE from the PRODUCT.
- (9) The human-readable portion (the source code) of the SOFTWARE is not licensed to you.

Notwithstanding (1) through (9) above, in case the other conditions accompany third-party software modules, these software modules are subject to the other conditions.

The Software Subjected to the Other Conditions

Please refer to eManual on a CD-ROM bundled with this product, for more detail and corresponding license conditions.

Disclaimers

The information in this document is subject to change without notice.
CANON INC. MAKES NO WARRANTY OF ANY KIND WITH REGARD TO THIS MATERIAL, EITHER EXPRESS OR IMPLIED, EXCEPT AS PROVIDED HEREIN, INCLUDING WITHOUT LIMITATION, THEREOF, WARRANTIES AS TO MARKETABILITY, MERCHANTABILITY, FITNESS FOR A PARTICULAR PURPOSE OF USE OR NON-INFRINGEMENT. CANON INC. SHALL NOT BE LIABLE FOR ANY DIRECT, INCIDENTAL, OR CONSEQUENTIAL DAMAGES OF ANY NATURE, OR LOSSES OR EXPENSES RESULTING FROM THE USE OF THIS MATERIAL.

Legal Limitations on Usage of Your Product and the Use of Images

Using your product to scan, print or otherwise reproduce certain documents, and the use of such images as scanned, printed or otherwise reproduced by your product, may be prohibited by law and may result in criminal and/or civil liability. A non-exhaustive list of these documents is set forth below. This list is intended to be a guide only. If you are uncertain about the legality of using your product to scan, print or otherwise reproduce any particular document, and/or of the use of the images scanned, printed or otherwise reproduced, you should consult in advance with your legal advisor for guidance.

- Paper Money
- Traveler's Checks
- Money Orders
- Food Stamps
- Certificates of Deposit
- Passports
- Postage Stamps (canceled or uncanceled)
- Immigration Papers
- Identifying Badges or Insignias
- Internal Revenue Stamps (canceled or uncanceled)
- Selective Service or Draft Papers
- Bonds or Other Certificates of Indebtedness
- Checks or Drafts Issued by Governmental Agencies
- Stock Certificates
- Motor Vehicle Licenses and Certificates of Title
- Copyrighted Works/Works of Art without Permission of Copyright Owner

Considerable effort has been made to make sure that the manuals for the machine are free of inaccuracies and omissions. However, as we are constantly improving our products if you need an exact specification, please contact Canon.

Canon

CANON INC.

30-2, Shimomaruko 3-chome, Ohta-ku, Tokyo 146-8501, Japan

CANON MARKETING JAPAN INC.

16-6, Konan 2-chome, Minato-ku, Tokyo 108-8011, Japan

CANON U.S.A., INC.

One Canon Plaza, Lake Success, NY 11042, U.S.A.

CANON EUROPA N.V.

Bovenkerkerweg, 59-61, 1185 XB Amstelveen, The Netherlands

CANON CHINA CO. LTD.

15F Jinbao Building No.89, Jinbao Street, Dongcheng District, Beijing 100005, PRC

CANON SINGAPORE PTE LTD

1 HarbourFront Avenue, #04-01 Keppel Bay Tower, Singapore 098632

CANON AUSTRALIA PTY LTD

1 Thomas Holt Drive, North Ryde, Sydney NSW 2113, Australia

CANON GLOBAL WORLDWIDE SITES

<http://www.canon.com/>



FT5-4215-010