



G1010 series

Manual en línea

Funcionamiento básico
Cómo tratar el papel, Depósitos de tinta, etc.
Mantenimiento
Descripción del equipo
Información acerca del papel
Impresión
Copia
Preguntas más frecuentes
Lista de códigos de asistencia para errores

Contenido

Utilización del Manual en línea.	6
Símbolos utilizados en este documento.	7
Usuarios con dispositivos con activación táctil (Windows).	8
Marcas comerciales y licencias.	9
Funcionamiento básico.	23
Impresión de fotos desde un ordenador.	24
Cómo tratar el papel, Depósitos de tinta, etc..	28
Carga de papel.	29
Carga de papel normal/fotográfico.	30
Carga de sobres.	34
Cómo rellenar depósitos de tinta.	37
Cómo rellenar depósitos de tinta.	38
Comprobación del nivel de tinta.	45
Consejos de tinta.	47
Mantenimiento.	48
Si la impresión pierde intensidad o es irregular.	49
Procedimiento de mantenimiento.	50
Impresión del patrón de prueba de los inyectores.	52
Análisis del patrón de prueba de los inyectores.	53
Limpieza del cabezal de impresión.	54
Limpieza.	55
Limpieza del interior de la impresora (Limpieza de placa inferior).	56
Visión general.	58
Seguridad.	59
Precauciones de seguridad.	60
Información sobre regulaciones.	61
WEEE (EU&EEA).	62
Precauciones de manejo.	72
Restricciones legales sobre impresión.	73
Precauciones de manejo de la impresora.	74

Transporte de la impresora.	75
Reparación, préstamo o desecho de una impresora.	77
Mantener una alta calidad de impresión.	78
Componentes principales y su funcionamiento.	79
Componentes principales.	80
Vista frontal.	81
Vista posterior.	83
Vista interior.	84
Fuente de alimentación.	85
Comprobación de que el equipo está encendido.	86
Encendido y apagado de la impresora.	87
Comprobación del enchufe o el cable de alimentación.	89
Desconexión de la impresora.	90
Cambio de la configuración.	91
Cambio de la configuración de la impresora desde el ordenador (Windows).	92
Cambio de las opciones de impresión.	93
Registro de un perfil de impresión utilizado con frecuencia.	94
Establecimiento del depósito de tinta que se va a utilizar.	96
Gestión del encendido de la Impresora.	97
Cambio del modo de funcionamiento de la Impresora.	99
Cambio de la configuración desde el panel de control.	101
Activación de Notificación de la tinta.	102
Iniciar los ajustes de la impresora.	103
Especificaciones.	104
Información acerca del papel.	106
Tipos de soporte compatibles.	107
Límite de carga de papel.	109
Tipos de soporte no compatibles.	111
Cómo tratar el papel.	112
Impresión.	113
Impresión desde un ordenador.	114
Impresión desde el software de la aplicación (controlador de la impresora de Windows).	115

Configuración de la impresión básica.	116
Configuración del papel en el controlador de impresora.	119
Métodos de impresión.	120
Configuración de la Orientación y del Tamaño de página.	121
Configuración del número de copias y del orden de impresión.	123
Ejecución de la impresión sin bordes.	125
Impresión a escala.	128
Impresión de diseño de página.	131
Impresión de mosaico/póster.	133
Impresión a doble cara.	136
Configuración de la impresión de sobres.	138
Impresión en postales.	140
Descripción del controlador de impresora.	142
Controlador de impresora Canon IJ.	143
Apertura de la pantalla de configuración del controlador de impresora.	144
Estado del monitor Canon IJ.	145
Instrucciones de uso (controlador de impresora).	147
Descripción de controlador de impresora.	149
Descripción de la ficha Configuración rápida.	150
Descripción de la ficha Principal.	157
Descripción de la ficha Configurar página.	163
Descripción de la ficha Mantenimiento.	176
Descripción Monitor de estado Canon IJ.	178
Instalación del controlador de impresora.	181
Preguntas más frecuentes.	183
Problemas de impresión.	185
No comienza la impresión.	186
No sale tinta.	188
La tinta se agota rápido.	190
El papel no entra correctamente/Se produce un error "No hay papel".	191
Los resultados de la impresión no son satisfactorios.	193
El papel está en blanco/La impresión es borrosa/Los colores son incorrectos/Aparecen rayas blancas.	195
Los colores son borrosos.	198
Las líneas no están alineadas.	200

El papel queda manchado / La superficie impresa está rayada.	201
Línea vertical junto a la imagen.	204
Problemas mecánicos.	205
La impresora no se enciende.	206
Apagado automático de la alimentación.	207
Problemas de conexión USB.	208
No se puede establecer comunicación con la impresora a través de USB.	209
Problemas con la instalación y la descarga.	210
No se puede pasar de la pantalla Conexión de impresora.	211
No se puede instalar el controlador de impresora (Windows).	213
Errores y mensajes.	215
Se produce un error.	216
Aparece un mensaje (código de asistencia).	219
Lista de códigos de asistencia para errores.	223
Lista de códigos de asistencia en caso de error (Atascos de papel).	224
1300.	225
El papel está atascado dentro de la impresora.	227
1000.	231
1200.	232
1430.	233
1640.	237
1700.	238
1890.	239
5100.	240
5200.	241
5B00.	242
6000.	243

Utilización del Manual en línea

- ▶ Entorno de funcionamiento
- ▶ [Símbolos utilizados en este documento](#)
- ▶ [Usuarios con dispositivos con activación táctil \(Windows\)](#)
- ▶ Manual en línea de impresión
- ▶ [Marcas comerciales y licencias](#)
- ▶ Capturas de pantalla de este manual

Símbolos utilizados en este documento

Advertencia

Instrucciones que, si se ignoran, pueden provocar lesiones graves, o incluso la muerte, por el uso incorrecto del equipo. Sígalas al pie de la letra para que el funcionamiento sea seguro.

Precaución

Instrucciones que, si se ignoran, pueden provocar lesiones en las personas o daños materiales por el uso incorrecto del equipo. Sígalas al pie de la letra para que el funcionamiento sea seguro.

Importante

Instrucciones que incluyen información importante. Para evitar daños y lesiones o un uso incorrecto del producto, asegúrese de leer estas instrucciones.

Nota

Instrucciones que incluyen notas sobre el funcionamiento y explicaciones adicionales.

Aspectos básicos

Instrucciones que explican las operaciones básicas del producto.

Nota

- Los iconos pueden variar dependiendo del producto.

Usuarios con dispositivos con activación táctil (Windows)

Para acciones táctiles, debe sustituir en este documento "clic con el botón derecho" por el conjunto de acciones del sistema operativo. Por ejemplo, si la acción está establecida como "mantener pulsado" en el sistema operativo, sustituya "haga clic con el botón derecho" por "mantener pulsado".

Marcas comerciales y licencias

- Microsoft es una marca comercial registrada de Microsoft Corporation.
- Windows es una marca comercial o marca comercial registrada de Microsoft Corporation, registrada en EE.UU. y/o en otros países.
- Windows Vista es una marca comercial o marca comercial registrada de Microsoft Corporation, registrada en EE.UU. y/o en otros países.
- Internet Explorer es una marca comercial o marca comercial registrada de Microsoft Corporation, registrada en EE.UU. y/o en otros países.
- Mac, Mac OS, macOS, OS X, AirPort, App Store, AirPrint, el logotipo de AirPrint, Safari, Bonjour, iPad, iPhone y iPod touch son marcas comerciales de Apple Inc., registradas en EE. UU. y en otros países.
- IOS es una marca comercial o marca comercial registrada de Cisco en EE.UU. y/o en otros países, y se utiliza con licencia.
- Google Cloud Print, Google Chrome, Chrome OS, Chromebook, Android, Google Play, Google Drive, Google Apps y Google Analytics son marcas comerciales o marcas comerciales registradas de Google Inc.
- Adobe, Acrobat, Flash, Photoshop, Photoshop Elements, Lightroom, Adobe RGB y Adobe RGB (1998) son marcas comerciales o marcas comerciales registradas de Adobe Systems Incorporated en EE. UU. y/o en otros países.
- Bluetooth es una marca comercial de Bluetooth SIG, Inc., EE.UU. y Canon Inc. la utiliza bajo licencia.
- Autodesk y AutoCAD son marcas comerciales o marcas comerciales registradas de Autodesk, Inc. y/o sus empresas filiales en EE. UU. y/o en otros países.

»» Nota

- El nombre oficial de Windows Vista es sistema operativo Microsoft Windows Vista.

Copyright (c) 2003-2015 Apple Inc. All rights reserved.

Redistribution and use in source and binary forms, with or without modification, are permitted provided that the following conditions are met:

1. Redistributions of source code must retain the above copyright notice, this list of conditions and the following disclaimer.
2. Redistributions in binary form must reproduce the above copyright notice, this list of conditions and the following disclaimer in the documentation and/or other materials provided with the distribution.
3. Neither the name of Apple Inc. ("Apple") nor the names of its contributors may be used to endorse or promote products derived from this software without specific prior written permission.

THIS SOFTWARE IS PROVIDED BY APPLE AND ITS CONTRIBUTORS "AS IS" AND ANY EXPRESS OR IMPLIED WARRANTIES, INCLUDING, BUT NOT LIMITED TO, THE IMPLIED WARRANTIES OF MERCHANTABILITY AND FITNESS FOR A PARTICULAR PURPOSE ARE DISCLAIMED. IN NO EVENT SHALL APPLE OR ITS CONTRIBUTORS BE LIABLE FOR ANY DIRECT, INDIRECT, INCIDENTAL, SPECIAL, EXEMPLARY, OR CONSEQUENTIAL DAMAGES (INCLUDING, BUT NOT LIMITED TO, PROCUREMENT OF SUBSTITUTE GOODS OR SERVICES; LOSS OF USE, DATA, OR PROFITS; OR BUSINESS INTERRUPTION) HOWEVER CAUSED AND ON ANY THEORY OF LIABILITY, WHETHER IN CONTRACT, STRICT LIABILITY, OR TORT (INCLUDING NEGLIGENCE OR OTHERWISE) ARISING IN ANY WAY OUT OF THE USE OF THIS SOFTWARE, EVEN IF ADVISED OF THE POSSIBILITY OF SUCH DAMAGE.

Apache License

Version 2.0, January 2004

<http://www.apache.org/licenses/>

TERMS AND CONDITIONS FOR USE, REPRODUCTION, AND DISTRIBUTION

1. Definitions.

"License" shall mean the terms and conditions for use, reproduction, and distribution as defined by Sections 1 through 9 of this document.

"Licensor" shall mean the copyright owner or entity authorized by the copyright owner that is granting the License.

"Legal Entity" shall mean the union of the acting entity and all other entities that control, are controlled by, or are under common control with that entity. For the purposes of this definition, "control" means (i) the power, direct or indirect, to cause the direction or management of such entity, whether by contract or otherwise, or (ii) ownership of fifty percent (50%) or more of the outstanding shares, or (iii) beneficial ownership of such entity.

"You" (or "Your") shall mean an individual or Legal Entity exercising permissions granted by this License.

"Source" form shall mean the preferred form for making modifications, including but not limited to software source code, documentation source, and configuration files.

"Object" form shall mean any form resulting from mechanical transformation or translation of a Source form, including but not limited to compiled object code, generated documentation, and conversions to other media types.

"Work" shall mean the work of authorship, whether in Source or Object form, made available under the License, as indicated by a copyright notice that is included in or attached to the work (an example is provided in the Appendix below).

"Derivative Works" shall mean any work, whether in Source or Object form, that is based on (or derived from) the Work and for which the editorial revisions, annotations, elaborations, or other modifications represent, as a whole, an original work of authorship. For the purposes of this License, Derivative Works shall not include works that remain separable from, or merely link (or bind by name) to the interfaces of, the Work and Derivative Works thereof.

"Contribution" shall mean any work of authorship, including the original version of the Work and any modifications or additions to that Work or Derivative Works thereof, that is intentionally submitted to Licensor for inclusion in the Work by the copyright owner or by an individual or Legal Entity authorized to submit on behalf of the copyright owner. For the purposes of this definition, "submitted" means any form of electronic, verbal, or written communication sent to the Licensor or its representatives, including but not limited to communication on electronic mailing lists, source code control systems, and issue tracking systems that are managed by, or on behalf of, the Licensor for the purpose of discussing and improving the Work, but excluding communication that is conspicuously marked or otherwise designated in writing by the copyright owner as "Not a Contribution."

"Contributor" shall mean Licensor and any individual or Legal Entity on behalf of whom a Contribution has been received by Licensor and subsequently incorporated within the Work.

2. Grant of Copyright License. Subject to the terms and conditions of this License, each Contributor hereby grants to You a perpetual, worldwide, non-exclusive, no-charge, royalty-free, irrevocable copyright license to reproduce, prepare Derivative Works of, publicly display, publicly perform, sublicense, and distribute the Work and such Derivative Works in Source or Object form.
3. Grant of Patent License. Subject to the terms and conditions of this License, each Contributor hereby grants to You a perpetual, worldwide, non-exclusive, no-charge, royalty-free, irrevocable (except as stated in this section) patent license to make, have made, use, offer to sell, sell, import, and otherwise transfer the Work, where such license applies only to those patent claims licensable by such Contributor that are necessarily infringed by their Contribution(s) alone or by combination of their Contribution(s) with the Work to which such Contribution(s) was submitted. If You institute patent litigation against any entity (including a cross-claim or counterclaim in a lawsuit) alleging that the Work or a Contribution incorporated within the Work constitutes direct or contributory patent infringement, then any patent licenses granted to You under this License for that Work shall terminate as of the date such litigation is filed.
4. Redistribution. You may reproduce and distribute copies of the Work or Derivative Works thereof in any medium, with or without modifications, and in Source or Object form, provided that You meet the following conditions:
 1. You must give any other recipients of the Work or Derivative Works a copy of this License; and
 2. You must cause any modified files to carry prominent notices stating that You changed the files; and
 3. You must retain, in the Source form of any Derivative Works that You distribute, all copyright, patent, trademark, and attribution notices from the Source form of the Work, excluding those notices that do not pertain to any part of the Derivative Works; and
 4. If the Work includes a "NOTICE" text file as part of its distribution, then any Derivative Works that You distribute must include a readable copy of the attribution notices contained within such NOTICE file, excluding those notices that do not pertain to any part of the Derivative Works, in at least one of the following places: within a NOTICE text file distributed as part of the Derivative Works; within the Source form or documentation, if provided along with the Derivative Works; or, within a display generated by the Derivative Works, if and wherever such third-party notices normally appear. The contents of the NOTICE file are for informational purposes only and do not modify the License. You may add Your own attribution notices within Derivative Works that You distribute, alongside or as an addendum to the NOTICE text from the Work, provided that such additional attribution notices cannot be construed as modifying the License.

You may add Your own copyright statement to Your modifications and may provide additional or different license terms and conditions for use, reproduction, or distribution of Your modifications, or for any such Derivative Works as a whole, provided Your use, reproduction, and distribution of the Work otherwise complies with the conditions stated in this License.
5. Submission of Contributions. Unless You explicitly state otherwise, any Contribution intentionally submitted for inclusion in the Work by You to the Licensor shall be under the terms and conditions of this License, without any additional terms or conditions. Notwithstanding the above, nothing herein shall supersede or modify the terms of any separate license agreement you may have executed with Licensor regarding such Contributions.
6. Trademarks. This License does not grant permission to use the trade names, trademarks, service marks, or product names of the Licensor, except as required for reasonable and customary use in describing the origin of the Work and reproducing the content of the NOTICE file.

7. Disclaimer of Warranty. Unless required by applicable law or agreed to in writing, Licensor provides the Work (and each Contributor provides its Contributions) on an "AS IS" BASIS, WITHOUT WARRANTIES OR CONDITIONS OF ANY KIND, either express or implied, including, without limitation, any warranties or conditions of TITLE, NON-INFRINGEMENT, MERCHANTABILITY, or FITNESS FOR A PARTICULAR PURPOSE. You are solely responsible for determining the appropriateness of using or redistributing the Work and assume any risks associated with Your exercise of permissions under this License.
8. Limitation of Liability. In no event and under no legal theory, whether in tort (including negligence), contract, or otherwise, unless required by applicable law (such as deliberate and grossly negligent acts) or agreed to in writing, shall any Contributor be liable to You for damages, including any direct, indirect, special, incidental, or consequential damages of any character arising as a result of this License or out of the use or inability to use the Work (including but not limited to damages for loss of goodwill, work stoppage, computer failure or malfunction, or any and all other commercial damages or losses), even if such Contributor has been advised of the possibility of such damages.
9. Accepting Warranty or Additional Liability. While redistributing the Work or Derivative Works thereof, You may choose to offer, and charge a fee for, acceptance of support, warranty, indemnity, or other liability obligations and/or rights consistent with this License. However, in accepting such obligations, You may act only on Your own behalf and on Your sole responsibility, not on behalf of any other Contributor, and only if You agree to indemnify, defend, and hold each Contributor harmless for any liability incurred by, or claims asserted against, such Contributor by reason of your accepting any such warranty or additional liability.

END OF TERMS AND CONDITIONS

---- Part 1: CMU/UCD copyright notice: (BSD like) ----

Copyright 1989, 1991, 1992 by Carnegie Mellon University

Derivative Work - 1996, 1998-2000

Copyright 1996, 1998-2000 The Regents of the University of California

All Rights Reserved

Permission to use, copy, modify and distribute this software and its documentation for any purpose and without fee is hereby granted, provided that the above copyright notice appears in all copies and that both that copyright notice and this permission notice appear in supporting documentation, and that the name of CMU and The Regents of the University of California not be used in advertising or publicity pertaining to distribution of the software without specific written permission.

CMU AND THE REGENTS OF THE UNIVERSITY OF CALIFORNIA DISCLAIM ALL WARRANTIES WITH REGARD TO THIS SOFTWARE, INCLUDING ALL IMPLIED WARRANTIES OF MERCHANTABILITY AND FITNESS. IN NO EVENT SHALL CMU OR THE REGENTS OF THE UNIVERSITY OF CALIFORNIA BE LIABLE FOR ANY SPECIAL, INDIRECT OR CONSEQUENTIAL DAMAGES OR ANY DAMAGES WHATSOEVER RESULTING FROM THE LOSS OF USE, DATA OR PROFITS, WHETHER IN AN ACTION OF CONTRACT, NEGLIGENCE OR OTHER TORTIOUS ACTION, ARISING OUT OF OR IN CONNECTION WITH THE USE OR PERFORMANCE OF THIS SOFTWARE.

---- Part 2: Networks Associates Technology, Inc copyright notice (BSD) ----

Copyright (c) 2001-2003, Networks Associates Technology, Inc

All rights reserved.

Redistribution and use in source and binary forms, with or without modification, are permitted provided that the following conditions are met:

- * Redistributions of source code must retain the above copyright notice, this list of conditions and the following disclaimer.
- * Redistributions in binary form must reproduce the above copyright notice, this list of conditions and the following disclaimer in the documentation and/or other materials provided with the distribution.
- * Neither the name of the Networks Associates Technology, Inc nor the names of its contributors may be used to endorse or promote products derived from this software without specific prior written permission.

THIS SOFTWARE IS PROVIDED BY THE COPYRIGHT HOLDERS AND CONTRIBUTORS ``AS IS" AND ANY EXPRESS OR IMPLIED WARRANTIES, INCLUDING, BUT NOT LIMITED TO, THE IMPLIED WARRANTIES OF MERCHANTABILITY AND FITNESS FOR A PARTICULAR PURPOSE ARE DISCLAIMED. IN NO EVENT SHALL THE COPYRIGHT HOLDERS OR CONTRIBUTORS BE LIABLE FOR ANY DIRECT, INDIRECT, INCIDENTAL, SPECIAL, EXEMPLARY, OR CONSEQUENTIAL DAMAGES (INCLUDING, BUT NOT LIMITED TO, PROCUREMENT OF SUBSTITUTE GOODS OR SERVICES; LOSS OF USE, DATA, OR PROFITS; OR BUSINESS INTERRUPTION) HOWEVER CAUSED AND ON ANY THEORY OF LIABILITY, WHETHER IN CONTRACT, STRICT LIABILITY, OR TORT (INCLUDING NEGLIGENCE OR OTHERWISE) ARISING IN ANY WAY OUT OF THE USE OF THIS SOFTWARE, EVEN IF ADVISED OF THE POSSIBILITY OF SUCH DAMAGE.

---- Part 3: Cambridge Broadband Ltd. copyright notice (BSD) ----

Portions of this code are copyright (c) 2001-2003, Cambridge Broadband Ltd.

All rights reserved.

Redistribution and use in source and binary forms, with or without modification, are permitted provided that the following conditions are met:

- * Redistributions of source code must retain the above copyright notice, this list of conditions and the following disclaimer.
- * Redistributions in binary form must reproduce the above copyright notice, this list of conditions and the following disclaimer in the documentation and/or other materials provided with the distribution.
- * The name of Cambridge Broadband Ltd. may not be used to endorse or promote products derived from this software without specific prior written permission.

THIS SOFTWARE IS PROVIDED BY THE COPYRIGHT HOLDER ``AS IS" AND ANY EXPRESS OR IMPLIED WARRANTIES, INCLUDING, BUT NOT LIMITED TO, THE IMPLIED WARRANTIES OF MERCHANTABILITY AND FITNESS FOR A PARTICULAR PURPOSE ARE DISCLAIMED. IN NO EVENT SHALL THE COPYRIGHT HOLDER BE LIABLE FOR ANY DIRECT, INDIRECT, INCIDENTAL, SPECIAL, EXEMPLARY, OR CONSEQUENTIAL DAMAGES (INCLUDING, BUT NOT LIMITED TO, PROCUREMENT OF SUBSTITUTE GOODS OR SERVICES; LOSS OF USE, DATA, OR PROFITS; OR BUSINESS INTERRUPTION) HOWEVER CAUSED AND ON ANY THEORY OF LIABILITY, WHETHER IN CONTRACT, STRICT LIABILITY, OR TORT (INCLUDING NEGLIGENCE OR OTHERWISE) ARISING IN ANY WAY OUT OF THE USE OF THIS SOFTWARE, EVEN IF ADVISED OF THE POSSIBILITY OF SUCH DAMAGE.

---- Part 4: Sun Microsystems, Inc. copyright notice (BSD) ----

Copyright c 2003 Sun Microsystems, Inc., 4150 Network Circle, Santa Clara, California 95054, U.S.A. All rights reserved.

Use is subject to license terms below.

This distribution may include materials developed by third parties.

Sun, Sun Microsystems, the Sun logo and Solaris are trademarks or registered trademarks of Sun Microsystems, Inc. in the U.S. and other countries.

Redistribution and use in source and binary forms, with or without modification, are permitted provided that the following conditions are met:

- * Redistributions of source code must retain the above copyright notice, this list of conditions and the following disclaimer.
- * Redistributions in binary form must reproduce the above copyright notice, this list of conditions and the following disclaimer in the documentation and/or other materials provided with the distribution.
- * Neither the name of the Sun Microsystems, Inc. nor the names of its contributors may be used to endorse or promote products derived from this software without specific prior written permission.

THIS SOFTWARE IS PROVIDED BY THE COPYRIGHT HOLDERS AND CONTRIBUTORS "AS IS" AND ANY EXPRESS OR IMPLIED WARRANTIES, INCLUDING, BUT NOT LIMITED TO, THE IMPLIED WARRANTIES OF MERCHANTABILITY AND FITNESS FOR A PARTICULAR PURPOSE ARE DISCLAIMED. IN NO EVENT SHALL THE COPYRIGHT HOLDERS OR CONTRIBUTORS BE LIABLE FOR ANY DIRECT, INDIRECT, INCIDENTAL, SPECIAL, EXEMPLARY, OR CONSEQUENTIAL DAMAGES (INCLUDING, BUT NOT LIMITED TO, PROCUREMENT OF SUBSTITUTE GOODS OR SERVICES; LOSS OF USE, DATA, OR PROFITS; OR BUSINESS INTERRUPTION) HOWEVER CAUSED AND ON ANY THEORY OF LIABILITY, WHETHER IN CONTRACT, STRICT LIABILITY, OR TORT (INCLUDING NEGLIGENCE OR OTHERWISE) ARISING IN ANY WAY OUT OF THE USE OF THIS SOFTWARE, EVEN IF ADVISED OF THE POSSIBILITY OF SUCH DAMAGE.

---- Part 5: Sparta, Inc copyright notice (BSD) ----

Copyright (c) 2003-2012, Sparta, Inc

All rights reserved.

Redistribution and use in source and binary forms, with or without modification, are permitted provided that the following conditions are met:

- * Redistributions of source code must retain the above copyright notice, this list of conditions and the following disclaimer.
- * Redistributions in binary form must reproduce the above copyright notice, this list of conditions and the following disclaimer in the documentation and/or other materials provided with the distribution.
- * Neither the name of Sparta, Inc nor the names of its contributors may be used to endorse or promote products derived from this software without specific prior written permission.

THIS SOFTWARE IS PROVIDED BY THE COPYRIGHT HOLDERS AND CONTRIBUTORS "AS IS" AND ANY EXPRESS OR IMPLIED WARRANTIES, INCLUDING, BUT NOT LIMITED TO, THE IMPLIED WARRANTIES OF MERCHANTABILITY AND FITNESS FOR A PARTICULAR PURPOSE ARE DISCLAIMED. IN NO EVENT SHALL THE COPYRIGHT HOLDERS OR CONTRIBUTORS BE LIABLE FOR ANY DIRECT, INDIRECT, INCIDENTAL, SPECIAL, EXEMPLARY, OR CONSEQUENTIAL DAMAGES (INCLUDING, BUT NOT LIMITED TO, PROCUREMENT OF SUBSTITUTE GOODS OR SERVICES; LOSS OF USE, DATA, OR PROFITS; OR BUSINESS INTERRUPTION) HOWEVER CAUSED AND ON ANY THEORY OF LIABILITY, WHETHER IN CONTRACT, STRICT LIABILITY, OR

TORT (INCLUDING NEGLIGENCE OR OTHERWISE) ARISING IN ANY WAY OUT OF THE USE OF THIS SOFTWARE, EVEN IF ADVISED OF THE POSSIBILITY OF SUCH DAMAGE.

---- Part 6: Cisco/BUPTNIC copyright notice (BSD) ----

Copyright (c) 2004, Cisco, Inc and Information Network Center of Beijing University of Posts and Telecommunications.

All rights reserved.

Redistribution and use in source and binary forms, with or without modification, are permitted provided that the following conditions are met:

- * Redistributions of source code must retain the above copyright notice, this list of conditions and the following disclaimer.
- * Redistributions in binary form must reproduce the above copyright notice, this list of conditions and the following disclaimer in the documentation and/or other materials provided with the distribution.
- * Neither the name of Cisco, Inc, Beijing University of Posts and Telecommunications, nor the names of their contributors may be used to endorse or promote products derived from this software without specific prior written permission.

THIS SOFTWARE IS PROVIDED BY THE COPYRIGHT HOLDERS AND CONTRIBUTORS "AS IS" AND ANY EXPRESS OR IMPLIED WARRANTIES, INCLUDING, BUT NOT LIMITED TO, THE IMPLIED WARRANTIES OF MERCHANTABILITY AND FITNESS FOR A PARTICULAR PURPOSE ARE DISCLAIMED. IN NO EVENT SHALL THE COPYRIGHT HOLDERS OR CONTRIBUTORS BE LIABLE FOR ANY DIRECT, INDIRECT, INCIDENTAL, SPECIAL, EXEMPLARY, OR CONSEQUENTIAL DAMAGES (INCLUDING, BUT NOT LIMITED TO, PROCUREMENT OF SUBSTITUTE GOODS OR SERVICES; LOSS OF USE, DATA, OR PROFITS; OR BUSINESS INTERRUPTION) HOWEVER CAUSED AND ON ANY THEORY OF LIABILITY, WHETHER IN CONTRACT, STRICT LIABILITY, OR TORT (INCLUDING NEGLIGENCE OR OTHERWISE) ARISING IN ANY WAY OUT OF THE USE OF THIS SOFTWARE, EVEN IF ADVISED OF THE POSSIBILITY OF SUCH DAMAGE.

---- Part 7: Fabasoft R&D Software GmbH & Co KG copyright notice (BSD) ----

Copyright (c) Fabasoft R&D Software GmbH & Co KG, 2003 oss@fabasoft.com

Author: Bernhard Penz <bernhard.penz@fabasoft.com>

Redistribution and use in source and binary forms, with or without modification, are permitted provided that the following conditions are met:

- * Redistributions of source code must retain the above copyright notice, this list of conditions and the following disclaimer.
- * Redistributions in binary form must reproduce the above copyright notice, this list of conditions and the following disclaimer in the documentation and/or other materials provided with the distribution.
- * The name of Fabasoft R&D Software GmbH & Co KG or any of its subsidiaries, brand or product names may not be used to endorse or promote products derived from this software without specific prior written permission.

THIS SOFTWARE IS PROVIDED BY THE COPYRIGHT HOLDER "AS IS" AND ANY EXPRESS OR IMPLIED WARRANTIES, INCLUDING, BUT NOT LIMITED TO, THE IMPLIED WARRANTIES OF MERCHANTABILITY AND FITNESS FOR A PARTICULAR PURPOSE ARE DISCLAIMED. IN NO EVENT SHALL THE COPYRIGHT HOLDER BE LIABLE FOR ANY DIRECT, INDIRECT, INCIDENTAL,

SPECIAL, EXEMPLARY, OR CONSEQUENTIAL DAMAGES (INCLUDING, BUT NOT LIMITED TO, PROCUREMENT OF SUBSTITUTE GOODS OR SERVICES; LOSS OF USE, DATA, OR PROFITS; OR BUSINESS INTERRUPTION) HOWEVER CAUSED AND ON ANY THEORY OF LIABILITY, WHETHER IN CONTRACT, STRICT LIABILITY, OR TORT (INCLUDING NEGLIGENCE OR OTHERWISE) ARISING IN ANY WAY OUT OF THE USE OF THIS SOFTWARE, EVEN IF ADVISED OF THE POSSIBILITY OF SUCH DAMAGE.

---- Part 8: Apple Inc. copyright notice (BSD) ----

Copyright (c) 2007 Apple Inc. All rights reserved.

Redistribution and use in source and binary forms, with or without modification, are permitted provided that the following conditions are met:

1. Redistributions of source code must retain the above copyright notice, this list of conditions and the following disclaimer.
2. Redistributions in binary form must reproduce the above copyright notice, this list of conditions and the following disclaimer in the documentation and/or other materials provided with the distribution.
3. Neither the name of Apple Inc. ("Apple") nor the names of its contributors may be used to endorse or promote products derived from this software without specific prior written permission.

THIS SOFTWARE IS PROVIDED BY APPLE AND ITS CONTRIBUTORS "AS IS" AND ANY EXPRESS OR IMPLIED WARRANTIES, INCLUDING, BUT NOT LIMITED TO, THE IMPLIED WARRANTIES OF MERCHANTABILITY AND FITNESS FOR A PARTICULAR PURPOSE ARE DISCLAIMED. IN NO EVENT SHALL APPLE OR ITS CONTRIBUTORS BE LIABLE FOR ANY DIRECT, INDIRECT, INCIDENTAL, SPECIAL, EXEMPLARY, OR CONSEQUENTIAL DAMAGES (INCLUDING, BUT NOT LIMITED TO, PROCUREMENT OF SUBSTITUTE GOODS OR SERVICES; LOSS OF USE, DATA, OR PROFITS; OR BUSINESS INTERRUPTION) HOWEVER CAUSED AND ON ANY THEORY OF LIABILITY, WHETHER IN CONTRACT, STRICT LIABILITY, OR TORT (INCLUDING NEGLIGENCE OR OTHERWISE) ARISING IN ANY WAY OUT OF THE USE OF THIS SOFTWARE, EVEN IF ADVISED OF THE POSSIBILITY OF SUCH DAMAGE.

---- Part 9: ScienceLogic, LLC copyright notice (BSD) ----

Copyright (c) 2009, ScienceLogic, LLC

All rights reserved.

Redistribution and use in source and binary forms, with or without modification, are permitted provided that the following conditions are met:

- * Redistributions of source code must retain the above copyright notice, this list of conditions and the following disclaimer.
- * Redistributions in binary form must reproduce the above copyright notice, this list of conditions and the following disclaimer in the documentation and/or other materials provided with the distribution.
- * Neither the name of ScienceLogic, LLC nor the names of its contributors may be used to endorse or promote products derived from this software without specific prior written permission.

THIS SOFTWARE IS PROVIDED BY THE COPYRIGHT HOLDERS AND CONTRIBUTORS "AS IS" AND ANY EXPRESS OR IMPLIED WARRANTIES, INCLUDING, BUT NOT LIMITED TO, THE IMPLIED WARRANTIES OF MERCHANTABILITY AND FITNESS FOR A PARTICULAR PURPOSE ARE DISCLAIMED. IN NO EVENT SHALL THE COPYRIGHT HOLDERS OR CONTRIBUTORS BE LIABLE

FOR ANY DIRECT, INDIRECT, INCIDENTAL, SPECIAL, EXEMPLARY, OR CONSEQUENTIAL DAMAGES (INCLUDING, BUT NOT LIMITED TO, PROCUREMENT OF SUBSTITUTE GOODS OR SERVICES; LOSS OF USE, DATA, OR PROFITS; OR BUSINESS INTERRUPTION) HOWEVER CAUSED AND ON ANY THEORY OF LIABILITY, WHETHER IN CONTRACT, STRICT LIABILITY, OR TORT (INCLUDING NEGLIGENCE OR OTHERWISE) ARISING IN ANY WAY OUT OF THE USE OF THIS SOFTWARE, EVEN IF ADVISED OF THE POSSIBILITY OF SUCH DAMAGE.

LEADTOOLS

Copyright (C) 1991-2009 LEAD Technologies, Inc.

CMap Resources

Copyright 1990-2009 Adobe Systems Incorporated.

All rights reserved.

Copyright 1990-2010 Adobe Systems Incorporated.

All rights reserved.

Redistribution and use in source and binary forms, with or without modification, are permitted provided that the following conditions are met:

Redistributions of source code must retain the above copyright notice, this list of conditions and the following disclaimer.

Redistributions in binary form must reproduce the above copyright notice, this list of conditions and the following disclaimer in the documentation and/or other materials provided with the distribution.

Neither the name of Adobe Systems Incorporated nor the names of its contributors may be used to endorse or promote products derived from this software without specific prior written permission.

THIS SOFTWARE IS PROVIDED BY THE COPYRIGHT HOLDERS AND CONTRIBUTORS "AS IS" AND ANY EXPRESS OR IMPLIED WARRANTIES, INCLUDING, BUT NOT LIMITED TO, THE IMPLIED WARRANTIES OF MERCHANTABILITY AND FITNESS FOR A PARTICULAR PURPOSE ARE DISCLAIMED. IN NO EVENT SHALL THE COPYRIGHT HOLDER OR CONTRIBUTORS BE LIABLE FOR ANY DIRECT, INDIRECT, INCIDENTAL, SPECIAL, EXEMPLARY, OR CONSEQUENTIAL DAMAGES (INCLUDING, BUT NOT LIMITED TO, PROCUREMENT OF SUBSTITUTE GOODS OR SERVICES; LOSS OF USE, DATA, OR PROFITS; OR BUSINESS INTERRUPTION) HOWEVER CAUSED AND ON ANY THEORY OF LIABILITY, WHETHER IN CONTRACT, STRICT LIABILITY, OR TORT (INCLUDING NEGLIGENCE OR OTHERWISE) ARISING IN ANY WAY OUT OF THE USE OF THIS SOFTWARE, EVEN IF ADVISED OF THE POSSIBILITY OF SUCH DAMAGE.

MIT License

Copyright (c) 1998, 1999, 2000 Thai Open Source Software Center Ltd

Permission is hereby granted, free of charge, to any person obtaining a copy of this software and associated documentation files (the "Software"), to deal in the Software without restriction, including without limitation the rights to use, copy, modify, merge, publish, distribute, sublicense, and/or sell copies of the Software, and to permit persons to whom the Software is furnished to do so, subject to the following conditions:

The above copyright notice and this permission notice shall be included in all copies or substantial portions of the Software.

THE SOFTWARE IS PROVIDED "AS IS", WITHOUT WARRANTY OF ANY KIND, EXPRESS OR IMPLIED, INCLUDING BUT NOT LIMITED TO THE WARRANTIES OF MERCHANTABILITY, FITNESS FOR A PARTICULAR PURPOSE AND NONINFRINGEMENT. IN NO EVENT SHALL THE AUTHORS OR COPYRIGHT HOLDERS BE LIABLE FOR ANY CLAIM, DAMAGES OR OTHER LIABILITY, WHETHER IN AN ACTION OF CONTRACT, TORT OR OTHERWISE, ARISING FROM, OUT OF OR IN CONNECTION WITH THE SOFTWARE OR THE USE OR OTHER DEALINGS IN THE SOFTWARE.

Copyright 2000 Computing Research Labs, New Mexico State University

Copyright 2001-2015 Francesco Zappa Nardelli

Permission is hereby granted, free of charge, to any person obtaining a copy of this software and associated documentation files (the "Software"), to deal in the Software without restriction, including without limitation the rights to use, copy, modify, merge, publish, distribute, sublicense, and/or sell copies of the Software, and to permit persons to whom the Software is furnished to do so, subject to the following conditions:

The above copyright notice and this permission notice shall be included in all copies or substantial portions of the Software.

THE SOFTWARE IS PROVIDED "AS IS", WITHOUT WARRANTY OF ANY KIND, EXPRESS OR IMPLIED, INCLUDING BUT NOT LIMITED TO THE WARRANTIES OF MERCHANTABILITY, FITNESS FOR A PARTICULAR PURPOSE AND NONINFRINGEMENT. IN NO EVENT SHALL THE COMPUTING RESEARCH LAB OR NEW MEXICO STATE UNIVERSITY BE LIABLE FOR ANY CLAIM, DAMAGES OR OTHER LIABILITY, WHETHER IN AN ACTION OF CONTRACT, TORT OR OTHERWISE, ARISING FROM, OUT OF OR IN CONNECTION WITH THE SOFTWARE OR THE USE OR OTHER DEALINGS IN THE SOFTWARE.

Written by Joel Sherrill <joel@OARcorp.com>.

COPYRIGHT (c) 1989-2000.

On-Line Applications Research Corporation (OAR).

Permission to use, copy, modify, and distribute this software for any purpose without fee is hereby granted, provided that this entire notice is included in all copies of any software which is or includes a copy or modification of this software.

THIS SOFTWARE IS BEING PROVIDED "AS IS", WITHOUT ANY EXPRESS OR IMPLIED WARRANTY. IN PARTICULAR, THE AUTHOR MAKES NO REPRESENTATION OR WARRANTY OF ANY KIND

CONCERNING THE MERCHANTABILITY OF THIS SOFTWARE OR ITS FITNESS FOR ANY PARTICULAR PURPOSE.

(1) Red Hat Incorporated

Copyright (c) 1994-2009 Red Hat, Inc. All rights reserved.

This copyrighted material is made available to anyone wishing to use, modify, copy, or redistribute it subject to the terms and conditions of the BSD License. This program is distributed in the hope that it will be useful, but WITHOUT ANY WARRANTY expressed or implied, including the implied warranties of MERCHANTABILITY or FITNESS FOR A PARTICULAR PURPOSE. A copy of this license is available at <http://www.opensource.org/licenses>. Any Red Hat trademarks that are incorporated in the source code or documentation are not subject to the BSD License and may only be used or replicated with the express permission of Red Hat, Inc.

(2) University of California, Berkeley

Copyright (c) 1981-2000 The Regents of the University of California.

All rights reserved.

Redistribution and use in source and binary forms, with or without modification, are permitted provided that the following conditions are met:

- * Redistributions of source code must retain the above copyright notice, this list of conditions and the following disclaimer.
- * Redistributions in binary form must reproduce the above copyright notice, this list of conditions and the following disclaimer in the documentation and/or other materials provided with the distribution.
- * Neither the name of the University nor the names of its contributors may be used to endorse or promote products derived from this software without specific prior written permission.

THIS SOFTWARE IS PROVIDED BY THE COPYRIGHT HOLDERS AND CONTRIBUTORS "AS IS" AND ANY EXPRESS OR IMPLIED WARRANTIES, INCLUDING, BUT NOT LIMITED TO, THE IMPLIED WARRANTIES OF MERCHANTABILITY AND FITNESS FOR A PARTICULAR PURPOSE ARE DISCLAIMED. IN NO EVENT SHALL THE COPYRIGHT OWNER OR CONTRIBUTORS BE LIABLE FOR ANY DIRECT, INDIRECT, INCIDENTAL, SPECIAL, EXEMPLARY, OR CONSEQUENTIAL DAMAGES (INCLUDING, BUT NOT LIMITED TO, PROCUREMENT OF SUBSTITUTE GOODS OR SERVICES; LOSS OF USE, DATA, OR PROFITS; OR BUSINESS INTERRUPTION) HOWEVER CAUSED AND ON ANY THEORY OF LIABILITY, WHETHER IN CONTRACT, STRICT LIABILITY, OR TORT (INCLUDING NEGLIGENCE OR OTHERWISE) ARISING IN ANY WAY OUT OF THE USE OF THIS SOFTWARE, EVEN IF ADVISED OF THE POSSIBILITY OF SUCH DAMAGE.

The FreeType Project LICENSE

2006-Jan-27

Copyright 1996-2002, 2006 by

David Turner, Robert Wilhelm, and Werner Lemberg

Introduction

=====

The FreeType Project is distributed in several archive packages; some of them may contain, in addition to the FreeType font engine, various tools and contributions which rely on, or relate to, the FreeType Project.

This license applies to all files found in such packages, and which do not fall under their own explicit license. The license affects thus the FreeType font engine, the test programs, documentation and makefiles, at the very least.

This license was inspired by the BSD, Artistic, and IJG (Independent JPEG Group) licenses, which all encourage inclusion and use of free software in commercial and freeware products alike. As a consequence, its main points are that:

- o We don't promise that this software works. However, we will be interested in any kind of bug reports. ('as is' distribution)
- o You can use this software for whatever you want, in parts or full form, without having to pay us. ('royalty-free' usage)
- o You may not pretend that you wrote this software. If you use it, or only parts of it, in a program, you must acknowledge somewhere in your documentation that you have used the FreeType code. ('credits')

We specifically permit and encourage the inclusion of this software, with or without modifications, in commercial products.

We disclaim all warranties covering The FreeType Project and assume no liability related to The FreeType Project.

Finally, many people asked us for a preferred form for a credit/disclaimer to use in compliance with this license. We thus encourage you to use the following text:

Portions of this software are copyright © <year> The FreeType Project (www.freetype.org). All rights reserved.

Please replace <year> with the value from the FreeType version you actually use.

Legal Terms

=====

0. Definitions

Throughout this license, the terms 'package', 'FreeType Project', and 'FreeType archive' refer to the set of files originally distributed by the authors (David Turner, Robert Wilhelm, and Werner Lemberg) as the 'FreeType Project', be they named as alpha, beta or final release.

'You' refers to the licensee, or person using the project, where 'using' is a generic term including compiling the project's source code as well as linking it to form a 'program' or 'executable'.

This program is referred to as 'a program using the FreeType engine'.

This license applies to all files distributed in the original FreeType Project, including all source code, binaries and documentation, unless otherwise stated in the file in its original, unmodified form as distributed in the original archive.

If you are unsure whether or not a particular file is covered by this license, you must contact us to verify this.

The FreeType Project is copyright (C) 1996-2000 by David Turner, Robert Wilhelm, and Werner Lemberg. All rights reserved except as specified below.

1. No Warranty

THE FREETYPE PROJECT IS PROVIDED 'AS IS' WITHOUT WARRANTY OF ANY KIND, EITHER EXPRESS OR IMPLIED, INCLUDING, BUT NOT LIMITED TO, WARRANTIES OF MERCHANTABILITY AND FITNESS FOR A PARTICULAR PURPOSE. IN NO EVENT WILL ANY OF THE AUTHORS OR COPYRIGHT HOLDERS BE LIABLE FOR ANY DAMAGES CAUSED BY THE USE OR THE INABILITY TO USE, OF THE FREETYPE PROJECT.

2. Redistribution

This license grants a worldwide, royalty-free, perpetual and irrevocable right and license to use, execute, perform, compile, display, copy, create derivative works of, distribute and sublicense the FreeType Project (in both source and object code forms) and derivative works thereof for any purpose; and to authorize others to exercise some or all of the rights granted herein, subject to the following conditions:

- o Redistribution of source code must retain this license file ('FTL.TXT') unaltered; any additions, deletions or changes to the original files must be clearly indicated in accompanying documentation. The copyright notices of the unaltered, original files must be preserved in all copies of source files.

- o Redistribution in binary form must provide a disclaimer that states that the software is based in part of the work of the FreeType Team, in the distribution documentation. We also encourage you to put an URL to the FreeType web page in your documentation, though this isn't mandatory.

These conditions apply to any software derived from or based on the FreeType Project, not just the unmodified files. If you use our work, you must acknowledge us. However, no fee need be paid to us.

3. Advertising

Neither the FreeType authors and contributors nor you shall use the name of the other for commercial, advertising, or promotional purposes without specific prior written permission.

We suggest, but do not require, that you use one or more of the following phrases to refer to this software in your documentation or advertising materials: 'FreeType Project', 'FreeType Engine', 'FreeType library', or 'FreeType Distribution'.

As you have not signed this license, you are not required to accept it. However, as the FreeType Project is copyrighted material, only this license, or another one contracted with the authors, grants you the right to use, distribute, and modify it.

Therefore, by using, distributing, or modifying the FreeType Project, you indicate that you understand and accept all the terms of this license.

4. Contacts

There are two mailing lists related to FreeType:

- o freetype@nongnu.org

Discusses general use and applications of FreeType, as well as future and wanted additions to the library and distribution.

If you are looking for support, start in this list if you haven't found anything to help you in the documentation.

o freetype-devel@nongnu.org

Discusses bugs, as well as engine internals, design issues, specific licenses, porting, etc.

Our home page can be found at

<http://www.freetype.org>

--- end of FTL.TXT ---

Esto solo se aplica a productos que admiten Wi-Fi.

(c) 2009-2013 by Jeff Mott. All rights reserved.

Redistribution and use in source and binary forms, with or without modification, are permitted provided that the following conditions are met:

- * Redistributions of source code must retain the above copyright notice, this list of conditions, and the following disclaimer.
- * Redistributions in binary form must reproduce the above copyright notice, this list of conditions, and the following disclaimer in the documentation or other materials provided with the distribution.
- * Neither the name CryptoJS nor the names of its contributors may be used to endorse or promote products derived from this software without specific prior written permission.

THIS SOFTWARE IS PROVIDED BY THE COPYRIGHT HOLDERS AND CONTRIBUTORS "AS IS," AND ANY EXPRESS OR IMPLIED WARRANTIES, INCLUDING, BUT NOT LIMITED TO, THE IMPLIED WARRANTIES OF MERCHANTABILITY AND FITNESS FOR A PARTICULAR PURPOSE, ARE DISCLAIMED. IN NO EVENT SHALL THE COPYRIGHT HOLDER OR CONTRIBUTORS BE LIABLE FOR ANY DIRECT, INDIRECT, INCIDENTAL, SPECIAL, EXEMPLARY, OR CONSEQUENTIAL DAMAGES (INCLUDING, BUT NOT LIMITED TO, PROCUREMENT OF SUBSTITUTE GOODS OR SERVICES; LOSS OF USE, DATA, OR PROFITS; OR BUSINESS INTERRUPTION) HOWEVER CAUSED AND ON ANY THEORY OF LIABILITY, WHETHER IN CONTRACT, STRICT LIABILITY, OR TORT (INCLUDING NEGLIGENCE OR OTHERWISE) ARISING IN ANY WAY OUT OF THE USE OF THIS SOFTWARE, EVEN IF ADVISED OF THE POSSIBILITY OF SUCH DAMAGE.

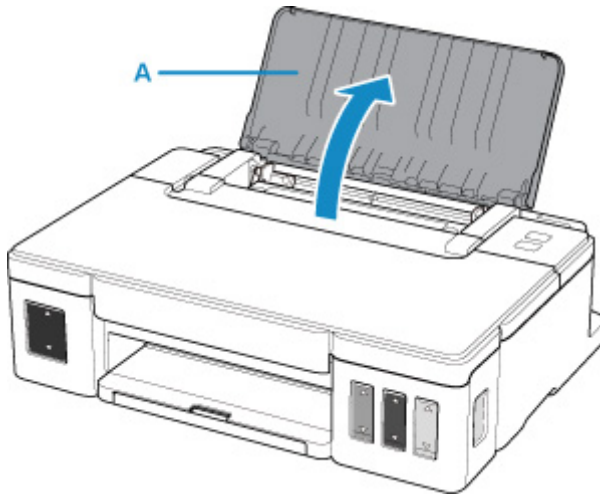
Funcionamiento básico

- ▶ [Impresión de fotos desde un ordenador](#)

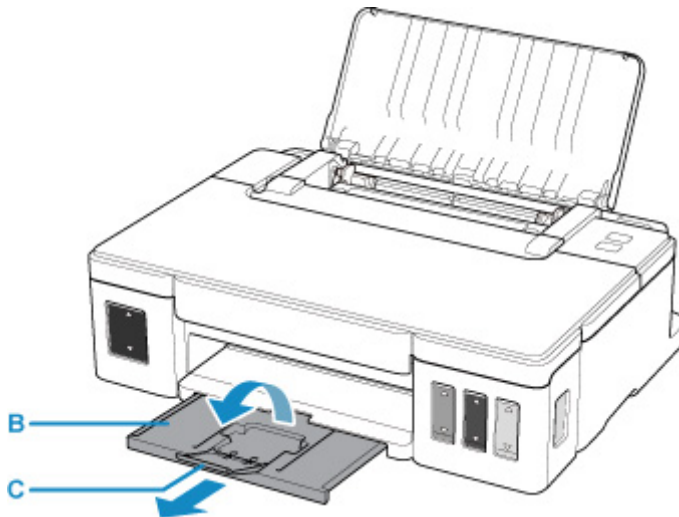
Impresión de fotos desde un ordenador

En esta sección se describe cómo imprimir fotografías con My Image Garden.

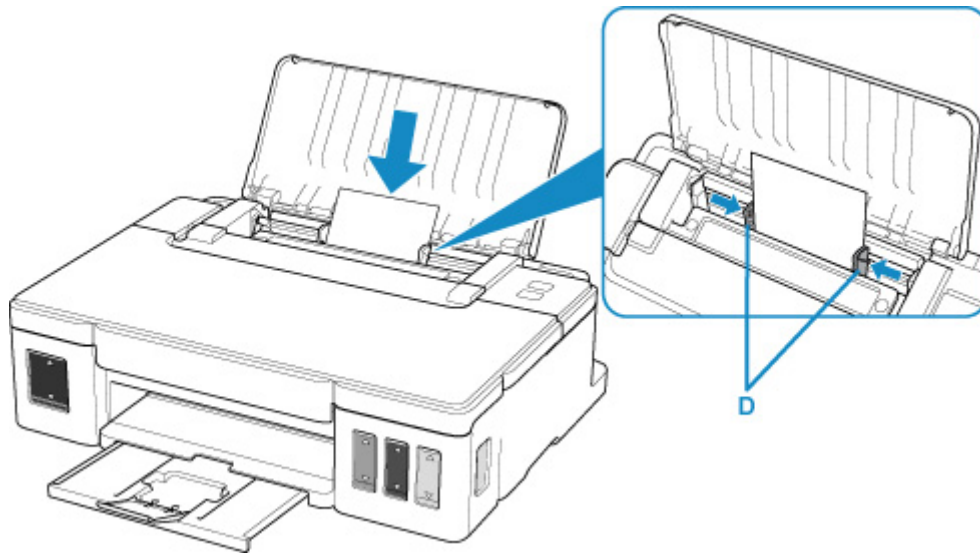
1. Abra el soporte del papel (A).



2. Extraiga la bandeja de salida del papel (B) y abra la extensión de la bandeja de salida (C).

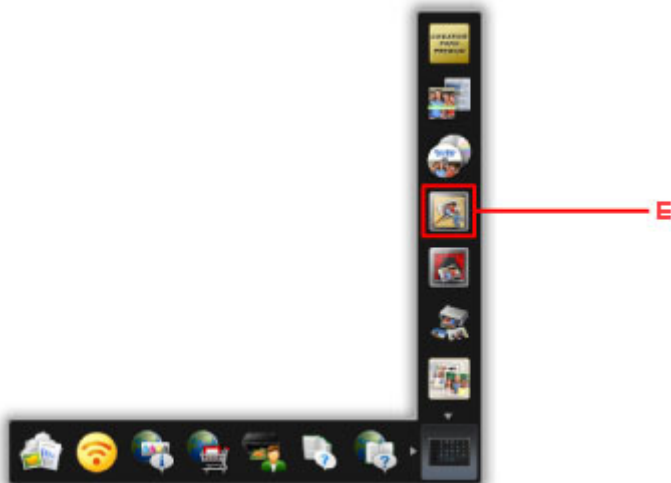


3. Cargue papel CON LA CARA DE IMPRESIÓN HACIA ARRIBA.
4. Alinee las guías del papel (D) con el ancho del papel.



5. Haga clic en el icono My Image Garden (E) en Quick Menu.

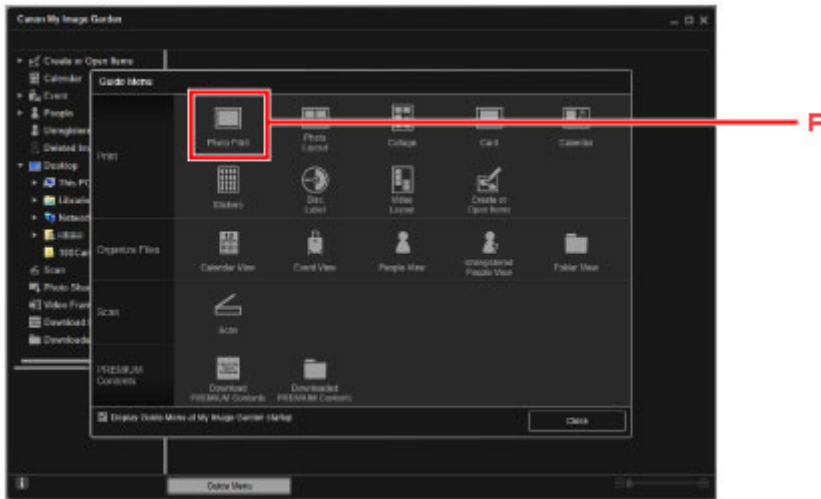
Se mostrará la pantalla **Menú de guía (Guide Menu)**.



»» **Nota**

- El número y los tipos de icono que aparecen pueden variar según la región, la impresora o el escáner registrados y las aplicaciones instaladas.

6. Haga clic en el icono **Impresión fotográfica (Photo Print) (F)**.

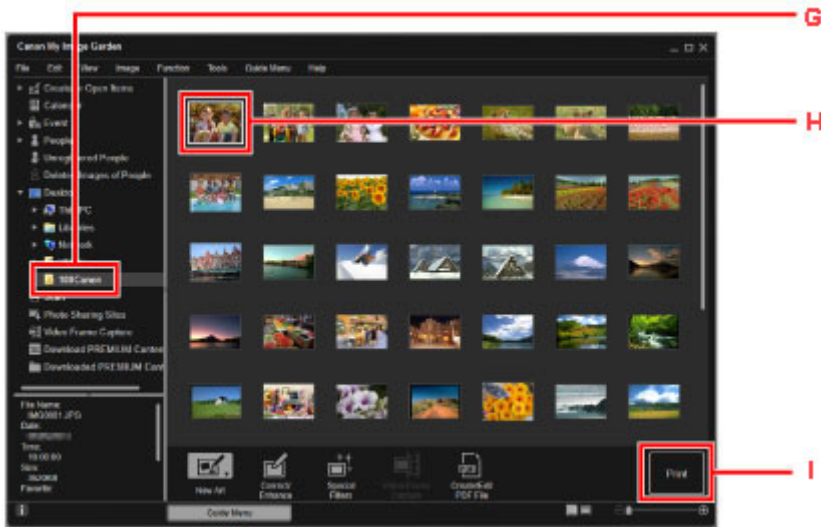


7. Haga clic en la carpeta (G) con las fotos que desee imprimir.

8. Haga clic en las fotos (H) que desee imprimir.

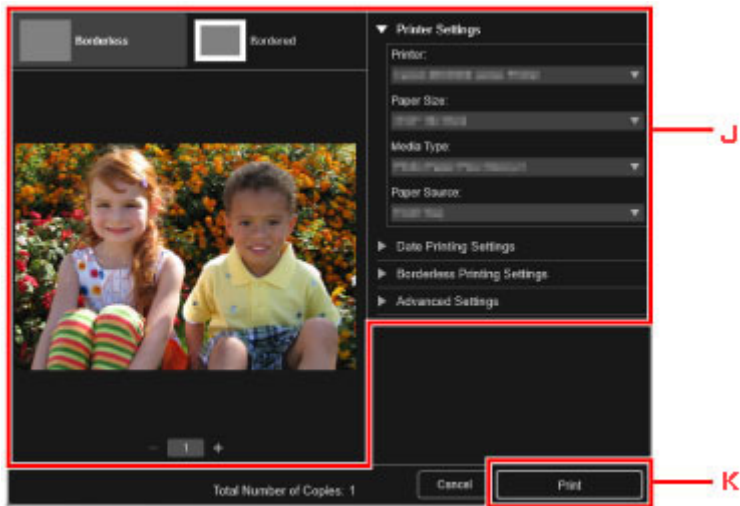
Para seleccionar dos o más fotos a la vez, haga clic en fotos mientras mantiene pulsada la tecla Ctrl.

9. Haga clic en **Imprimir (Print)** (I).



10. Especifique el número de copias, el nombre de la impresora, el tipo de soporte, etc. (J).

11. Haga clic en **Imprimir (Print)** (K).



»»» Nota

- My Image Garden le permite utilizar imágenes en su equipo, tales como fotos tomadas con una cámara digital, de distintas formas.

■ Guía de My Image Garden

Cómo tratar el papel, Depósitos de tinta, etc.

- ▶ **Carga de papel**
- ▶ **Cómo rellenar depósitos de tinta**

Carga de papel

- ▶ **Carga de papel normal/fotográfico**
- ▶ **Carga de sobres**

Carga de papel normal/fotográfico

Puede cargar papel normal o papel fotográfico.

►►► Importante

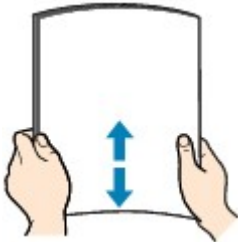
- Si se corta papel normal en un tamaño pequeño, como 10 x 15 cm (4 x 6 pulgadas), 13 x 18 cm (5 x 7 pulgadas), 127 x 127 mm o tarjetas de visita para hacer una impresión de prueba, pueden producirse atascos de papel.

►►► Nota

- Se recomienda utilizar papel fotográfico original Canon para imprimir fotografías.
Para obtener más información sobre el papel original de Canon, consulte los [Tipos de soporte compatibles](#).
- Puede usar papel para copias generales o Canon Red Label Superior WOP111/Canon Océ Office Colour Paper SAT213.
Para obtener información sobre el tamaño de página y el gramaje de papel que se pueden utilizar con esta impresora, consulte [Tipos de soporte compatibles](#).

1. Prepare el papel.

Alinee los bordes del papel. Si está curvado, alíselo.



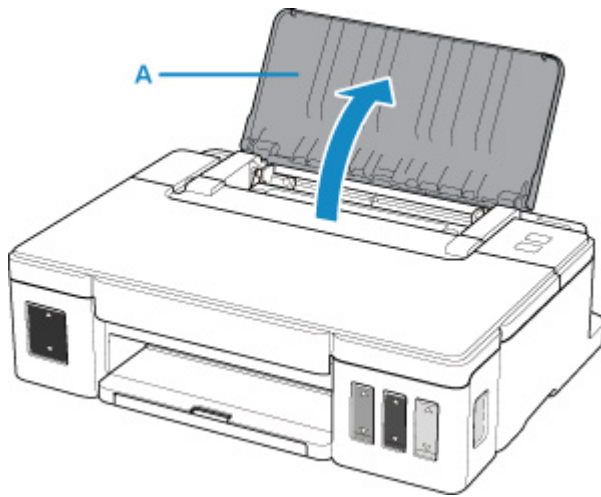
►►► Nota

- Alinee cuidadosamente los bordes del papel antes de cargarlo. Si se carga el papel sin alinear los bordes, se pueden producir atascos.
- Si el papel está curvado, sujete las esquinas dobladas opuestas y dóblelas suavemente en la dirección contraria hasta que el papel quede totalmente liso.

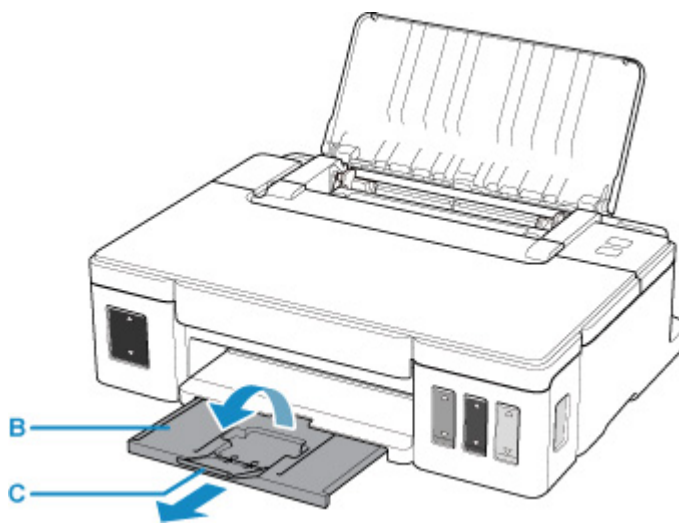
Para obtener información acerca de cómo alisar el papel curvado, consulte **Comprobación 3** en [El papel queda manchado / La superficie impresa está rayada](#).

2. Cargue el papel.

1. Abra el soporte del papel (A).



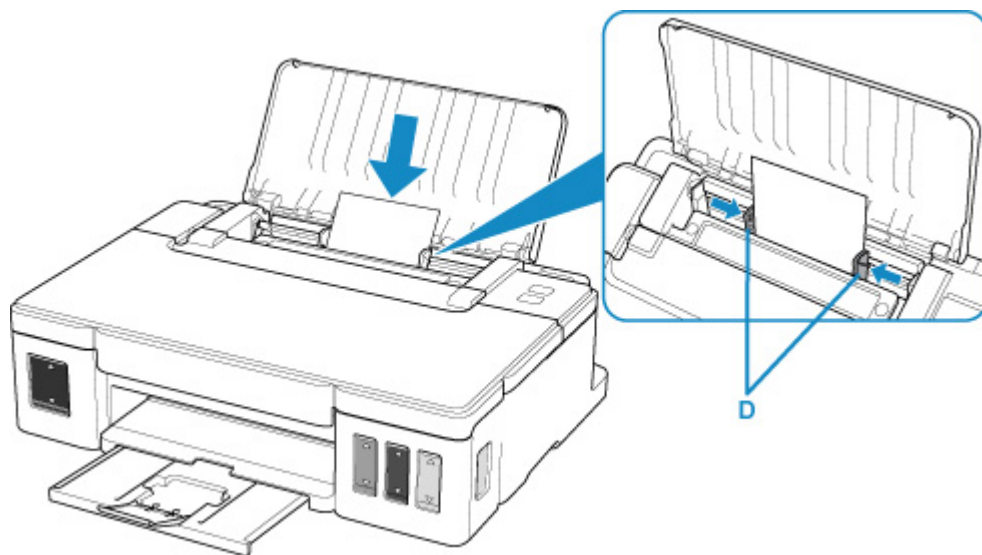
2. Extraiga la bandeja de salida del papel (B) y abra la extensión de la bandeja de salida (C).



3. Cargue papel CON LA CARA DE IMPRESIÓN HACIA ARRIBA.

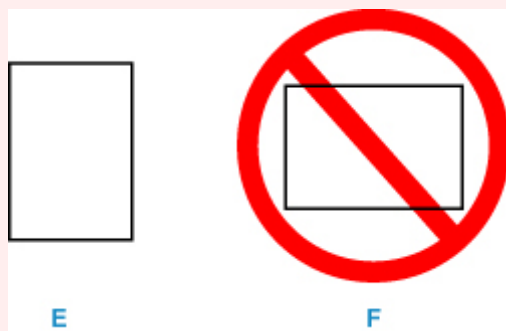
4. Alinee las guías del papel (D) con el ancho del papel.

No deslice las guías del papel aplicando demasiada fuerza en el papel. Podría impedir la correcta alimentación del papel.



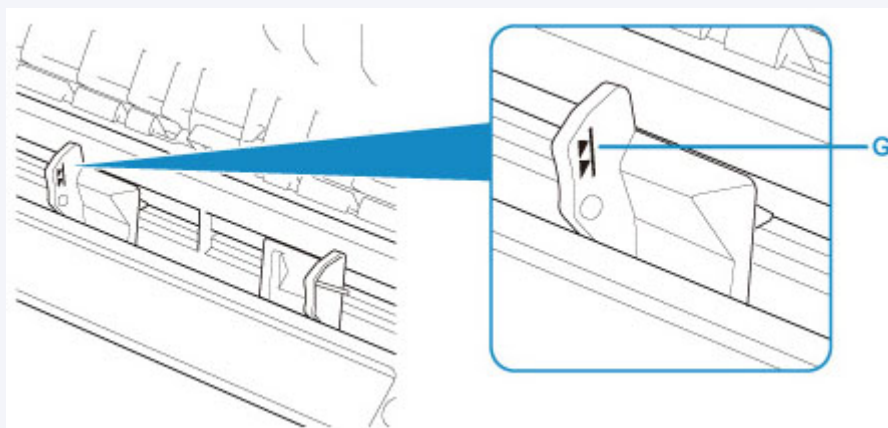
►►► Importante

- Cargue siempre el papel con orientación vertical (E). Si se carga horizontalmente (F), es posible que se produzcan atascos de papel.



►►► Nota

- No cargue hojas de papel de manera que sobrepasen la marca del límite de carga (G).



►►► Nota

- Al imprimir, seleccione el tamaño y el tipo del papel cargado en la pantalla de configuración de la impresora del equipo.

- Hay varios tipos de papel, como, por ejemplo, papel con tratamiento especial en la superficie para la impresión de fotografías con una calidad óptima y papel adecuado para documentos. Cada tipo de soporte tiene una configuración predeterminada (como se utiliza y adhiere la tinta, la distancia de los inyectores, etc.) que le permiten imprimir en ese tipo con calidad de imagen óptima. La configuración de papel incorrecta también podría causar una reducción de la calidad del color de la copia impresa o rayas en la superficie impresa. Si advierte colores borrosos o no uniformes, suba el valor de la configuración de la calidad de impresión e imprima de nuevo.

Carga de sobres

Se pueden cargar sobres DL y sobres Com 10.

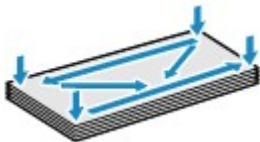
La dirección gira automáticamente y se imprime en el sentido del sobre, que se especifica correctamente en el ordenador.

►►► Importante

- No utilice los sobres siguientes. Podrían atascarse en la impresora o provocar el mal funcionamiento de la impresora.
 - Sobres con superficies gofradas o tratadas
 - Sobres con doble solapa
 - Sobres con solapas engomadas listas para adherirse y autoadhesivas

1. Prepare los sobres.

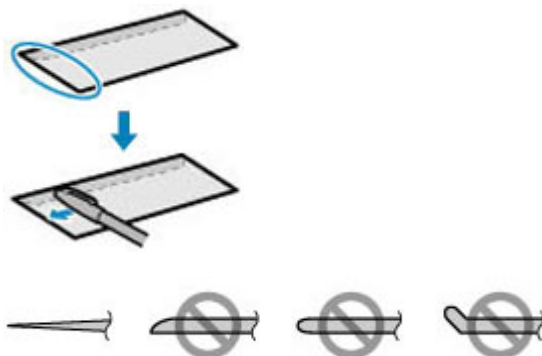
- Presione los sobres por las cuatro esquinas y los bordes para alisarlos.



- Si los sobres están curvados, sujételos por las esquinas opuestas y dóblelos ligeramente en la dirección contraria a la parte curvada.



- Si la esquina de un sobre está doblada, alísela.
- Utilice un bolígrafo o algo similar para alisar la parte delantera en el sentido de inserción y aplánela.



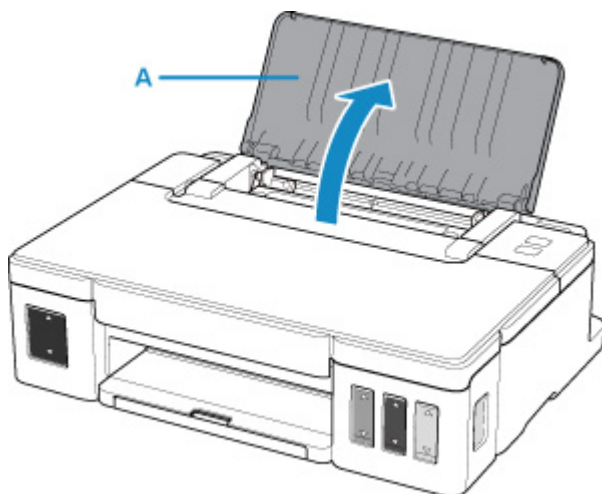
Estas imágenes muestran una vista lateral del borde delantero de un sobre.

►►► Importante

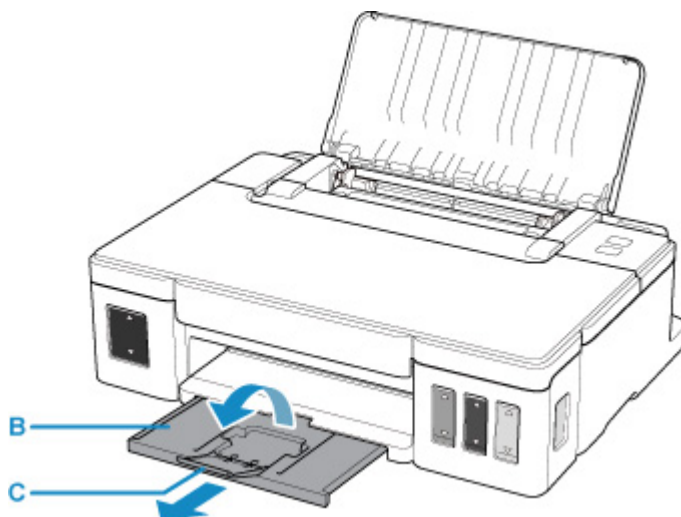
- Los sobres se podrían atascar en la impresora si no están planos o si los bordes no están alineados. Asegúrese de que la curva o el abombamiento no sea superior a 3 mm (0,12 pulgadas).

2. Cargue los sobres.

1. Abra el soporte del papel (A).



2. Extraiga la bandeja de salida del papel (B) y abra la extensión de la bandeja de salida (C).



3. Cargue los sobres CON LA CARA DE IMPRESIÓN HACIA ARRIBA.

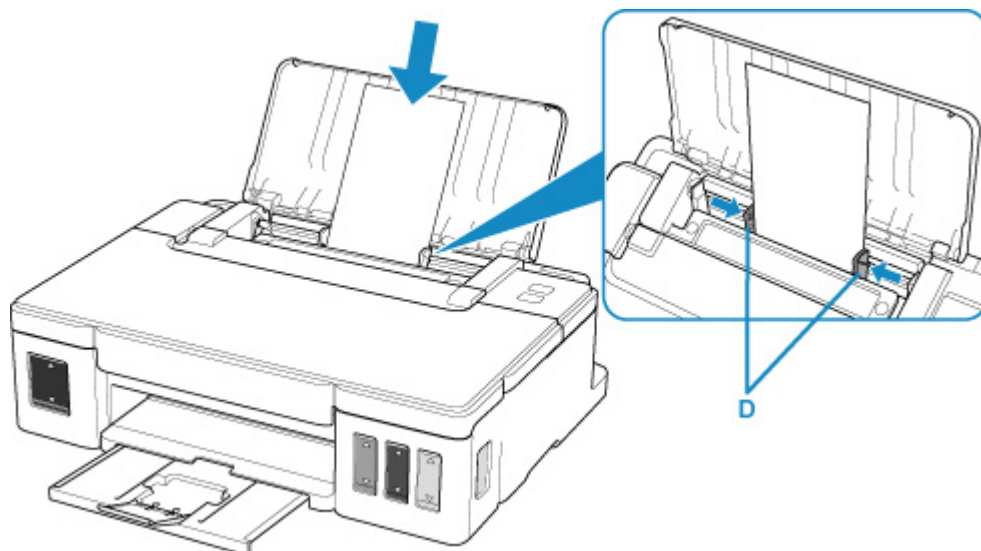
Como máximo, se pueden cargar hasta 10 sobres a la vez.

Doble la solapa del sobre y cárguelo en dirección vertical con el lado de la dirección mirando hacia arriba.



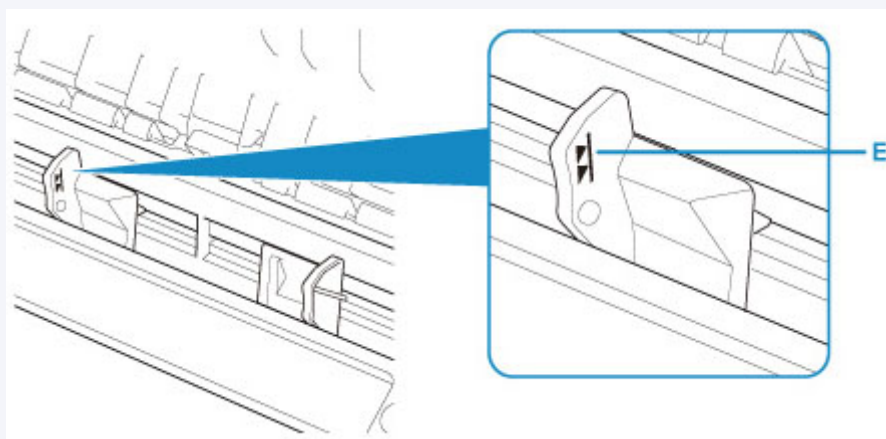
4. Alinee las guías del papel (D) con el ancho del sobre.

No deslice las guías del papel aplicando demasiada fuerza en los sobres. Podría impedir la correcta alimentación de los sobres.



»» Nota

- No cargue sobres que sobrepasen la marca del límite de carga (E).



»» Nota

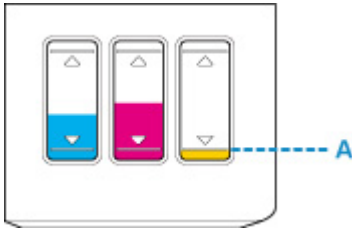
- Al imprimir, seleccione el tipo de sobre y la orientación de la impresión en la pantalla de configuración de la impresora del ordenador.

Cómo rellenar depósitos de tinta

- ▶ **Cómo rellenar depósitos de tinta**
- ▶ **Comprobación del nivel de tinta**
- ▶ **Consejos de tinta**

Cómo rellenar depósitos de tinta

Compruebe el nivel de tinta restante mediante el indicador del depósito de tinta que se encuentra en la parte frontal de la impresora. Si el nivel de tinta se acerca a la línea de límite inferior (A), rellene el depósito de tinta.



»» Nota

- Si la función que indica el nivel de tinta restante (denominada "Función de notificación del nivel de tinta") está activada, se debe restablecer el contador del nivel de tinta restante antes de rellenar los depósitos de tinta.

Existe dos formas de restablecer el contador del nivel de tinta restante.

- Restablecimiento del contador de nivel de tinta restante cuando se ha producido un error de tinta restante
- Restablecimiento del contador de nivel de tinta restante cuando no se ha producido ningún error de tinta restante

La luz de **Alarma (Alarm)** parpadeará cuando se produce un error de tinta restante.

■ [Si la función de notificación del nivel de tinta restante está activada](#)

- Si los resultados de impresión fueran borrosos o aparecieran rayas blancas, pese a haber suficientes niveles de tinta, consulte [Procedimiento de mantenimiento](#).
- Si desea acceder a los avisos sobre el manejo de los frascos de tinta, consulte las [Notas sobre los frascos de tinta](#).

Procedimiento para rellenar

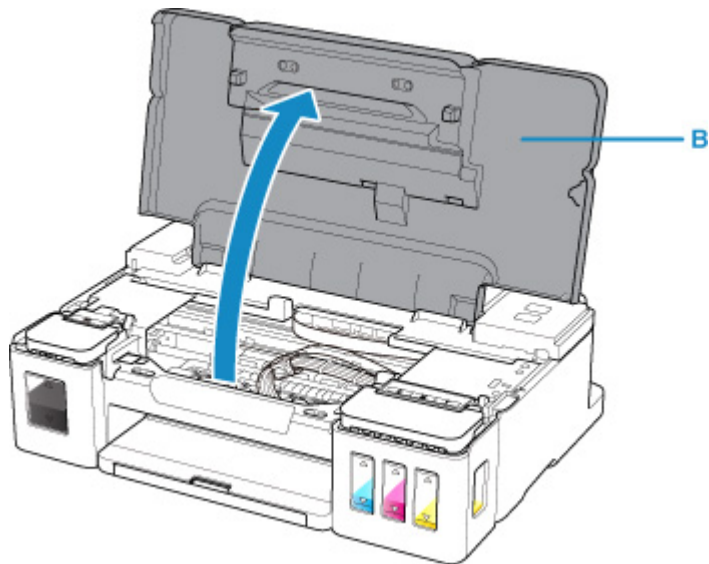
Cuando rellene los depósitos de tinta, siga estos pasos.

»» Importante

- Asegúrese de que la impresora permanece en una superficie plana después de la configuración inicial y que NO se coloca boca abajo o de lado, ya que la tinta de la impresora podría derramarse.
- Si la función de notificación del nivel de tinta está activada, rellene los cuatro depósitos de tinta hasta que estén llenos. Si se restablece el contador del nivel de tinta restante cuando los depósitos de tinta no están llenos, la impresora no podrá detectar el nivel de tinta correctamente.

■ [Si la función de notificación del nivel de tinta restante está activada](#)

1. Asegúrese de que la alimentación esté encendida.
2. Abra la cubierta superior (B).



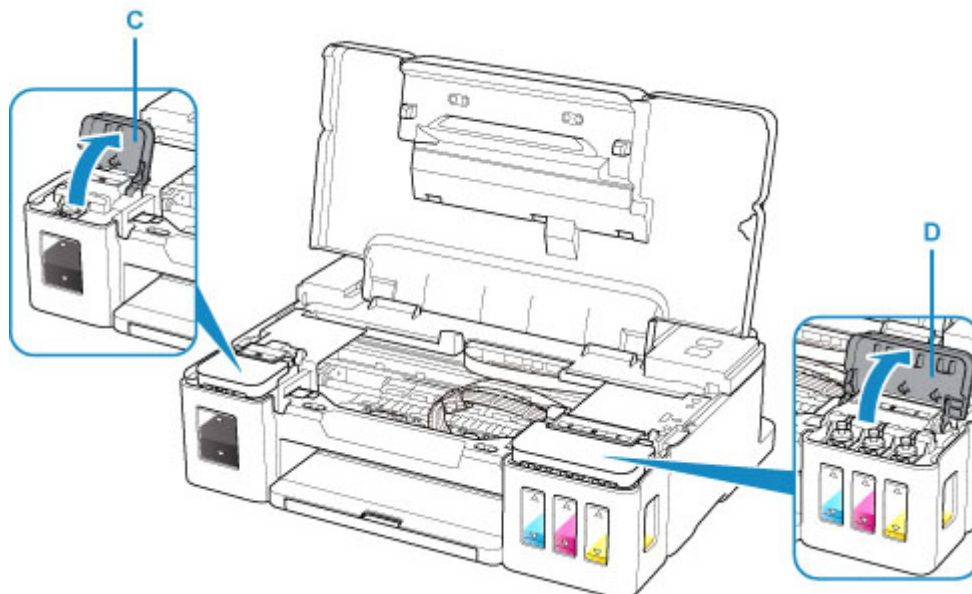
»» Importante

- No toque los tubos ni cualquier otra pieza del interior de la impresora. Podría provocar problemas con la impresora.

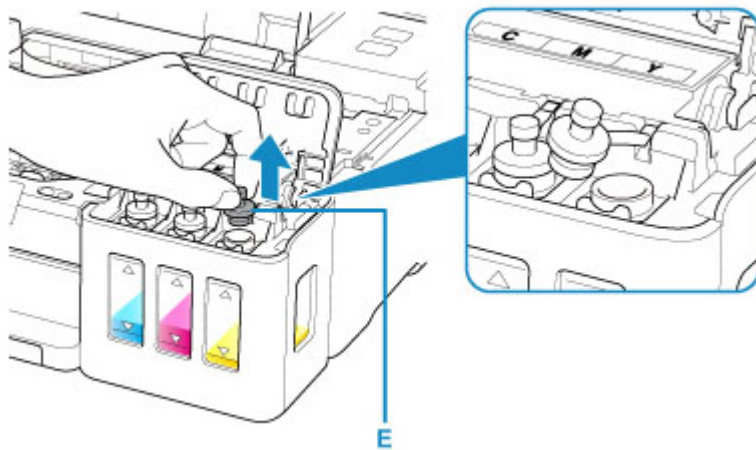
3. Abra la cubierta del depósito de tinta.

Para rellenar el depósito de tinta negra, abra la cubierta del depósito de tinta que se encuentra a la izquierda (C).

Para rellenar los depósitos de tinta de color, abra la cubierta del depósito de tinta de la derecha (D).



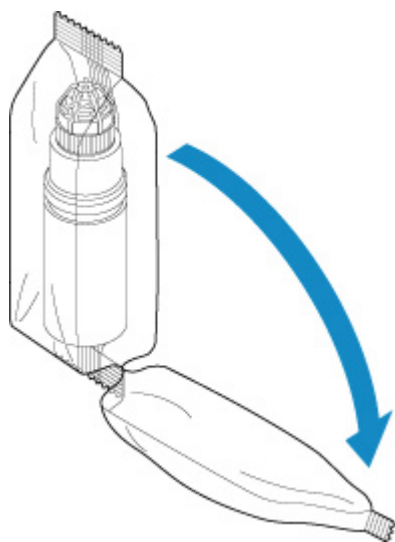
4. Sujete y retire la tapa del depósito (E) del depósito de tinta que se va a rellenar.



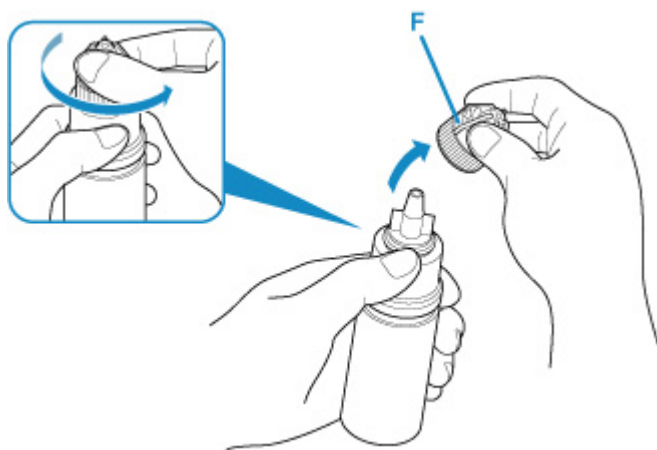
►►► Importante

- Retire cuidadosamente la tapa del depósito de tinta. Es posible que la tinta del interior de la tapa del depósito salpique cuando se retire.

5. Saque un frasco de tinta nuevo del paquete.



6. Sujete el frasco de tinta hacia arriba y gire su tapa (F) para retirarla.



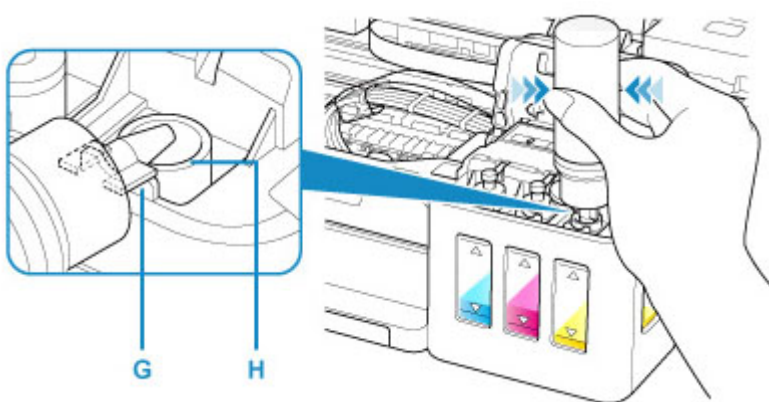
»»» Importante

- Cuando retire la tapa del frasco, evite apretar los laterales del frasco de tinta. Sujete el frasco de tinta tal y como se muestra en la figura anterior. Si presiona los laterales del frasco de tinta, la tinta salpicará.
- No agite el frasco de tinta. Es posible que la tinta salpique cuando se abra la tapa.
- La tinta incluida en el frasco de tinta podrá seguir usándose sin problemas aunque este esté abollado.

7. Rellene el depósito de tinta.

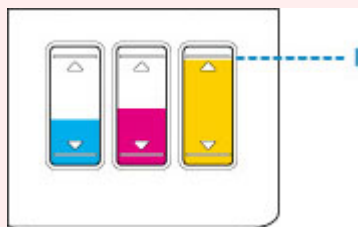
Alinee el inyector del frasco de tinta con la guía del frasco (G) de la impresora e inserte el inyector en la entrada (H).

A continuación, coloque el frasco de tinta con la parte superior hacia abajo y apriete los laterales de este para rellenar el depósito de tinta.



»»» Importante

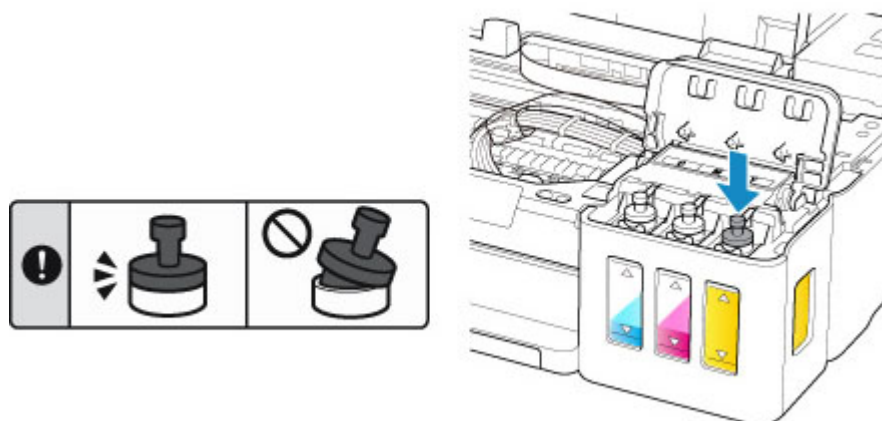
- Asegúrese de que cada color de los depósitos de tinta se rellenan con los frascos de tinta de color correspondientes.
- Cuando rellene los depósitos de tinta, no apriete demasiado los laterales del frasco. Es posible que la tinta salpique.
- No llene el depósito de tinta por encima de la línea del límite superior (I) del depósito de tinta. La tinta que se encuentre por encima de esta línea podría derramarse, lo que provocaría daños o un funcionamiento incorrecto de la impresora, lo que a su vez impediría que se pudiera imprimir.



- Tras rellenar los depósitos de tinta, cierre firmemente la tapa del frasco de tinta.
- Deseche los frascos de tinta vacíos según las normativas y regulaciones locales relativas al tratamiento de residuos.

8. Vuelva a tapar la entrada con la tapa del depósito del depósito de tinta.

Asegúrese de que la tapa del depósito se ha insertado por completo.



»» Nota

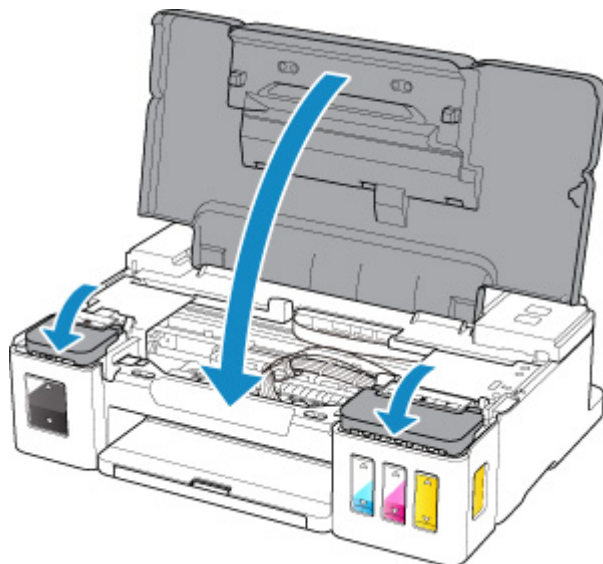
- Al insertar la tapa del depósito, asegúrese de no girar la goma de la tapa del depósito.

9. Cierre la cubierta del depósito de tinta.

»» Importante

- Si no puede cerrar la cubierta del depósito de tinta correctamente, compruebe si ha olvidado insertar alguna tapa del depósito del depósito de tinta.

10. Levante ligeramente la cubierta superior y después ciérrela con cuidado.



»» Nota

- Si la luz de **Alarma (Alarm)** parpadea después de cerrar la cubierta, lleve a cabo la acción oportuna.
 - [Se produce un error](#)
- La impresora puede hacer ruido mientras funciona.

Si la función de notificación del nivel de tinta restante está activada

Restablecimiento del contador de nivel de tinta restante cuando se ha producido un error de tinta restante

Si está activada la función de notificación del nivel de tinta, la luz de **Alarma (Alarm)** parpadea cuando hay poca tinta. Esta función está activada por omisión. Rellene los cuatro depósitos de tinta hasta que estén llenos y, después, restablezca el contador del nivel de tinta restante.

- Para seguir activando la función de notificación del nivel de tinta restante

Mantenga pulsado el botón **REANUDAR/CANCELAR (RESUME/CANCEL)** durante más de 5 segundos.

La luz de **Alarma (Alarm)** se apagará y se restablecerá el contador del nivel de tinta restante.

- Para desactivar la función de notificación del nivel de tinta restante

Pulse el botón **REANUDAR/CANCELAR (RESUME/CANCEL)** y suéltelo inmediatamente.

La luz de **Alarma (Alarm)** se apagará y se desactivará la función de notificación del nivel de tinta restante.

Restablecimiento del contador de nivel de tinta restante cuando no se ha producido ningún error de tinta restante

Si se rellenan los depósitos de tinta cuando está activada la función de notificación del nivel de tinta restante y cuando no ha producido ningún error de tinta restante, rellene los cuatro depósitos de tinta hasta que estén llenos y, a continuación, restablezca el contador del nivel de tinta restante.

- Para seguir activando la función de notificación del nivel de tinta restante

Mantenga pulsado el botón **REANUDAR/CANCELAR (RESUME/CANCEL)** y suéltelo cuando la luz de **Alarma (Alarm)** parpadee 11 veces.

El contador del nivel de tinta restante se reinicia.

- Para desactivar la función de notificación del nivel de tinta restante

Mantenga pulsado el botón **REANUDAR/CANCELAR (RESUME/CANCEL)** y suéltelo cuando la luz de **Alarma (Alarm)** parpadee 10 veces.

La función de notificación del nivel de tinta restante está desactivada.

►►► Importante

- Si la función de notificación del nivel de tinta restante está desactivada, inspeccione visualmente los niveles de tinta restantes y rellene los depósitos de tinta según resulte necesario. Si se continúa imprimiendo con tinta que se encuentra por debajo de la línea de límite inferior de un depósito de tinta, es posible que no se obtenga una calidad de impresión satisfactoria, o que la impresora se dañe o no funcione correctamente.

►►► Nota

- Además, puede definir la función del nivel tinta restante o restablecer el contador del nivel de tinta restante en su ordenador.

■ Cambio del ajuste de notificación del nivel de tinta restante

Notas sobre los frascos de tinta

►► Importante

- Manténgase fuera del alcance de los niños.
- La tinta no debe ingerirse.
- Evite el contacto de la tinta con los ojos o la boca. (de hacerlo, lave con agua y póngase en contacto inmediatamente con un médico).
- Cuando almacene frascos de tinta, cierre las tapas de los frascos por completo y colóquelos en posición vertical. De hacerlo en posición horizontal, la tinta podría derramarse.
- A la hora de rellenar los depósitos de tinta, tome las medidas necesarias para evitar que la tinta salpique a su alrededor.
- La tinta puede manchar la ropa u otras pertenencias de forma permanente. Es posible que su lavado no elimine estas manchas.
- No utilice frascos de tinta ni la tinta que contienen salvo para rellenar los depósitos de las impresoras especificadas por Canon.
- No deje frascos de tinta en zonas expuestas a temperaturas elevadas (por ejemplo, cerca de un fuego, una estufa o dentro de un coche). Los frascos podrían deformarse y provocar que la tinta se derramase o que produjeran resultados de mala calidad.
- No exponga los frascos de tinta a impactos. Los frascos de tinta podrían dañarse o desprenderse sus tapas por los impactos, lo que provocaría que la tinta se derramase.
- No transfiera la tinta a otros contenedores. Esto podría dar lugar a una ingesta accidental, un uso inadecuado o que la tinta produjera resultados de mala calidad.
- No mezcle la tinta con agua u otras tintas. Esto podría dañar la impresora.
- Rellene los depósitos de tinta con rapidez y no deje los depósitos de tinta sin tapar.
- Una vez abierto un frasco de tinta, no deje sin tapar el frasco. De lo contrario, la tinta se secará, lo que posiblemente impida que la impresora funcione como es debido cuando se rellene un depósito de tinta con ese frasco.

►► Nota

- Es posible que la tinta de color se consuma aunque se imprima un documento en blanco y negro o aunque se haya especificado la impresión en blanco y negro. Las dos tintas se consumen durante la limpieza estándar y la limpieza a fondo del cabezal de impresión, procedimientos que pueden ser necesarios para mantener el rendimiento de la impresora.

Cuando el nivel de tinta es bajo, rellénela inmediatamente.

■ [Consejos de tinta](#)

Comprobación del nivel de tinta

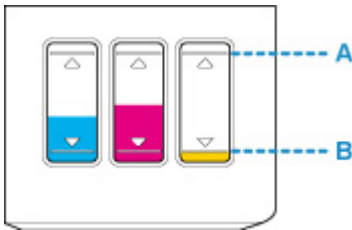
Compruebe el nivel de la tinta mediante el indicador del depósito de tinta que se encuentra en la parte frontal de la impresora.

Cuando la tinta alcance la línea de límite superior (A), será indicativo de que está llena.

Cuando la tinta se halle cerca de la línea de límite inferior (B), será indicativo de que se está quedando sin tinta. Rellene el depósito de tinta.

»» Nota

- Para comprobar el nivel de tinta restante, inspeccione visualmente la tinta restante en el depósito de tinta.



»» Importante

- Si la impresión continúa cuando el nivel de tinta restante se encuentra por debajo de la línea de límite inferior, la impresora puede consumir cierta cantidad de tinta para volver al estado de impresión y también puede dañarse.

»» Nota

- Esta impresora ofrece una función que indica el nivel de tinta restante, denominada "Función de notificación del nivel de tinta restante". Si rellena el depósito de tinta cuando está activada la función de notificación del nivel de tinta restante o cuando se produzca un error de tinta restante, rellene el depósito de tinta hasta que la tinta llegue a la línea de límite superior (A). Si la tinta no alcanza dicha línea de límite superior, no se detectará correctamente el nivel de tinta restante.

Para obtener información detallada acerca de la función de notificación del nivel de tinta, consulte la siguiente información.

■ [Activación de Notificación de la tinta](#)

- Si se produce un error de tinta restante, la luz de **Alarma (Alarm)** parpadeará para informarle de un error.

■ [Se produce un error](#)

- La función de notificación del nivel de tinta restante funciona desde la impresión inicial hasta el momento en que una de las tintas alcanza la línea de límite inferior del depósito de tinta. Para que la notificación del nivel de tinta restante funcione correctamente, cada depósito de tinta debe llenarse completamente con la botella de tinta de color correspondiente incluida con la impresora antes de imprimir. Después del llenado inicial, si cualquiera de los depósitos de tinta se rellena antes de que el nivel de tinta alcance la línea de límite inferior, puede producirse un notable error en la precisión de la función de notificación del nivel de tinta restante. Si desea rellenar un depósito de tinta antes de que el nivel de tinta restante alcance la línea de límite inferior, cerciórese de seguir el procedimiento descrito en el manual.

- A fin de garantizar que se obtiene una calidad de impresión superior y para proteger los cabezales de impresión, en el depósito de tinta permanecerá una determinada cantidad de tinta cuando la impresora indique que deben rellenarse los depósitos de tinta. Los resultados por página estimados del frasco de tinta no incluyen esta cantidad.
 - La tinta fluye de los depósitos de tinta al interior de la impresora. Es posible que parezca que la tinta se ha agotado debido a este procedimiento al empezar a usar la impresora o tras transportarla.
-

Consejos de tinta

¿Cómo se utiliza la tinta para otros fines que no sea la impresión?

La tinta se puede utilizar para otros fines distintos de la impresión.

Durante la configuración inicial, se utiliza parte de la tinta de los frascos de tinta que se incluyen con el paquete para rellenar los inyectores de los cabezales de impresión con el fin de garantizar que la impresora está lista para imprimir.

Por tanto, es posible que el resultado por página del kit de frascos de tinta inicial incluido en el paquete sea inferior al de los siguientes.

Para mantener el rendimiento de la impresora, la impresora Canon lleva a cabo la limpieza automáticamente en función de su estado. Cuando la impresora lleva a cabo la limpieza, se consume una pequeña cantidad de tinta. En este caso, podrían consumirse depósitos de tinta de todos los colores.

[Función de limpieza]

La función de limpieza ayuda a la impresora a absorber las burbujas de aire o la propia tinta de los inyectores y así prevenir la degradación de la calidad de la impresión o el atasco de los inyectores.

¿Utiliza la impresión en blanco y negro tinta de color?

La impresión en blanco y negro puede utilizar otra tinta además de la negra, en función del tipo de papel en el que se imprima o de la configuración del ordenador. Por lo tanto, la tinta de color también se consume durante la impresión en blanco y negro.

Del mismo modo, si se especifica la limpieza del cabezal de impresión de tinta negra, se consumirá tanto tinta de color como negra.

Mantenimiento

- **Si la impresión pierde intensidad o es irregular**
- **Realización de las funciones de mantenimiento desde el ordenador (Windows)**
- **Limpieza**

Si la impresión pierde intensidad o es irregular

- ▶ **Procedimiento de mantenimiento**
- ▶ **Impresión del patrón de prueba de los inyectores**
- ▶ **Análisis del patrón de prueba de los inyectores**
- ▶ **Limpieza del cabezal de impresión**

Procedimiento de mantenimiento

Si los resultados de impresión están borrosos, los colores no se imprimen correctamente o los resultados de impresión no son satisfactorios (por ejemplo, líneas rectas impresas mal alineadas), realice el procedimiento de mantenimiento siguiente.

►►► Importante

- No aclare ni limpie los cabezales de impresión. Podría provocar problemas con el cartucho.

►►► Nota

- Compruebe si queda tinta en los depósitos de tinta.
 - [Comprobación del nivel de tinta](#)
- Si la luz de **Alarma (Alarm)** se enciende o parpadea, consulte [Se produce un error](#).
- El cambio de la configuración en el ordenador podría mejorar el resultado de la impresión.
 - Cambio de la calidad de impresión y corrección de los datos de imagen

Cuando los resultados de impresión son borrosos o irregulares:

Paso1 Imprima el patrón de prueba de los inyectores.

Desde la impresora

- [Impresión del patrón de prueba de los inyectores](#)

Desde el ordenador

- Impresión de un patrón de prueba de los inyectores

Paso2 [Analice el patrón de prueba de los inyectores](#).

Si en el patrón faltan líneas o aparecen bandas blancas horizontales:



Paso3 Limpie el cabezal de impresión.

Desde la impresora

- [Limpieza del cabezal de impresión](#)

Desde el ordenador

- Limpieza (Cleaning)

Tras limpiar el cabezal de impresión, imprima y examine el patrón de prueba de los inyectores: ➔ [Paso1](#)

Si el problema no se soluciona después de llevar a cabo dos veces los pasos del 1 al 3:



Paso4 Limpie el cabezal de impresión a fondo.

- Limpieza a fondo (Deep Cleaning)

Tras limpiar en profundidad el cabezal de impresión, imprima y examine el patrón de prueba de los inyectores:

➡ [Paso1](#)

Si el problema no se soluciona después del paso 4, lleve a cabo el vaciado de tinta.

El vaciado de tinta consume una gran cantidad de tinta. Llevar a cabo vaciados de tinta frecuentes puede consumir rápidamente la tinta, así pues deberá llevar a cabo el vaciado de tinta solo cuando sea necesario.

▶▶▶ **Importante**

- Si el vaciado de tinta se ejecuta cuando el nivel de tinta restante no es suficiente, es posible que se produzca un fallo. Antes de llevar a cabo el vaciado de tinta, compruebe el nivel de tinta restante.

■ Descarga de tinta (Ink Flush)

Si aún así no se resuelve el problema, es posible que el cabezal de impresión esté dañado. Póngase en contacto con el servicio técnico.

Cuando los resultados de impresión son irregulares, por ejemplo, las líneas rectas no están alineadas:

|| Paso Alinee el cabezal de impresión.

- Ajuste la posición del Cabezal de impresión

Impresión del patrón de prueba de los inyectores

Imprima el patrón de prueba de los inyectores para determinar si la tinta sale correctamente por el inyector del cabezal de impresión.

»» Nota

- Si el nivel de tinta restante es bajo, el patrón de prueba de los inyectores no se imprimirá correctamente. Si el nivel de tinta restante es bajo, [rellene los depósitos de tinta](#).

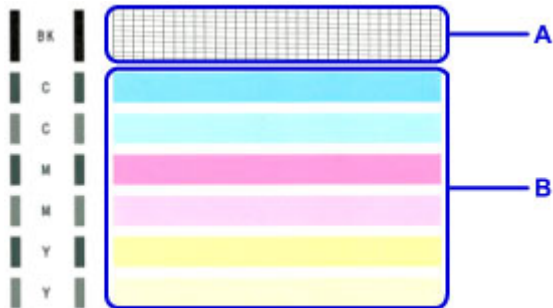
Debe preparar: una hoja de papel normal de tamaño A4 o Carta

1. Asegúrese de que la alimentación esté encendida.
2. Cargue una hoja de papel normal de tamaño A4 o Carta en la bandeja posterior.
3. Extraiga la bandeja de salida del papel y abra la extensión de la bandeja de salida.
4. Mantenga pulsado el botón **REANUDAR/CANCELAR (RESUME/CANCEL)** y suéltelo cuando la luz de **Alarma (Alarm)** parpadee 2 veces.
Se imprimirá el patrón de prueba de los inyectores.
No lleve a cabo ninguna otra operación hasta que la impresora termine de imprimirlo.
5. [Analice el patrón de prueba de los inyectores](#).

Análisis del patrón de prueba de los inyectores

Analice el patrón de prueba de los inyectores y, si es necesario, limpie el cabezal de impresión.

1. Compruebe si faltan líneas en el patrón (A) o si hay rayas blancas horizontales en el patrón (B).



Si faltan líneas en el patrón (A):



(C) Correcto

(D) Incorrecto (faltan líneas)

Si en el patrón aparecen bandas blancas horizontales (B):



(E) Correcto

(F) Incorrecto (presenta bandas blancas horizontales)

Si cualquier color del patrón (A) o el patrón (B) no se imprime:



(Ejemplo: el patrón magenta no se imprime)

Si se aplica una de las anteriores, es necesario [limpiar el cabezal de impresión](#).

Limpieza del cabezal de impresión

Si en el patrón de prueba de los inyectores impreso faltan líneas o aparecen rayas blancas horizontales, limpie el cabezal de impresión. Con la limpieza se desatascan los inyectores y el cabezal de impresión vuelve a la normalidad. La limpieza del cabezal de impresión consume tinta, así que limpie el cabezal de impresión sólo cuando sea necesario.

1. Asegúrese de que la alimentación esté encendida.
2. Mantenga pulsado el botón **REANUDAR/CANCELAR (RESUME/CANCEL)** y suéltelo cuando la luz de **Alarma (Alarm)** parpadee 1 vez.

La impresora comenzará a limpiar el cabezal de impresión.

La limpieza habrá finalizado cuando la luz de **ACTIVADO (ON)** quede fija después de parpadear.

No lleve a cabo ninguna otra operación hasta que la impresora haya finalizado la limpieza del cabezal de impresión. Esta operación dura 1 minuto.

3. Compruebe el estado del cabezal de impresión.

Para comprobar el estado del cabezal de impresión, [imprima el patrón de prueba de los inyectores](#).

»» Nota

- Si el problema no se soluciona tras limpiar el cabezal de impresión dos veces, limpie el cabezal de impresión a fondo.

Limpieza

- ▶ **Limpieza de las superficies exteriores**
- ▶ **Limpieza del interior de la impresora (Limpieza de placa inferior)**

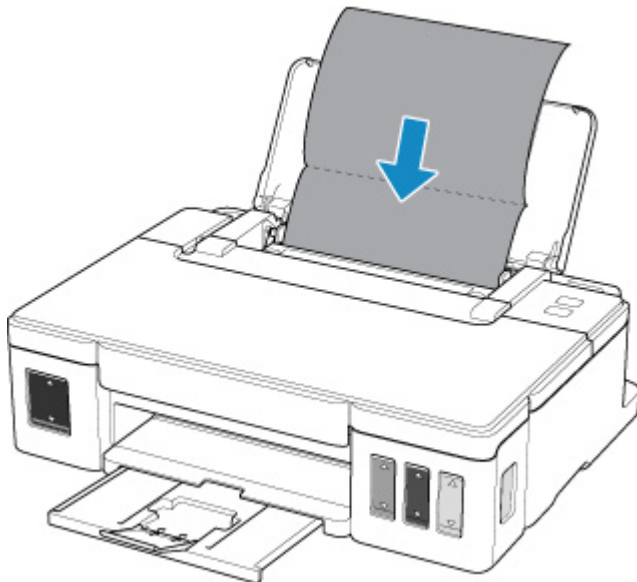
Limpieza del interior de la impresora (Limpieza de placa inferior)

Elimine las manchas provocadas por la tinta del interior de la impresora. Para evitar que el papel impreso se manche con tinta, recomendamos realizar la limpieza regularmente.

Debe preparar: una hoja de papel normal de tamaño A4 o Carta*

* Asegúrese de utilizar una hoja de papel nueva.

1. Asegúrese de que la alimentación esté encendida.
2. Prepare el papel.
 1. Doble por la mitad a lo ancho una hoja de papel normal de tamaño A4 o Carta y desdóblela después.
 2. Cargue solo esta hoja de papel en la bandeja posterior con la parte abierta mirando hacia usted.



3. Extraiga la bandeja de salida del papel y abra la extensión de la bandeja de salida.
3. Mantenga pulsado el botón **REANUDAR/CANCELAR (RESUME/CANCEL)** y suéltelo cuando la luz de **Alarma (Alarm)** parpadee 5 veces.

El papel limpia el interior de la impresora a medida que pasa por la impresora.

Compruebe las partes dobladas del papel expulsado. Si tienen manchas de tinta, repita la limpieza de la placa inferior.

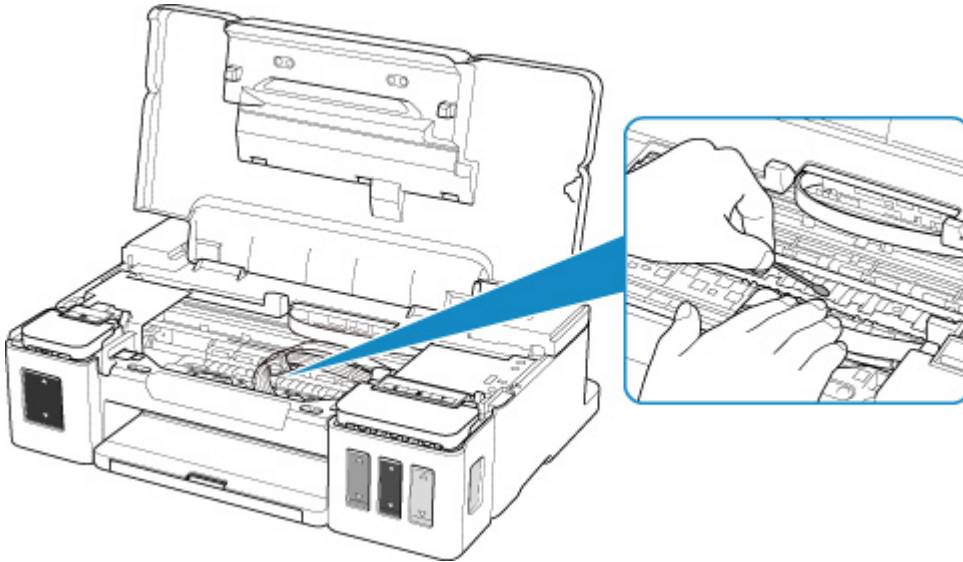
»» Nota

- Cuando vuelva a limpiar la placa inferior, asegúrese de que utiliza un papel nuevo.

Si el problema no se resuelve después de limpiar la placa inferior otra vez, puede que los salientes del interior de la impresora estén sucios. Utilice un bastoncillo de algodón o algo similar para eliminar la tinta que pudieran tener.

►► Importante

- No olvide apagar la impresora y desenchufar el cable de alimentación antes de limpiar la impresora. Podría provocar problemas con la impresora.



Visión general

➤ Seguridad

- Precauciones de seguridad
- Información sobre regulaciones
- RAEE (UE Y EEE)

➤ Precauciones de manejo

- Cancelación de trabajos de impresión
- Restricciones legales sobre impresión
- Precauciones de manejo de la impresora
- Transporte de la impresora
- Reparación, préstamo o desecho de una impresora
- Mantener una alta calidad de impresión

➤ Componentes principales y su funcionamiento

- Componentes principales
- Fuente de alimentación

➤ Cambio de la configuración

- Cambio de la configuración de la Impresora desde el ordenador (Windows)
- Cambio de la configuración desde el panel de control

➤ Especificaciones

Seguridad

- ▶ **Precauciones de seguridad**
- ▶ **Información sobre regulaciones**
- ▶ **WEEE (EU&EEA)**

Precauciones de seguridad

Elección del emplazamiento

- No instale la impresora sobre una superficie inestable o que esté expuesta a excesivas vibraciones.
- No instale la impresora en lugares húmedos o expuestos al polvo o a la luz directa del sol, cerca de una fuente de calor o al aire libre.

Para evitar el riesgo de incendios o de descargas eléctricas, utilice la impresora en el entorno de operación especificado en la [Especificaciones](#).

- No coloque la impresora sobre una moqueta o una alfombra gruesa.
- No coloque la parte posterior de la impresora pegada a la pared.

Fuente de alimentación

- Asegúrese de que el área que rodea la toma de corriente esté despejada en todo momento para que el cable de alimentación eléctrica se pueda desenchufar fácilmente si fuera necesario.
- Jamás desenchufe el equipo tirando del cable.

Si tira del cable de alimentación puede dañarlo, lo que podría causar un incendio o descarga eléctrica.

- No use alargadores.

Actividades cerca de la impresora

- No ponga las manos ni los dedos en la impresora mientras esté imprimiendo.
- Cuando traslade la impresora, agárrela por ambos extremos. En caso de que la impresora pese más de 14 kg, se recomienda que la levanten dos personas. La caída accidental de la impresora podría causar lesiones. Con respecto al peso de la impresora, consulte la [Especificaciones](#).
- No transporte ni use la impresora inclinada, verticalmente o al revés, ya que se puede derramar la tinta y dañar la impresora.
- No coloque ningún objeto sobre la impresora. En especial, no ponga objetos de metal (clips, grapas, etc.) ni recipientes con materiales inflamables (alcohol, disolventes, etc.) sobre la impresora.

Cartuchos/Frascos de tinta

- Mantenga los frascos de tinta fuera del alcance de los niños. Si la tinta se introduce accidentalmente en la boca, se chupa o ingiere, se debe enjuagar la boca o beber un par de vasos de agua. Si se produce irritación o alguna molestia, consulte inmediatamente con un médico.
- Si la tinta entra en contacto con los ojos, aclárelos con agua de forma inmediata. Si la tinta entra en contacto con la piel, lávela con agua y jabón inmediatamente. Si persiste la irritación en los ojos o la piel, consulte con un médico de forma inmediata.
- Nunca toque los contactos eléctricos de los cartuchos después de imprimir. Las piezas metálicas pueden estar muy calientes y causar quemaduras.
- No tire los cartuchos ni los frascos de tinta al fuego.
- No intente desarmar ni modificar los cartuchos ni los frascos de tinta.

Información sobre regulaciones

Usuarios en Argentina

Requisitos de alimentación

No utilice la impresora con un voltaje diferente al del país de compra. El uso de un voltaje incorrecto podría provocar un incendio o una descarga eléctrica. El voltaje y la frecuencia correctos son:

CA 100-240 V, 50/60 Hz

Environmental Information

Reducing your environmental impact

Power Consumption and Operational Modes

The amount of electricity a device consumes depends on the way the device is used. This product is designed and set in a way to allow you to reduce the power consumption. After the last print it switches to Ready Mode. In this mode it can print again immediately if required. If the product is not used for a time, the device switches to its Sleep Mode. The devices consume less power (Watt) in these modes.

Energy Star®

The Energy Star® programme is a voluntary scheme to promote the development and purchase of energy efficient models, which help to minimise environmental impact.

Products which meet the stringent requirements of the Energy Star® programme for both environmental benefits and the amount of energy consumption will carry the Energy Star® logo accordingly.

Paper types

This product can be used to print on both recycled and virgin paper (certified to an environmental stewardship scheme), which complies with EN12281 or a similar quality standard. In addition it can support printing on media down to a weight of 64g/m², lighter paper means less resources used and a lower environmental footprint for your printing needs.

WEEE (EU&EEA)

Only for European Union and EEA (Norway, Iceland and Liechtenstein)



This symbol indicates that this product is not to be disposed of with your household waste, according to the WEEE Directive (2012/19/EU) and national legislation. This product should be handed over to a designated collection point, e.g., on an authorized one-for-one basis when you buy a new similar product or to an authorized collection site for recycling waste electrical and electronic equipment (EEE). Improper handling of this type of waste could have a possible negative impact on the environment and human health due to potentially hazardous substances that are generally associated with EEE. At the same time, your cooperation in the correct disposal of this product will contribute to the effective usage of natural resources. For more information about where you can drop off your waste equipment for recycling, please contact your local city office, waste authority, approved WEEE scheme or your household waste disposal service. For more information regarding return and recycling of WEEE products, please visit www.canon-europe.com/weee.

Nur für Europäische Union und EWR (Norwegen, Island und Liechtenstein)



Dieses Symbol weist darauf hin, dass dieses Produkt gemäß der EU-Richtlinie über Elektro- und Elektronik-Altgeräte (2012/19/EU) und nationalen Gesetzen nicht über den Hausmüll entsorgt werden darf. Dieses Produkt muss bei einer dafür vorgesehenen Sammelstelle abgegeben werden. Dies kann z. B. durch Rückgabe beim Kauf eines ähnlichen Produkts oder durch Abgabe bei einer autorisierten Sammelstelle für die Wiederaufbereitung von Elektro- und Elektronik-Altgeräten geschehen. Der unsachgemäße Umgang mit Altgeräten kann aufgrund potentiell gefährlicher Stoffe, die generell mit Elektro- und Elektronik-Altgeräten in Verbindung stehen, negative Auswirkungen auf die Umwelt und die menschliche Gesundheit haben. Durch die umweltgerechte Entsorgung dieses Produkts tragen Sie außerdem zu einer effektiven Nutzung natürlicher Ressourcen bei. Informationen zu Sammelstellen für Altgeräte erhalten Sie bei Ihrer Stadtverwaltung, dem öffentlich-rechtlichen Entsorgungsträger, einer autorisierten Stelle für die Entsorgung von Elektro- und Elektronik-Altgeräten oder Ihrem örtlichen Entsorgungsunternehmen. Weitere Informationen zur Rückgabe und Entsorgung von Elektro- und Elektronik-Altgeräten finden Sie unter www.canon-europe.com/weee.

Union Européenne, Norvège, Islande et Liechtenstein uniquement.



Ce symbole indique que ce produit ne doit pas être jeté avec les ordures ménagères, conformément à la directive DEEE (2012/19/UE) et à la réglementation de votre pays. Ce produit doit être confié au distributeur à chaque fois que vous achetez un produit neuf similaire, ou à un point de collecte mis en

place par les collectivités locales pour le recyclage des Déchets des Équipements Électriques et Électroniques (DEEE). Le traitement inapproprié de ce type de déchet risque d'avoir des répercussions sur l'environnement et la santé humaine, du fait de la présence de substances potentiellement dangereuses généralement associées aux équipements électriques et électroniques. Parallèlement, votre entière coopération dans le cadre de la mise au rebut correcte de ce produit favorisera une meilleure utilisation des ressources naturelles. Pour plus d'informations sur les points de collecte des équipements à recycler, contactez vos services municipaux, les autorités locales compétentes, le plan DEEE approuvé ou le service d'enlèvement des ordures ménagères. Pour plus d'informations sur le retour et le recyclage des produits DEEE, consultez le site: www.canon-europe.com/weee.

Uitsluitend bestemd voor de Europese Unie en EER (Noorwegen, IJsland en Liechtenstein)



Dit symbool geeft aan dat dit product in overeenstemming met de AEEA-richtlijn (2012/19/EU) en de nationale wetgeving niet mag worden afgevoerd met het huishoudelijk afval. Dit product moet worden ingeleverd bij een aangewezen, geautoriseerd inzamelpunt, bijvoorbeeld wanneer u een nieuw gelijksoortig product aanschaft, of bij een geautoriseerd inzamelpunt voor hergebruik van elektrische en elektronische apparatuur (EEA). Een onjuiste afvoer van dit type afval kan leiden tot negatieve effecten op het milieu en de volksgezondheid als gevolg van potentieel gevaarlijke stoffen die veel voorkomen in elektrische en elektronische apparatuur (EEA). Bovendien werkt u door een juiste afvoer van dit product mee aan het effectieve gebruik van natuurlijke hulpbronnen. Voor meer informatie over waar u uw afgedankte apparatuur kunt inleveren voor recycling kunt u contact opnemen met het gemeentehuis in uw woonplaats, de reinigingsdienst, of het afvalverwerkingsbedrijf. U kunt ook het schema voor de afvoer van afgedankte elektrische en elektronische apparatuur (AEEA) raadplegen. Ga voor meer informatie over het inzamelen en recyclen van afgedankte elektrische en elektronische apparatuur naar www.canon-europe.com/weee.

Sólo para la Unión Europea y el Área Económica Europea (Noruega, Islandia y Liechtenstein)



Este símbolo indica que este producto no debe desecharse con los desperdicios domésticos, de acuerdo con la directiva RAEE (2012/19/UE) y con la legislación nacional. Este producto debe entregarse en uno de los puntos de recogida designados, como por ejemplo, entregándolo en el lugar de venta al comprar un producto similar o depositándolo en un lugar de recogida autorizado para el reciclado de residuos de aparatos eléctricos y electrónicos (RAEE). La manipulación inapropiada de este tipo de desechos podría tener un impacto negativo en el entorno y la salud humana, debido a las sustancias potencialmente peligrosas que normalmente están asociadas con los RAEE. Al mismo tiempo, su cooperación a la hora de desechar correctamente este producto contribuirá a la utilización eficaz de los recursos naturales. Para más información sobre cómo puede eliminar el equipo para su reciclado, póngase en contacto con las autoridades locales, con las autoridades encargadas de los desechos, con un sistema de gestión RAEE

autorizado o con el servicio de recogida de basuras doméstico. Si desea más información acerca de la devolución y reciclado de RAEE, visite la web www.canon-europe.com/weee.

Només per a la Unió Europea i a l'Espai Econòmic Europeu (Noruega, Islàndia i Liechtenstein)



Aquest símbol indica que aquest producte no s'ha de llençar a les escombraries de la llar, d'acord amb la Directiva RAEE (2012/19/UE) i la legislació nacional. Aquest producte s'hauria de lliurar en un dels punts de recollida designats, com per exemple, intercanviant-lo un per un en comprar un producte similar o lliurant-lo en un lloc de recollida autoritzat per al reciclatge de residus d'aparells elèctrics i electrònics (AEE). La manipulació inadequada d'aquest tipus de residus podria tenir un impacte negatiu en l'entorn i en la salut humana, a causa de les substàncies potencialment perilloses que normalment estan associades als AEE. Així mateix, la vostra cooperació a l'hora de llençar correctament aquest producte contribuirà a la utilització efectiva dels recursos naturals. Per a més informació sobre els punts on podeu lliurar aquest producte per procedir al seu reciclatge, adreceu-vos a la vostra oficina municipal, a les autoritats encarregades dels residus, al pla de residus homologat per la RAEE o al servei de recollida de deixalles domèstiques de la vostra localitat. Per a més informació sobre la devolució i el reciclatge de productes RAEE, visiteu www.canon-europe.com/weee.

Solo per Unione Europea e SEE (Norvegia, Islanda e Liechtenstein)



Questo simbolo indica che il prodotto deve essere oggetto di raccolta separata in conformità alla Direttiva RAEE (2012/19/UE) e alla normativa locale vigente. Il prodotto deve essere smaltito presso un centro di raccolta differenziata, un distributore autorizzato che applichi il principio dell'"uno contro uno", ovvero del ritiro della vecchia apparecchiatura elettrica al momento dell'acquisto di una nuova, o un impianto autorizzato al riciclaggio dei rifiuti di apparecchiature elettriche ed elettroniche. La gestione impropria di questo tipo di rifiuti può avere un impatto negativo sull'ambiente e sulla salute umana causato dalle sostanze potenzialmente pericolose che potrebbero essere contenute nelle apparecchiature elettriche ed elettroniche. Un corretto smaltimento di tali prodotti contribuirà inoltre a un uso efficace delle risorse naturali ed eviterà di incorrere nelle sanzioni amministrative di cui all'art. 255 e successivi del Decreto Legislativo n. 152/06. Per ulteriori informazioni sullo smaltimento e il recupero dei Rifiuti di Apparecchiature Elettriche ed Elettroniche, consultare la Direttiva RAEE, rivolgersi alle autorità competenti, oppure visitare il sito www.canon-europe.com/weee.

Apenas para a União Europeia e AEE (Noruega, Islândia e Liechtenstein)



Este símbolo indica que o produto não deve ser colocado no lixo doméstico, de acordo com a Directiva REEE (2012/19/UE) e a legislação nacional. Este produto deverá ser colocado num ponto de recolha designado, por exemplo, num local próprio autorizado quando adquirir um produto semelhante novo ou num local de recolha autorizado para reciclar resíduos de equipamentos eléctricos e electrónicos (EEE). O tratamento inadequado deste tipo de resíduo poderá causar um impacto negativo no ambiente e na saúde humana devido às substâncias potencialmente perigosas normalmente associadas aos equipamentos eléctricos e electrónicos. Simultaneamente, a sua cooperação no tratamento correcto deste produto contribuirá para a utilização eficaz dos recursos naturais. Para mais informações sobre os locais onde o equipamento poderá ser reciclado, contacte os serviços locais, a autoridade responsável pelos resíduos, o esquema REEE aprovado ou o serviço de tratamento de lixo doméstico. Para mais informações sobre a devolução e reciclagem de produtos REEE, vá a www.canon-europe.com/weee.

Gælder kun i Europæiske Union og EØS (Norge, Island og Liechtenstein)



Dette symbol angiver, at det pågældende produkt ikke må bortskaffes sammen med dagrenovation jf. direktivet om affald af elektrisk og elektronisk udstyr (WEEE) (2012/19/EU) og gældende national lovgivning. Det pågældende produkt skal afleveres på et nærmere specificeret indsamlingssted, f.eks. i overensstemmelse med en godkendt én-til-én-procedure, når du indkøber et nyt tilsvarende produkt, eller produktet skal afleveres på et godkendt indsamlingssted for elektronikaffald. Forkert håndtering af denne type affald kan medføre negative konsekvenser for miljøet og menneskers helbred på grund af de potentielt sundhedsskadelige stoffer, der generelt kan forefindes i elektrisk og elektronisk udstyr. Når du foretager korrekt bortskaffelse af det pågældende produkt, bidrager du til effektiv brug af naturressourcerne. Yderligere oplysninger om, hvor du kan bortskaffe dit elektronikaffald med henblik på genanvendelse, får du hos de kommunale renovationsmyndigheder. Yderligere oplysninger om returnering og genanvendelse af affald af elektrisk og elektronisk udstyr får du ved at besøge www.canon-europe.com/weee.

Μόνο για την Ευρωπαϊκή Ένωση και τον ΕΟΧ (Νορβηγία, Ισλανδία και Λιχτενστάιν)



Αυτό το σύμβολο υποδηλώνει ότι αυτό το προϊόν δεν πρέπει να απορρίπτεται μαζί με τα οικιακά απορρίμματα, σύμφωνα με την Οδηγία σχετικά με τα Απόβλητα Ηλεκτρικού και Ηλεκτρονικού Εξοπλισμού (ΑΗΗΕ) (2012/19/ΕΕ) και την εθνική σας νομοθεσία. Αυτό το προϊόν πρέπει να παραδίδεται σε καθορισμένο σημείο συλλογής, π.χ. σε μια εξουσιοδοτημένη βάση ανταλλαγής όταν αγοράζετε ένα νέο παρόμοιο προϊόν ή σε μια εξουσιοδοτημένη θέση συλλογής για την ανακύκλωση των αποβλήτων Ηλεκτρικού και Ηλεκτρονικού Εξοπλισμού (ΗΗΕ). Ο ακατάλληλος χειρισμός αυτού του τύπου αποβλήτων μπορεί να έχει αρνητικό αντίκτυπο στο περιβάλλον και την υγεία του ανθρώπου, λόγω δυνητικών επικίνδυνων ουσιών που γενικά συνδέονται με τον ΗΗΕ. Ταυτόχρονα, η συνεργασία σας όσον αφορά τη σωστή απόρριψη αυτού του προϊόντος θα συμβάλει στην αποτελεσματική χρήση των φυσικών πόρων. Για περισσότερες πληροφορίες σχετικά με τα σημεία όπου μπορείτε να απορρίψετε τον εξοπλισμό σας για

ανακύκλωση, επικοινωνήστε με το τοπικό γραφείο της πόλης σας, την υπηρεσία απορριμμάτων, το εγκεκριμένο σχήμα ΑΗΗΕ ή την υπηρεσία απόρριψης οικιακών αποβλήτων. Για περισσότερες πληροφορίες σχετικά με την επιστροφή και την ανακύκλωση των προϊόντων ΑΗΗΕ, επισκεφθείτε την τοποθεσία www.canon-europe.com/weee.

Gjelder kun den europeiske union og EØS (Norge, Island og Liechtenstein)



Dette symbolet indikerer at dette produktet ikke skal kastes sammen med husholdningsavfall, i henhold til WEEE-direktiv (2012/19/EU) og nasjonal lov. Produktet må leveres til et dertil egnet innsamlingspunkt, det vil si på en autorisert en-til-en-basis når du kjøper et nytt lignende produkt, eller til et autorisert innsamlingssted for resirkulering av avfall fra elektrisk og elektronisk utstyr (EE-utstyr). Feil håndtering av denne typen avfall kan være miljø- og helseskadelig på grunn av potensielt skadelige stoffer som ofte brukes i EE-utstyr. Samtidig bidrar din innsats for korrekt avhending av produktet til effektiv bruk av naturressurser. Du kan få mer informasjon om hvor du kan avhende utrangert utstyr til resirkulering ved å kontakte lokale myndigheter, et godkjent WEEE-program eller husholdningens renovasjonsselskap. Du finner mer informasjon om retur og resirkulering av WEEE-produkter på www.canon-europe.com/weee.

Vain Euroopan unionin sekä ETA:n (Norja, Islanti ja Liechtenstein) alueelle.



Tämä tunnus osoittaa, että sähkö- ja elektroniikkalaiteromua koskeva direktiivi (SER-direktiivi, 2012/19/EU) sekä kansallinen lainsäädäntö kieltävät tuotteen hävittämisen talousjätteen mukana. Tuote on vietävä asianmukaiseen keräyspisteeseen, esimerkiksi kodinkoneliikkeeseen uutta vastaavaa tuotetta ostettaessa tai viralliseen sähkö- ja elektroniikkalaiteromun keräyspisteeseen. Sähkö- ja elektroniikkalaiteromun virheellinen käsittely voi vahingoittaa ympäristöä ja ihmisten terveyttä, koska laitteet saattavat sisältää ympäristölle ja terveydelle haitallisia aineita. Lisäksi tuotteen asianmukainen hävittäminen säästää luonnonvaroja. Lisätietoja sähkö- ja elektroniikkalaiteromun keräyspisteistä saat kaupunkien ja kuntien tiedotuksesta, jätehuoltoviranomaisilta, sähkö- ja elektroniikkalaiteromun kierrätysjärjestelmän ylläpitäjältä ja jätehuoltoyhtiöltä. Lisätietoja sähkö- ja elektroniikkalaiteromun keräyksestä ja kierrätyksestä on osoitteessa www.canon-europe.com/weee.

Endast för Europeiska unionen och EES (Norge, Island och Liechtenstein)



Den här symbolen visar att produkten enligt WEEE-direktivet (2012/19/EU) och nationell lagstiftning inte får sorteras och slängas som hushållsavfall. Den här produkten ska lämnas in på en därför avsedd insamlingsplats, t.ex. på en återvinningsstation auktoriserad att hantera elektrisk och elektronisk utrustning (EE-utrustning) eller hos handlare som är auktoriserade att byta in varor då nya, motsvarande

köps (en mot en). Olämplig hantering av avfall av den här typen kan ha en negativ inverkan på miljön och människors hälsa på grund av de potentiellt farliga ämnen som kan återfinnas i elektrisk och elektronisk utrustning. Din medverkan till en korrekt avfallshantering av den här produkten bidrar dessutom till en effektiv användning av naturresurserna. Kontakta ditt lokala kommunkontor, berörd myndighet, företag för avfallshantering eller ta del av en godkänd WEEE-organisation om du vill ha mer information om var du kan lämna den kasserade produkten för återvinning. För mer information om inlämning och återvinning av WEEE-produkter, se www.canon-europe.com/weee.

Pouze Evropská unie a EHP (Norsko, Island a Lichtenštejsko)



Tento symbol znamená, že podle směrnice o OEEZ (2012/19/EU) a podle vnitrostátních právních předpisů nemá být tento výrobek likvidován s odpadem z domácností. Tento výrobek má být vrácen do sběrného místa, např. v rámci autorizovaného systému odběru jednoho výrobku za jeden nově prodaný podobný výrobek nebo v autorizovaném sběrném místě pro recyklaci odpadních elektrických a elektronických zařízení (OEEZ). Nevhodné nakládání s tímto druhem odpadu by mohlo mít negativní dopad na životní prostředí a lidské zdraví, protože elektrická a elektronická zařízení zpravidla obsahují potenciálně nebezpečné látky. Vaše spolupráce na správné likvidaci tohoto výrobku současně napomůže efektivnímu využívání přírodních zdrojů. Další informace o místech sběru vašeho odpadního zařízení k recyklaci vám sdělí místní úřad vaší obce, správní orgán vykonávající dozor nad likvidací odpadu, sběrný OEEZ nebo služba pro odvoz komunálního odpadu. Další informace týkající se vracení a recyklace OEEZ naleznete na adrese www.canon-europe.com/weee.

Csak az Európai Unió és az EGT (Norvégia, Izland és Liechtenstein) országokban



Ez a szimbólum azt jelzi, hogy a helyi törvények és a WEEE-irányelv (2012/19/EU) szerint a termék nem kezelhető háztartási hulladékként. A terméket a kijelölt nyilvános gyűjtőpontokon kell leadni, például hasonló cserekészülék vásárlásakor, illetve bármelyik, elektromos és elektronikai berendezésekből származó hulladék (WEEE) átvételére feljogosított gyűjtőponton. Az ilyen jellegű hulladékok a nem megfelelő kezelés esetén a bennük található veszélyes anyagok révén ártalmasak lehetnek a környezetre és az emberek egészségére. Továbbá, a termékből származó hulladék megfelelő kezelésével hozzájárulhat a természetes nyersanyagok hatékonyabb hasznosításához. A berendezésekből származó, újrahasznosítható hulladékok elhelyezésére vonatkozó további tudnivalóért forduljon a helyi önkormányzathoz, a közterület-fenntartó vállalathoz, a háztartási hulladék begyűjtését végző vállalathoz, illetve a hivatalos WEEE-képviselőhöz. További tudnivalókat a WEEE-termékek visszajuttatásáról és újrahasznosításáról a www.canon-europe.com/weee.

Tylko dla krajów Unii Europejskiej oraz EOG (Norwegia, Islandia i Liechtenstein)



Ten symbol oznacza, że zgodnie z dyrektywą WEEE dotyczącą zużytego sprzętu elektrycznego i elektronicznego (2012/19/UE) oraz przepisami lokalnymi nie należy wyrzucać tego produktu razem z odpadami gospodarstwa domowego. Produkt należy przekazać do wyznaczonego punktu gromadzenia odpadów, np. firmie, od której kupowany jest nowy, podobny produkt lub do autoryzowanego punktu gromadzenia zużytego sprzętu elektrycznego i elektronicznego w celu poddania go recyklingowi. Usuwanie tego typu odpadów w nieodpowiedni sposób może mieć negatywny wpływ na otoczenie i zdrowie innych osób ze względu na niebezpieczne substancje stosowane w takim sprzęcie. Jednocześnie pozbycie się zużytego sprzętu w zalecany sposób przyczynia się do właściwego wykorzystania zasobów naturalnych. Aby uzyskać więcej informacji na temat punktów, do których można dostarczyć sprzęt do recyklingu, prosimy skontaktować się z lokalnym urzędem miasta, zakładem utylizacji odpadów, skorzystać z instrukcji zatwierdzonej dyrektywą WEEE lub skontaktować się z przedsiębiorstwem zajmującym się wywozem odpadów domowych. Więcej informacji o zwracaniu i recyklingu zużytego sprzętu elektrycznego i elektronicznego znajduje się w witrynie www.canon-europe.com/weee.

Plati len pre štáty Európskej únie a EHP (Nórsko, Island a Lichtenštajnsko)



Tento symbol znamená, že podľa Smernice 2012/19/EÚ o odpade z elektrických a elektronických zariadení (OEEZ) a podľa platnej legislatívy Slovenskej republiky sa tento produkt nesmie likvidovať spolu s komunálnym odpadom. Produkt je potrebné odovzdať do určenej zberne, napr. prostredníctvom výmeny za kúpu nového podobného produktu, alebo na autorizované zberné miesto, ktoré spracúva odpad z elektrických a elektronických zariadení (EEZ). Nesprávna manipulácia s takýmto typom odpadu môže mať negatívny vplyv na životné prostredie a ľudské zdravie, pretože elektrické a elektronické zariadenia obsahujú potenciálne nebezpečné látky. Spoluprácou na správnej likvidácii produktu prispějete k účinnému využívaniu prírodných zdrojov. Ďalšie informácie o mieste recyklácie opotrebovaných zariadení získate od miestneho úradu, úradu životného prostredia, zo schváleného plánu OEEZ alebo od spoločnosti, ktorá zaisťuje likvidáciu komunálneho odpadu. Viac informácií nájdete aj na webovej stránke: www.canon-europe.com/weee.

Üksnes Euroopa Liit ja EMP (Norra, Island ja Liechtenstein)



See sümbol näitab, et antud toodet ei tohi vastavalt elektri- ja elektroonikaseadmete jäätmeid käsitlevale direktiivile (2012/19/EL) ning teie riigis kehtivatele õigusaktidele utiliseerida koos olmejäätmetega. Antud toode tuleb anda selleks määratud kogumispunkti, nt müügipunkt, mis on volitatud üks ühe vastu vahetama, kui ostate uue sarnase toote, või elektri- ja elektroonikaseadmete jäätmete ümbertöötlemiseks

mõeldud kogumispunkti. Täiendava teabe saamiseks elektri- ja elektroonikaseadmetest tekkinud jäätmete tagastamise ja ümbertöötlemise kohta võtke ühendust kohaliku omavalitsusega, asjakohase valitsusasutusega, asjakohase tootjavastutusorganisatsiooniga või olmejäätmete käitlejaga. Lisateavet leitate ka Interneti-leheküljelt www.canon-europe.com/weee.

Tikai Eiropas Savienībai un EEZ (Norvēģijai, Islandei un Lihtenšteinai)



Šis simbols norāda, ka atbilstoši ES Direktīvai (2012/19/ES) par elektrisko un elektronisko iekārtu atkritumiem (EEIA) un vietējiem tiesību aktiem no šī izstrādājuma nedrīkst atbrīvoties, izmetot to kopā ar sadzīves atkritumiem. Šis izstrādājums ir jānodod piemērotā savākšanas vietā, piemēram, apstiprinātā veikalā, kur iegādājaties līdzīgu jaunu produktu un atstājat veco, vai apstiprinātā vietā izlietotu elektrisko un elektronisko iekārtu pārstrādei. Nepareiza šāda veida atkritumu apsaimniekošana var apdraudēt vidi un cilvēka veselību tādu iespējami bīstamu vielu dēļ, kas parasti ir elektriskajās un elektroniskajās iekārtās. Turklāt jūsu atbalsts pareizā šāda veida atkritumu apsaimniekošanā sekmēs efektīvu dabas resursu izmantošanu. Lai saņemtu pilnīgāku informāciju par vietām, kur izlietoto iekārtu var nodot pārstrādei, sazinieties ar vietējo pašvaldību, atkritumu savākšanas atbildīgo dienestu, pilnvarotu EEIA struktūru vai sadzīves atkritumu apsaimniekošanas iestādi. Lai saņemtu plašāku informāciju par elektrisko un elektronisko iekārtu nodošanu pārstrādei, apmeklējiet tīmekļa vietni www.canon-europe.com/weee.

Tik Europos Sąjungai ir EEE (Norvegijai, Islandijai ir Lichtenšteinai)



Šis ženkla reiškia, kad gaminio negalima išmesti su buitinėmis atliekomis, kaip yra nustatyta Direktyvoje (2012/19/ES) ir nacionaliniuose teisė aktuose dėl EEJ atliekų tvarkymo. Šį gaminį reikia atiduoti į tam skirtą surinkimo punktą, pvz., pagal patvirtintą keitimo sistemą, kai perkamas panašus gaminy, arba į elektros ir elektroninės įrangos (EEJ) atliekų perdirbimo punktą. Netinkamas tokios rūšies atliekų tvarkymas dėl elektros ir elektroninėje įrangoje esančių pavojingų medžiagų gali pakenkti aplinkai ir žmonių sveikatai. Padėdami užtikrinti tinkamą šio gaminio šalinimo tvarką, kartu prisidėsite prie veiksmingo gamtos išteklių naudojimo. Jei reikia daugiau informacijos, kaip šalinti tokias atliekas, kad jos būtų toliau perdirbamos, kreipkitės į savo miesto valdžios institucijas, atliekų tvarkymo organizacijas, patvirtintų EEJ atliekų sistemų arba jūsų buitinių atliekų tvarkymo įstaigų atstovus. Išsamesnės informacijos apie EEJ atliekų grąžinimo ir perdirbimo tvarką galite rasti apsilankę tinklalapyje www.canon-europe.com/weee.

Samo za Evropsko unijo in EGP (Norveška, Islandija in Lihtenštajn)



Ta simbol pomeni, da tega izdelka v skladu z direktivo OEEО (2012/19/EU) in državno zakonodajo ne smete odvreči v gospodinjske odpadke. Ta izdelek morate odložiti na ustrezno zbiralno mesto, na primer pri pooblaščenem prodajalcu, ko kupite podoben nov izdelek ali na zbiralno mesto za recikliranje električne in elektronske opreme. Neprimerno ravnanje s takšnimi odpadki lahko negativno vpliva na okolje in človekovo zdravje zaradi nevarnih snovi, ki so povezane z električno in elektronsko opremo. S pravilno odstranitvijo izdelka hkrati prispevate tudi k učinkoviti porabi naravnih virov. Če želite več informacij o tem, kje lahko odložite odpadno opremo za recikliranje, pokličite občinski urad, komunalno podjetje ali službo, ki skrbi za odstranjevanje odpadkov, ali si oglejte načrt OEEО. Če želite več informacij o vračanju in recikliranju izdelkov v skladu z direktivo OEEО, obiščite www.canon-europe.com/weee.

Само за Европейския съюз и ЕИП (Норвегия, Исландия и Лихтенщайн)



Този символ показва, че този продукт не трябва да се изхвърля заедно с битовите отпадъци, съгласно Директивата за ИУЕЕО (2012/19/ЕС) и Вашето национално законодателство. Този продукт трябва да бъде предаден в предназначен за целта пункт за събиране, например на база размяна, когато купувате нов подобен продукт, или в одобрен събирателен пункт за рециклиране на излязло от употреба електрическо и електронно оборудване (ИУЕЕО). Неправилното третиране на този тип отпадъци може да доведе до евентуални отрицателни последици за околната среда и човешкото здраве поради потенциално опасните вещества, които обикновено са свързани с ЕЕО. В същото време Вашето съдействие за правилното изхвърляне на този продукт ще допринесе за ефективното използване на природните ресурси. Повече информация относно местата, където може да предавате излязло от употреба оборудване за рециклиране, може да получите от местните власти, от органа, отговорен за отпадъците и от одобрена система за излязло от употреба ЕЕО или от Вашата местна служба за битови отпадъци. За повече информация относно връщането и рециклирането на продукти от излязло от употреба ЕЕО посетете www.canon-europe.com/weee.

Doar pentru Uniunea Europeană și EEA (Norvegia, Islanda și Liechtenstein)



Acest simbol indică faptul că acest produs nu trebuie aruncat o dată cu reziduurile menajere, în conformitate cu Directiva DEEE (Directiva privind deșeurile de echipamente electrice și electronice) (2012/19/UE) și legile naționale. Acest produs trebuie transportat la un punct de colectare special, de exemplu un centru care preia produsele vechi atunci când achiziționați un produs nou similar, sau la un punct de colectare autorizat pentru reciclarea deșeurilor provenite de la echipamentele electrice și electronice (EEE). Mănuirea necorespunzătoare a acestor tipuri de deșeuri poate avea un impact negativ asupra mediului înconjurător și sănătății indivizilor, din cauza substanțelor potențial nocive care sunt în general asociate cu EEE. În același timp, cooperarea dvs. la reciclarea corectă a acestui produs va contribui la utilizarea efectivă a resurselor naturale. Pentru mai multe informații privind locurile de reciclare a deșeurilor provenite de la echipamente, contactați biroul primăriei locale, autoritatea responsabilă cu colectarea deșeurilor, schema DEEE aprobată sau serviciul de colectare a deșeurilor menajere. Pentru

mai multe informații privind returnarea și reciclarea produselor DEEE, vizitați www.canon-europe.com/weee.

Samo za Europsku uniju i EEZ (Norveška, Island i Lihtenštajn)



Ovaj simbol pokazuje da se ovaj proizvod ne smije odlagati s kućnim otpadom sukladno WEEE Direktivi (2012/19/EC) i vašem nacionalnom zakonu. Ovaj proizvod je potrebno predati na posebno mjesto za sakupljanje otpada, npr. na ovlašteno mjesto gdje možete zamijeniti staro za novo ukoliko kupujete novi sličan proizvod ili na ovlašteno mjesto za sakupljanje rabljene električne i elektroničke opreme (EEE) za recikliranje. Nepropropisno rukovanje ovom vrstom otpada može imati negativan učinak na okolinu i zdravlje ljudi zbog supstanci koje su potencijalno opasne za zdravlje, a općenito se povezuju s EEE. Istovremeno, vaša će suradnja kroz propisno odlaganje ovog proizvoda doprinijeti efektivnoj uporabi prirodnih resursa. Za više informacija o tome gdje možete odložiti svoj otpad za recikliranje obratite se vašem lokalnom gradskom uredu, komunalnoj službi, odobrenom WEEE programu ili službi za odlaganje kućnog otpada. Ostale informacije o vraćanju i recikliranju WEEE proizvoda potražite na www.canon-europe.com/weee.

Korisnici u Srbiji



Ovaj simbol označava da ovaj proizvod ne sme da se odlaže sa ostalim kućnim otpadom, u skladu sa WEEE Direktivom (2012/19/EU) i nacionalnim zakonima. Ovaj proizvod treba predati određenom centru za prikupljanje, npr. na osnovi "jedan-za-jedan" kada kupujete sličan novi proizvod, ili ovlašćenom centru za prikupljanje za reciklažu istrošene električne i elektronske opreme (EEE). Nepravilno rukovanje ovom vrstom otpada može da ima moguće negativne posledice po životnu sredinu i ljudsko zdravlje usled potencijalno opasnih materijala koji se uglavnom vezuju za EEE. U isto vreme, vaša saradnja na ispravnom odlaganju ovog proizvoda će doprineti efikasnom korišćenju prirodnih resursa. Za više informacija o tome gde možete da predate vašu staru opremu radi recikliranja, vas molimo, da kontaktirate lokalne gradske vlasti, komunalne službe, odobreni plan reciklaže ili Gradsku čistoću. Za više informacija o vraćanju i recikliranju WEEE proizvoda, posetite stranicu www.canon-europe.com/weee.

Precauciones de manejo

- ▶ **Cancelación de trabajos de impresión**
- ▶ **Restricciones legales sobre impresión**
- ▶ **Precauciones de manejo de la impresora**
- ▶ **Transporte de la impresora**
- ▶ **Reparación, préstamo o desecho de una impresora**
- ▶ **Mantener una alta calidad de impresión**

Restricciones legales sobre impresión

El escaneado o la modificación de copias de la siguiente información puede estar castigado por la ley.

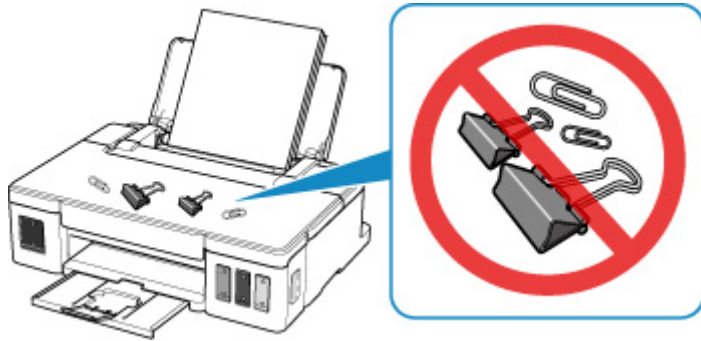
Esta lista no es exhaustiva. En caso de duda, consulte a un representante legal local.

- Papel moneda
- Transferencias monetarias
- Certificados de depósito
- Sellos postales (matasellados o no)
- Placas o insignias de identificación
- Documentos de servicio selectivo u órdenes de pago
- Cheques o letras de cambio emitidas por organismos gubernamentales
- Licencias de vehículos de motor y certificados de titularidad
- Cheques de viaje
- Cupones de alimentos
- Pasaportes
- Documentos de inmigración
- Sellos de ingresos fiscales (matasellados o no)
- Bonos u otros certificados de endeudamiento
- Certificados bursátiles
- Trabajos u obras de arte protegidos por derechos de la propiedad intelectual sin el consentimiento del propietario del copyright

Precauciones de manejo de la impresora

¡No coloque ningún objeto sobre la cubierta superior!

No coloque ningún objeto sobre la cubierta superior. Podría caer dentro de la bandeja posterior al abrir la cubierta superior y provocar un mal funcionamiento de la impresora. Tampoco coloque la impresora en un lugar en el que puedan caerle objetos encima.

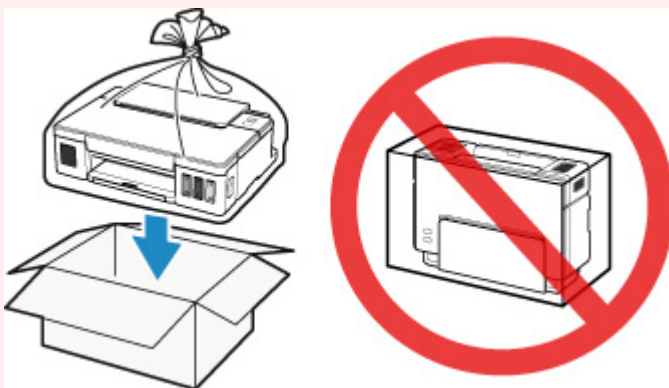


Transporte de la impresora

Cuando vaya a transportar la impresora, asegúrese de lo siguiente.

►►► Importante

- No puede extraer tinta del depósito de tinta.
- Compruebe que la tapa del depósito se ha insertado por completo. Si la cubierta del depósito de tinta no se ha cerrado por completo, inserte la tapa del depósito correctamente.
- Con el cartucho de la izquierda instalado en la impresora, pulse el botón **ACTIVADO (ON)** para apagarla. De este modo, la impresora tapaná automáticamente el cabezal de impresión y evitará que se seque.
- No extraiga el cartucho. de lo contrario, es posible que la tinta se derrame.
- Cuando se transporte la impresora, empaquete la impresora en una bolsa de plástico para que la tinta no se derrame.
- Embale la impresora en una caja resistente y de modo que no quede boca abajo. Utilice suficiente material de protección para garantizar un transporte seguro.
- No incline la impresora. de lo contrario, es posible que la tinta se derrame.
- Cuando se ocupe del transporte de la impresora una empresa de mensajería, marque la caja con "ESTE LADO ARRIBA" para mantener la impresora con la parte inferior abajo. Márquela también con "FRÁGIL" o "MANEJAR CON CUIDADO".



- Manipule con cuidado y asegúrese de que la caja permanece en una superficie plana y que NO se coloca boca abajo o de lado, ya que la impresora podría dañarse y la tinta de la impresora, derramarse.

1. Asegúrese de que la alimentación esté encendida.
2. Mantenga pulsado el botón **REANUDAR/CANCELAR (RESUME/CANCEL)** y suéltelo cuando la luz de **Alarma (Alarm)** parpadee 8 veces.
Se ejecuta la preparación para el transporte y la impresora se apaga cuando finaliza dicha preparación.
No lleve a cabo ninguna otra operación hasta que la impresora haya finalizado el proceso de preparación.
3. Confirme que la luz de **ACTIVADO (ON)** está apagada y [desenchufe el cable de alimentación](#).

»» Importante

- No desenchufe la impresora mientras la luz de **ACTIVADO (ON)** está iluminada o parpadeando, puesto que podría producirse un mal funcionamiento o daños en la impresora, con lo que la impresora no podría imprimir.

4. Recoja la bandeja de salida del papel y la extensión de la bandeja de salida y, a continuación, cierre el soporte del papel.
5. Desenchufe el cable de impresora que conecta el ordenador y la impresora y, a continuación, el cable de alimentación eléctrica de la impresora.
6. Utilice cinta adhesiva para sujetar todas las cubiertas de la impresora y evitar que se abran durante el transporte. Después, introduzca la impresora en la bolsa de plástico.
7. Coloque material de protección a ambos lados de la impresora cuando introduzca la impresora en la caja.

Reparación, préstamo o desecho de una impresora

Si ha introducido datos personales, contraseñas y/u otros ajustes de seguridad en la impresora, tenga en cuenta que esta información puede haberse almacenado en la impresora.

Si envía la impresora para su reparación, la presta o transfiere a otra persona, o la desecha, asegúrese de seguir estos pasos para eliminar información como la mencionada anteriormente y evitar así que otros puedan acceder a ella.

1. Mantenga pulsado el botón **REANUDAR/CANCELAR (RESUME/CANCEL)** y suéltelo cuando la luz de **Alarma (Alarm)** parpadee 15 veces.

Se inicializa toda la configuración de la impresora.

Mantener una alta calidad de impresión

La clave para imprimir con una calidad de impresión óptima es evitar que el cabezal de impresión se seque o atasque. Cumpla las reglas que se presentan a continuación para obtener una calidad de impresión óptima.

»» Nota

- En función del tipo de papel, es posible que la tinta se difumine si pasa un marcador o una barra correctora por encima de las partes impresas o que la tinta se derrame si las partes impresas se manchan con agua o sudor.

¡No desenchufe el cable de alimentación hasta que se haya apagado la luz de alimentación!

Si pulsa el botón de **ACTIVADO (ON)** para desconectar la alimentación, la impresora tapa automáticamente el cabezal de impresión (inyectores) para impedir que se seque. Si desenchufa el cable de alimentación de la toma de pared antes de que la lámpara de **ACTIVADO (ON)** se apague, el cabezal de impresión no se tapaná correctamente, por lo que se secará o atascará.

Cuando realice la acción [Desconexión de la impresora](#), asegúrese de que la lámpara de **ACTIVADO (ON)** no esté encendida.

¡Imprima periódicamente!

Al igual que se seca la punta de un rotulador si no se utiliza durante un periodo de tiempo prolongado y queda inservible, aunque esté cerrado, el cabezal de impresión también se puede secar u obstruir si la impresora no se usa durante mucho tiempo. Se recomienda utilizar la impresora al menos una vez al mes.

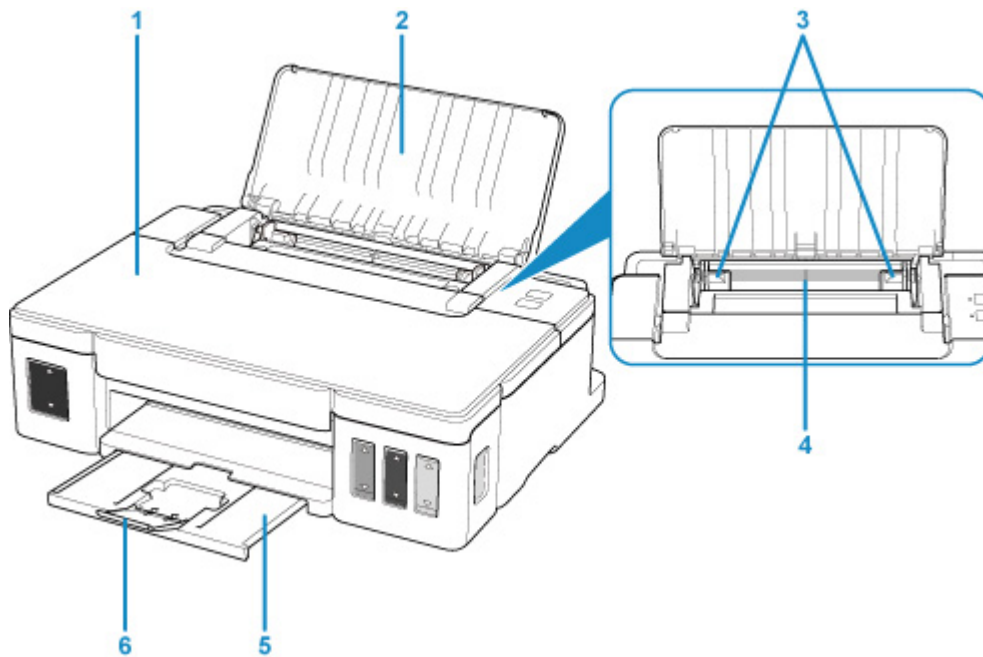
Componentes principales y su funcionamiento

- ▶ Componentes principales
- ▶ Fuente de alimentación

Componentes principales

- ▶ Vista frontal
- ▶ Vista posterior
- ▶ Vista interior

Vista frontal



(1) cubierta superior

Ábrala para rellenar los depósitos de tinta o extraer el papel atascado en la impresora.

(2) soporte del papel

Ábralo para cargar papel en la bandeja posterior.

(3) guías del papel

Alinéelas con ambas caras de la pila de papel.

(4) bandeja posterior

Cargue el papel aquí. Es posible cargar simultáneamente dos o más hojas del mismo tamaño y tipo de papel, que se alimentarán de una a una.

■ [Carga de papel normal/fotográfico](#)

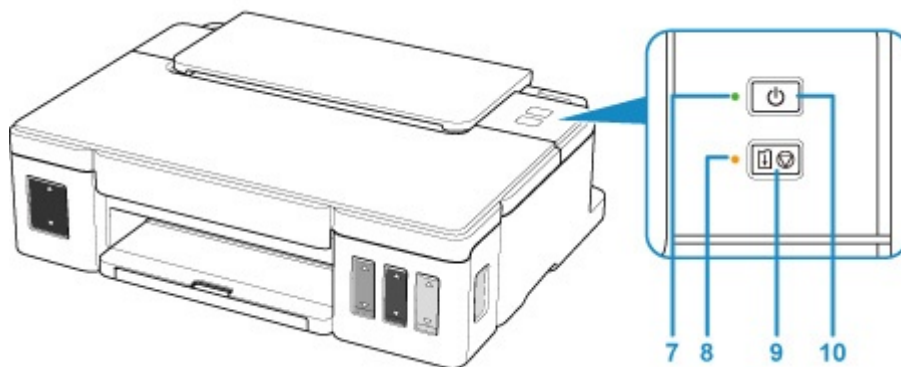
■ [Carga de sobres](#)

(5) bandeja de salida del papel

El papel impreso se expulsa por aquí. Sáquela antes de imprimir.

(6) extensión de la bandeja de salida

Se despliega para recoger el papel impreso. Despléguela al imprimir.



* En la figura se muestran todas las luces encendidas para las explicaciones.

(7) Luz de ACTIVADO (ON)

Al conectar la corriente, se ilumina después de parpadear.

(8) Lámpara de Alarma (Alarm)

Cuando se produce un error, se enciende o parpadea.

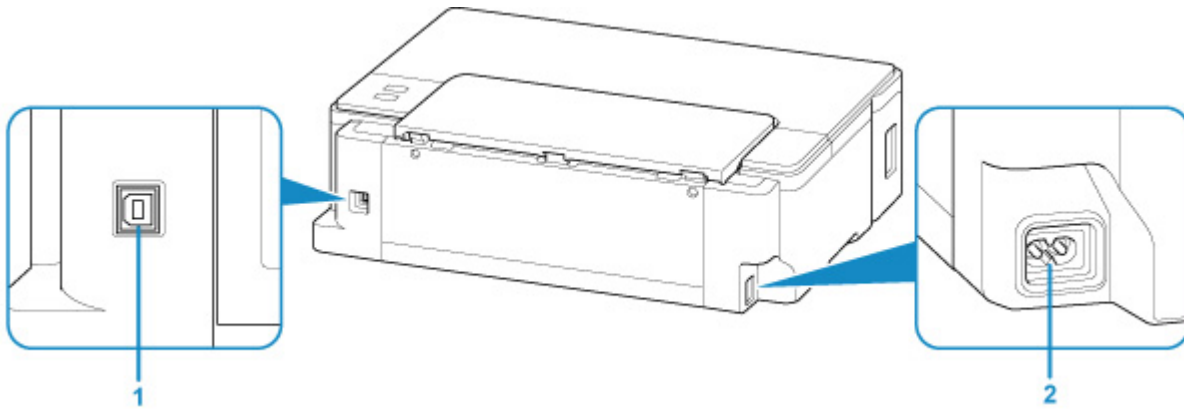
(9) Botón de REANUDAR/CANCELAR (RESUME/CANCEL)

Permite cancelar un trabajo de impresión en curso. Se puede pulsar este botón para salir del estado de error de la impresora y reanudar la impresión cuando se haya resuelto el problema.

(10) Botón ACTIVADO (ON)

Permite conectar o desconectar la alimentación.

Vista posterior



(1) puerto USB

Introduzca aquí el cable USB para conectar la impresora a un ordenador.

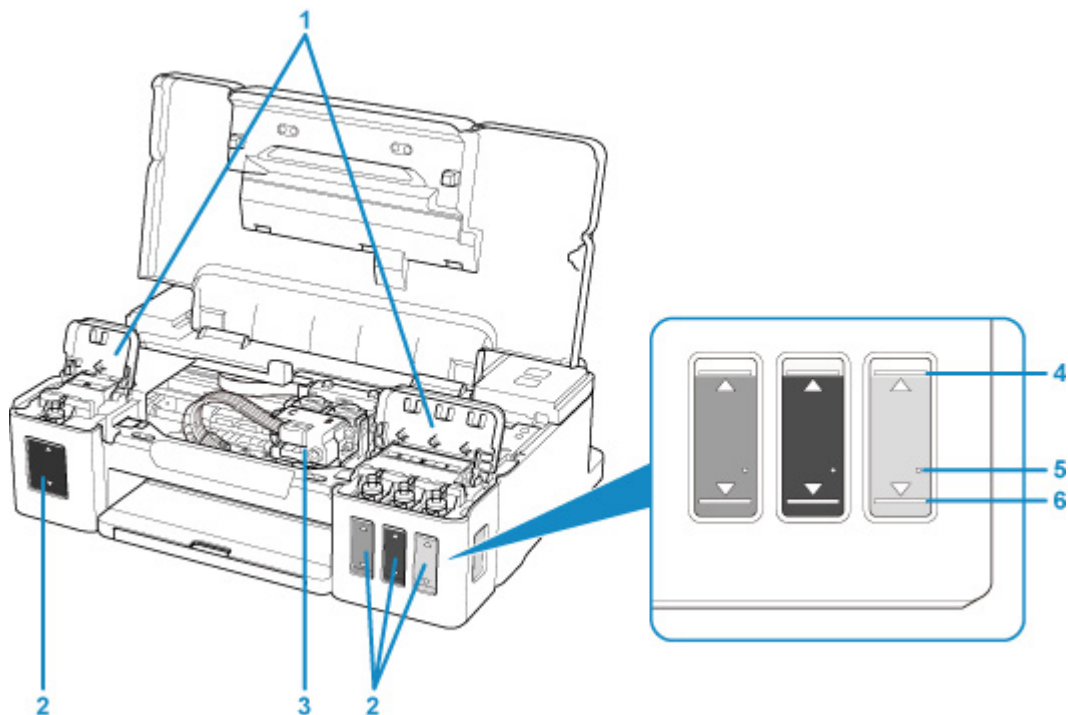
(2) conector del cable de alimentación

Conecte aquí el cable de alimentación eléctrica que se proporciona.

»» Importante

- No toque la cubierta metálica. Podría provocar problemas.
- No conecte ni desconecte el cable USB mientras la impresora esté imprimiendo con el ordenador. Podría provocar problemas.

Vista interior



(1) cubiertas de los depósitos de tinta

Ábrala para rellenar los depósitos de tinta.

(2) depósitos de tinta

El depósito de tinta negra se encuentra a la izquierda y el depósito de tinta de color (cian, magenta y amarillo), a la derecha.

Si existen niveles bajos de tinta, rellene los depósitos afectados.

(3) soporte de cartucho

Instale aquí el cartucho.

»» Nota

- Para obtener información sobre cómo rellenar los depósitos de tinta, consulte [Cómo rellenar depósitos de tinta](#).

(4) Línea de límite superior

Indica la máxima capacidad de tinta.

(5) Punto

Indica la cantidad de tinta necesaria para realizar el vaciado del sistema.

(6) Línea de límite inferior

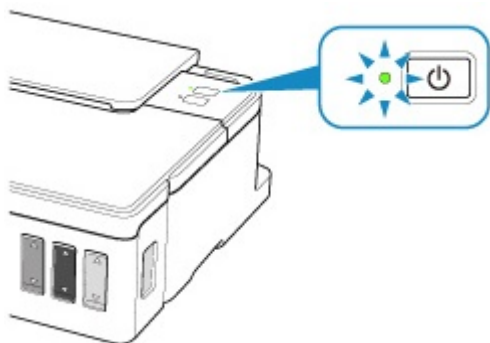
Indica el límite inferior de la cantidad de tinta suficiente para imprimir. Rellene el depósito de tinta antes de que la cantidad de tinta esté por debajo de esta línea.

Fuente de alimentación

- ▶ **Comprobación de que el equipo está encendido**
- ▶ **Encendido y apagado de la impresora**
- ▶ **Comprobación del enchufe o el cable de alimentación**
- ▶ **Desconexión de la impresora**

Comprobación de que el equipo está encendido

Se encenderá la luz de **ACTIVADO (ON)** cuando la impresora esté encendida.



»»» Nota

- Puede pasar cierto tiempo hasta que la impresora empiece a imprimir inmediatamente después de encender la impresora.

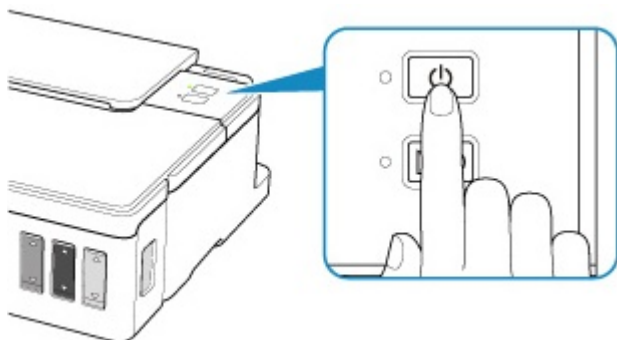
Encendido y apagado de la impresora

Encendido de la impresora

1. Pulse el botón **ACTIVADO (ON)** para encender la impresora.

La luz de **ACTIVADO (ON)** parpadea y, a continuación, se queda iluminada.

- [Comprobación de que el equipo está encendido](#)



»» Nota

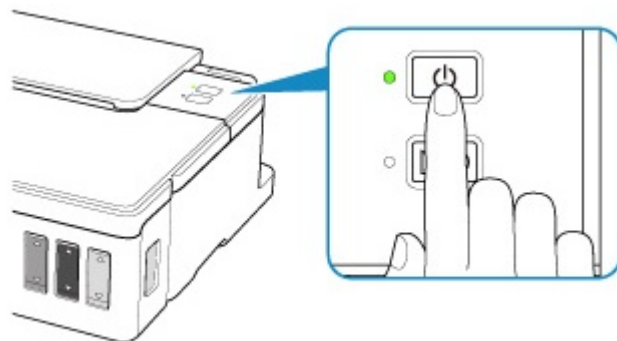
- Puede pasar cierto tiempo hasta que la impresora empiece a imprimir inmediatamente después de encender la impresora.
- Si la luz de **Alarma (Alarm)** parpadea, consulte [Se produce un error](#).
- Se puede establecer que la impresora se encienda automáticamente cuando se realiza alguna operación de impresión o de escaneado desde un ordenador. Esta característica está desactivada de manera predeterminada. Para obtener más información sobre la función de encendido automático, consulte la información siguiente.

- [Gestión del encendido de la Impresora](#)

Apagado de la impresora

1. Pulse el botón **ACTIVADO (ON)** para apagar la impresora.

Cuando la luz de **ACTIVADO (ON)** deja de parpadear, significa que la impresora está apagada.



»» Importante

- Cuando [desconecte el cable de alimentación](#) tras apagar la impresora, asegúrese de que la luz de **ACTIVADO (ON)** está apagada.

»» Nota

- Se puede establecer que la impresora se apague automáticamente cuando no se realiza ninguna operación ni se envían trabajos de impresión la impresora durante un intervalo determinado. Es el ajuste predeterminado. Para obtener más información sobre la función de apagado automático, consulte la información siguiente.

■ [Gestión del encendido de la Impresora](#)

Comprobación del enchufe o el cable de alimentación

Desenchufe el cable de alimentación una vez al mes para confirmar que el enchufe o el cable de alimentación no experimentan ninguna de las situaciones inusuales descritas a continuación.

- El enchufe o el cable de alimentación están calientes.
- El enchufe o el cable de alimentación están oxidados.
- El enchufe o el cable de alimentación están doblados.
- El enchufe o el cable de alimentación están desgastados.
- El enchufe o el cable de alimentación están rotos.

Precaución

- Si detecta alguna situación inusual con el enchufe o el cable de alimentación, como las que se describen anteriormente, [Desconexión de la impresora](#) y póngase en contacto con el servicio técnico. Si se usa la impresora en una de las situaciones inusuales anteriores, se puede producir un incendio o una descarga eléctrica.

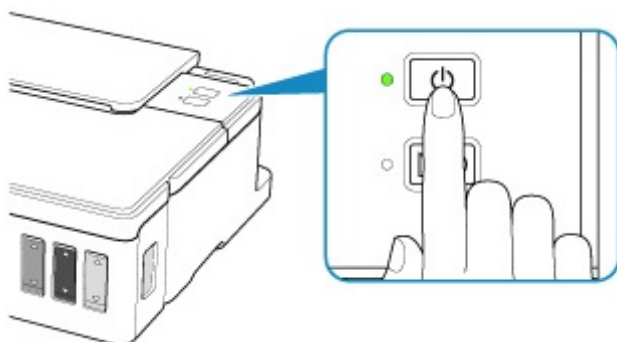
Desconexión de la impresora

Utilice el procedimiento siguiente para desconectar el cable de alimentación.

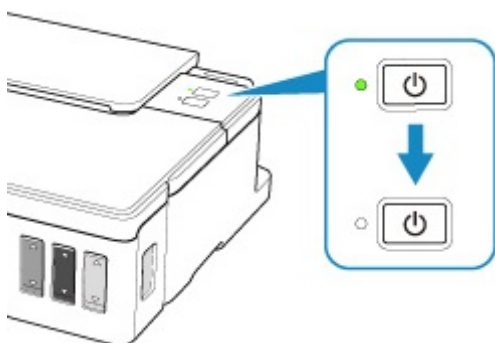
►►► Importante

- A la hora de desenchufar el cable de alimentación, pulse el botón **ACTIVADO (ON)** y compruebe que la luz **ACTIVADO (ON)** está apagada. Si se desconecta el cable de alimentación mientras la luz de **ACTIVADO (ON)** está encendida o intermitente, el cabezal de impresión puede secarse o atascarse, y la calidad de impresión puede ser menor.

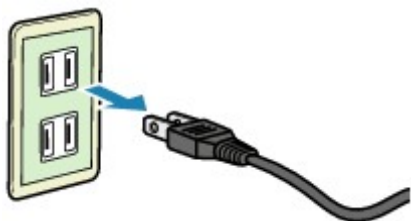
1. Pulse el botón **ACTIVADO (ON)** para apagar la impresora.



2. Compruebe que la luz de **ACTIVADO (ON)** está apagada.



3. Desenchufe el cable de alimentación.



Las especificaciones del cable de alimentación varían según el país o la región de uso.

Cambio de la configuración

- **Cambio de la configuración de la Impresora desde el ordenador (Windows)**
- **Cambio de la configuración desde el panel de control**

Cambio de la configuración de la impresora desde el ordenador (Windows)

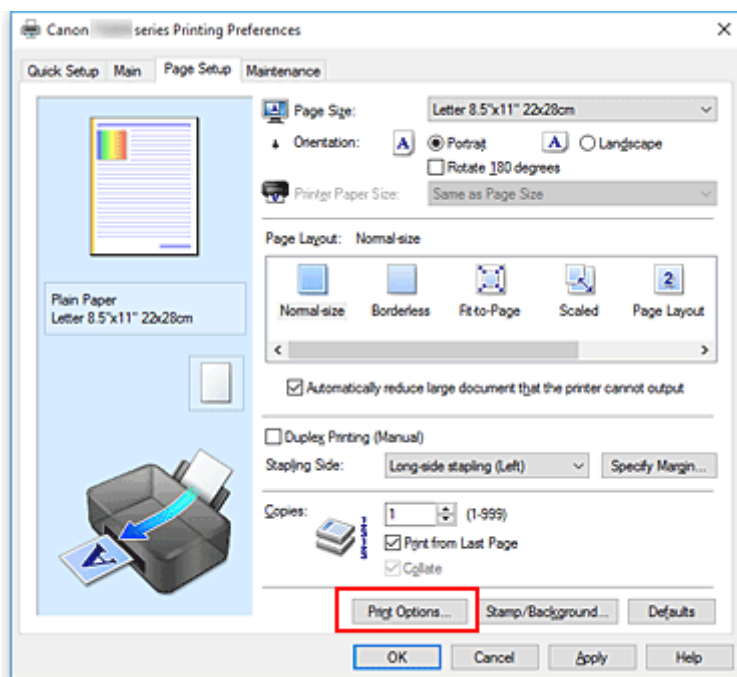
- **Cambio de las opciones de impresión**
- **Registro de un perfil de impresión utilizado con frecuencia**
- **Establecimiento del depósito de tinta que se va a utilizar**
- **Gestión del encendido de la Impresora**
- **Cambio del modo de funcionamiento de la Impresora**

Cambio de las opciones de impresión

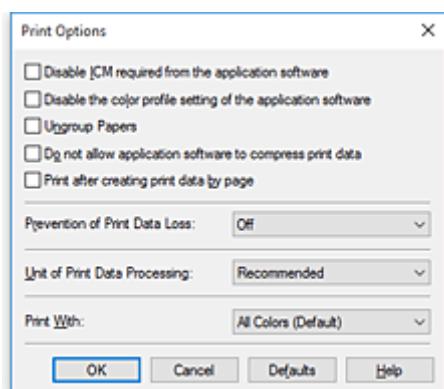
Se puede cambiar la configuración detallada del controlador de impresora para los datos de impresión enviados desde un software de aplicación.

Especifique esta opción si se encuentra con errores de impresión como que parte de los datos de una imagen aparezcan cortados.

1. Abra la [ventana de configuración del controlador de impresora](#)
2. Haga clic en **Opciones de impresión... (Print Options...)** en la ficha **Configurar página (Page Setup)**



Se abre el cuadro de diálogo **Opciones de impresión (Print Options)**.



3. Cambie la configuración individual

Si es necesario, modifique la configuración de cada elemento y, a continuación, haga clic en **Aceptar (OK)**.

Aparecerá de nuevo la ficha **Configurar página (Page Setup)**.

Registro de un perfil de impresión utilizado con frecuencia

Puede registrar un perfil de impresión que utilice con frecuencia en **Configuraciones más utilizadas (Commonly Used Settings)** de la ficha **Configuración rápida (Quick Setup)**. En cualquier momento se pueden borrar los perfiles de impresión innecesarios.

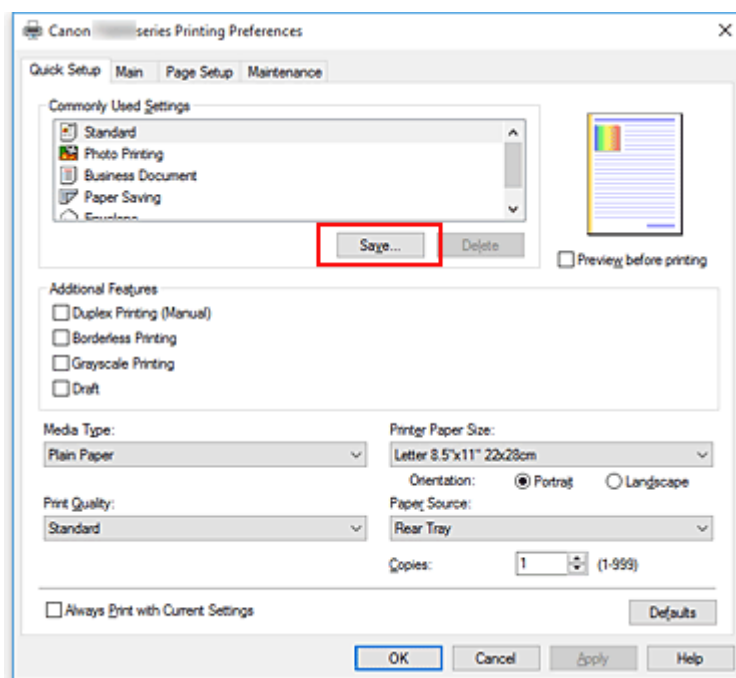
Registro de un perfil de impresión

1. Abra la [ventana de configuración del controlador de impresora](#)
2. Establezca los elementos necesarios

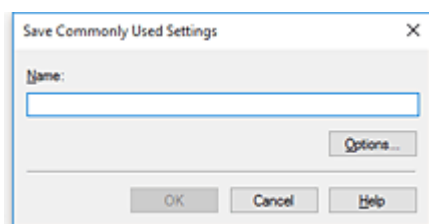
En **Configuraciones más utilizadas (Commonly Used Settings)** de la ficha **Configuración rápida (Quick Setup)**, seleccione el perfil de impresión que desee utilizar y, en caso necesario, modifique la configuración de **Funciones adicionales (Additional Features)**.

También puede registrar los elementos necesarios en las fichas **Principal (Main)** y **Configurar página (Page Setup)**.

3. Haga clic en **Guardar... (Save...)**



Se abrirá el cuadro de diálogo **Guardar configuraciones más utilizadas (Save Commonly Used Settings)**.



4. Guarde la configuración

Introduzca un nombre en el campo **Nombre (Name)**. En caso necesario, haga clic en **Opciones... (Options...)**, establezca los elementos y haga clic en **Aceptar (OK)**.

En el cuadro de diálogo **Guardar configuraciones más utilizadas (Save Commonly Used Settings)** haga clic en **Aceptar (OK)** para guardar la configuración de impresión y vuelva a la ficha **Configuración rápida (Quick Setup)**.

El nombre y el icono aparecen en **Configuraciones más utilizadas (Commonly Used Settings)**.

»» Importante

- Para guardar el tamaño de página, la orientación y el número de copias establecidos en cada hoja, haga clic en **Opciones... (Options...)** y compruebe cada elemento.

»» Nota

- Cuando instale de nuevo el controlador de impresora o actualice su versión, la configuración de impresión ya registrada se eliminará de **Configuraciones más utilizadas (Commonly Used Settings)**.

La configuración de impresión registrada no se puede guardar ni conservar. Si se elimina un perfil, vuelva a registrar la configuración de impresión.

Eliminación de perfiles de impresión innecesarios

1. Seleccione el perfil de impresión que se va a eliminar

Elija el perfil de impresión que desee eliminar en la lista **Configuraciones más utilizadas (Commonly Used Settings)** de la ficha **Configuración rápida (Quick Setup)**.

2. Elimine el perfil de impresión

Haga clic en **Eliminar (Delete)**. Cuando aparezca el mensaje de confirmación, haga clic en **Aceptar (OK)**.

El perfil de impresión seleccionado se eliminará de la lista **Configuraciones más utilizadas (Commonly Used Settings)**.

»» Nota

- No se puede borrar los perfiles de impresión registrados en la configuración inicial.

Establecimiento del depósito de tinta que se va a utilizar

Esta función permite especificar el depósito de tinta más adecuado de entre los depósitos de tinta instalados para el uso que se pretende.

1. Abra la [ventana de configuración del controlador de impresora](#)
2. Haga clic en **Opciones de impresión... (Print Options...)** en la ficha **Configurar página (Page Setup)**
Aparecerá el cuadro de diálogo **Opciones de impresión (Print Options)**.
3. Seleccione el depósito de tinta que se va a utilizar desde **Imprimir con (Print With)**
Elija el depósito de tinta que desee utilizar para imprimir y haga clic en **Aceptar (OK)**.
Cuando realice una impresión, se utilizará el depósito de tinta especificado.

»» Importante

- Si se especifica la configuración siguiente, **Sólo tinta negra (Black Only)** no funciona porque la impresora utiliza un depósito de tinta distinto de negro para imprimir documentos.
 - Al seleccionar cualquier opción distinta de **Papel normal (Plain Paper)**, **Sobre (Envelope)**, **Ink Jet Hagaki (A)**, **Hagaki K (A)**, **Hagaki (A)** o **Hagaki** en **Tipo de soporte (Media Type)** de la ficha **Principal (Main)**
 - Al seleccionar **Sin bordes (Borderless)** en la lista **Formato de página (Page Layout)** de la ficha **Configurar página (Page Setup)**
- No extraiga el depósito de tinta que no se utilice. La impresión no se puede ejecutar cuando falta algún depósito de tinta.

Gestión del encendido de la Impresora

Esta función permite gestionar la alimentación de la impresora desde la Canon IJ Printer Assistant Tool.



Apagar la impresora (Power Off)

La función **Apagar la impresora (Power Off)** permite apagar la impresora. Si la utiliza, no podrá encender la impresora desde la Canon IJ Printer Assistant Tool.

1. Abra Canon IJ Printer Assistant Tool

2. Ejecute la función de apagado

Haga clic en **Apagar la impresora (Power Off)**. Cuando aparezca el mensaje de confirmación, haga clic en **Aceptar (OK)**.

La alimentación de la impresora se apagará.



Encendido automático (Auto Power)

El **Encendido automático (Auto Power)** le permite establecer el **Encendido automático (Auto Power On)** y el **Apagado automático (Auto Power Off)**.

La función **Encendido automático (Auto Power On)** enciende automáticamente la impresora cuando se reciben datos.

La función **Apagado automático (Auto Power Off)** apaga automáticamente la impresora cuando no hay operaciones del controlador de la impresora o de la impresora durante un periodo determinado.

1. Abra la Canon IJ Printer Assistant Tool

2. Asegúrese de que la impresora esté encendida y, a continuación, haga clic en **Encendido automático (Auto Power)**

Se abrirá el cuadro de diálogo **Configuración de encendido automático (Auto Power Settings)**.

»» Nota

- Si la impresora está apagada o si la comunicación entre la impresora y el ordenador está desactivada, quizás aparezca un mensaje de error indicando que el ordenador no puede obtener el estado de la impresora.

Si así ocurre, haga clic en **Aceptar (OK)** para mostrar la configuración más reciente especificada en el ordenador.

3. Si es necesario, realice las siguientes configuraciones:

Encendido automático (Auto Power On)

Al especificar **Activar (Enable)** en la lista, se encenderá la impresora cuando reciba datos de impresión.

Apagado automático (Auto Power Off)

Especifique el tiempo en la lista. Si transcurre ese tiempo sin ninguna operación en el controlador de impresora ni en la impresora, la impresora se apagará automáticamente.

4. Aplique la configuración

Haga clic en **Aceptar (OK)**. Cuando aparezca el mensaje de confirmación, haga clic en **Aceptar (OK)**.

En lo sucesivo, la configuración estará activada. Si desea desactivar esta función, seleccione **Desactivar (Disable)** en la lista siguiendo el mismo procedimiento.

»» Nota

- Cuando la impresora está desactivada, el mensaje del monitor de estado de Canon IJ varía en función de la configuración de **Encendido automático (Auto Power On)**.
Cuando está configurado **Activar (Enable)**, se muestra "La impresora se encuentra en espera".
Cuando está configurado **Desactivar (Disable)**, se muestra "La impresora está desactivada".

Cambio del modo de funcionamiento de la Impresora

En caso necesario, cambie entre los distintos modos de funcionamiento de la impresora.



Configuración personalizada (Custom Settings)

1. Abra la Canon IJ Printer Assistant Tool
2. Asegúrese de que la impresora esté encendida y, a continuación, haga clic en **Configuración personalizada (Custom Settings)**.

Se abrirá el cuadro de diálogo **Configuración personalizada (Custom Settings)**.

»»» Nota

- Si la impresora está apagada o si la comunicación entre la impresora y el ordenador está desactivada, quizás aparezca un mensaje de error indicando que el ordenador no puede obtener el estado de la impresora.
Si así ocurre, haga clic en **Aceptar (OK)** para mostrar la configuración más reciente especificada en el ordenador.

3. Si es necesario, realice las siguientes configuraciones:

Evitar abrasión del papel (Prevent paper abrasion)

Durante la impresión de alta densidad, la impresora puede aumentar la distancia entre el cabezal de impresión y el papel para evitar la abrasión de éste.

Marque esta casilla de verificación para evitar la abrasión del papel.

Girar 90 grados a la izquierda si la orientación es [Horizontal] (Rotate 90 degrees left when orientation is [Landscape])

En la ficha **Configurar página (Page Setup)** se puede cambiar la dirección de rotación en **Horizontal (Landscape)** de la **Orientación (Orientation)**.

Para girar los datos impresos 90 grados a la izquierda durante la impresión, seleccione esta opción. Para girar los datos impresos 90 grados a la derecha durante la impresión, no seleccione esta opción.

»»» Importante

- No cambie esta configuración mientras el trabajo de impresión aparece en la lista de espera de impresión. De lo contrario, podrían omitirse caracteres o corromperse el formato.

Tiempo de secado (Ink Drying Wait Time)

Puede definir el tiempo durante el cual la impresora va a estar parada hasta comenzar la impresión de la página siguiente. Al desplazar el control deslizante hacia la derecha, se aumenta la duración de la pausa, mientras que al desplazarlo hacia la izquierda, se disminuye.

Si una página impresa se mancha porque la siguiente se expulsa antes de que la tinta se haya secado, se recomienda aumentar el tiempo de secado.

Cuanto menor sea el tiempo de secado, con mayor rapidez se imprimirán los documentos.

4. Aplique la configuración

Haga clic en **Aceptar (OK)** y, cuando aparezca el mensaje de confirmación, haga clic en **Aceptar (OK)**.

Tras esto, la impresora funcionará según la configuración modificada.

Cambio de la configuración desde el panel de control

- ▶ Encendido y apagado automático de la impresora
- ▶ **Iniciar los ajustes de la impresora**
- ▶ **Activación de Notificación de la tinta**

Activación de Notificación de la tinta

Puede definir la función de notificación del nivel de tinta restante.

Siga el procedimiento siguiente para activar la función de notificación del nivel de tinta.

1. Mantenga pulsado el botón **REANUDAR/CANCELAR (RESUME/CANCEL)** y suéltelo cuando la luz de **Alarma (Alarm)** parpadee 9 veces.

Iniciar los ajustes de la impresora

Puede inicializar la configuración de la impresora.

Siga el siguiente procedimiento para iniciar los ajustes de la impresora.

1. [Compruebe que la impresora está encendida.](#)
2. Mantenga pulsado el botón **REANUDAR/CANCELAR (RESUME/CANCEL)** y suéltelo cuando la luz de **Alarma (Alarm)** parpadee 15 veces.

Se inicializa toda la configuración de la impresora.

Después del restablecimiento, vuelva a realizar la configuración según corresponda.

▶▶ Nota

- No se puede restablecer la posición actual del cabezal de impresión a los valores predeterminados.

Especificaciones

Especificaciones generales

Resolución de impresión (ppp)	4800* (horizontal) x 1200 (vertical) * Se pueden colocar gotas de tinta con un tono de 1/4800 pulgadas como mínimo.
Interfaz	Puerto USB: Alta velocidad USB * Se necesita un ordenador que cumpla los estándares de USB de alta velocidad. Como la interfaz USB de alta velocidad es totalmente compatible con USB 1.1, se puede utilizar con USB 1.1.
Anchura de impresión	203,2 mm / 8 pulgadas (para impresión sin bordes: 216 mm / 8,5 pulgadas)
Área imprimible	Impresión sin bordes: Margen superior/inferior/izquierdo/derecho: 0,0 mm (0,0 pulgadas) Impresión estándar: -Margen superior: • 3,0 mm (0,12 pulgadas) -Margen inferior: • 5,0 mm (0,20 pulgadas) -Margen izquierdo: • Carta/legal: 6,4 mm (0,26 pulgadas) • Otros tamaños: 3,4 mm (0,14 pulgadas) -Margen derecho: • Carta/legal: 6,3 mm (0,25 pulgadas) • Otros tamaños: 3,4 mm (0,14 pulgadas)
Entorno de funcionamiento	Temperatura: de 5 a 35 °C (de 41 a 95 °F) Humedad: del 10 al 90 % (humedad relativa sin condensación) * El rendimiento de la impresora puede ser menor en determinadas condiciones de temperatura y humedad. Condiciones recomendadas: Temperatura: de 15 a 30 °C (de 59 a 86 °F) Humedad: del 10 al 80 % RH (sin condensación) * Para obtener información sobre las condiciones de temperatura y humedad de papeles como, por ejemplo, el papel fotográfico, consulte el embalaje del papel o las instrucciones proporcionadas.
Entorno de almacenamiento	Temperatura: de 0 a 40 °C (de 32 a 104 °F) Humedad: del 5 al 95 % RH (sin condensación)
Fuente de alimentación	100-240 V de CA, a 50/60 Hz

	(El cable de alimentación está previsto solo para el país o región que adquirió.)
Consumo de energía	Impresión: 11 W o menos Pausa (mínimo): 0,6 W o menos *1*2 OFF: 0,2 W o menos *1 *1 Conexión USB al PC *2 El tiempo de espera para la pausa no se puede cambiar.
Dimensiones externas	Aprox. 445 (An) x 330 (Pr) x 135 (Al) mm Aprox. 17,6 (An) x 13 (Pr) x 5,4 (Al) pulgadas * Con el soporte del papel y la bandeja de salida del papel cerrada.
Peso	Aprox. 4,8 kg (aprox. 10,5 libras) * Con el cabezal de impresión y los depósitos de tinta instalados.
Cabezal de impresión/Tinta	Total de 1472 inyectores (BK 320 inyectores, C/M/Y cada 384 inyectores)

Requisitos mínimos del sistema

Ajustar a los requisitos del sistema operativo cuando sean superiores a los aquí indicados.

Sistema operativo	Windows 10, Windows 8.1, Windows 7 SP1 Nota: solo se puede garantizar el funcionamiento en un PC con Windows 7 o superior preinstalado. Se requiere .NET Framework 4.5.2 o 4.6.
Espacio en disco duro	3,1 GB Nota: para instalar el software incluido. La cantidad de espacio disponible en el disco duro puede cambiar sin previo aviso.
Pantalla	XGA 1024 x 768

- Esta impresora no se puede utilizar con iOS, Android ni Windows 10 S.
- Se requiere conexión a Internet o una unidad de CD-ROM para instalar el software.
- Se requiere conexión a Internet para utilizar Easy-WebPrint EX y la guía del usuario completa.
- Easy-WebPrint EX: se requiere Internet Explorer 8, 9, 10 y 11* (para Windows).
- Es posible que algunas funciones no estén disponibles con Windows Media Center.

La información incluida en esta guía está sujeta a cambios sin previo aviso.

Información acerca del papel

- ▶ **Tipos de soporte compatibles**
 - Límite de carga de papel
- ▶ **Tipos de soporte no compatibles**
- ▶ **Cómo tratar el papel**
- ▶ **Área de impresión**

Tipos de soporte compatibles

Para obtener los mejores resultados, seleccione un papel diseñado para el modo en el que está imprimiendo. En Canon están disponibles varios tipos de papel adecuados para documentos, así como papel para fotografías o ilustraciones. Utilice papel original de Canon para imprimir fotografías importantes siempre que sea posible.

Tipos de soporte

Papel original de Canon

»» Nota

- Para advertencias sobre el uso de la cara no imprimible, vea la información de uso de cada producto.
- Para obtener información detallada acerca del tamaño de papel y los tipos de soporte, acceda a la página web de Canon.
- El papel original de Canon no está disponible en algunos países o regiones. Tenga en cuenta que, en Estados Unidos, el papel de Canon no se vende por número de modelo. En su lugar, compre el papel por nombre.

Papel para imprimir documentos:

- Canon Red Label Superior <WOP111>
- Canon Océ Office Colour Paper <SAT213>
- Papel de alta resolución <HR-101N>

Papel para imprimir fotos:

- Papel Fotográfico Satinado "Uso Diario" <GP-501>
- Papel Fotográfico Satinado <GP-701>
- Papel Fotográfico Brillo II <PP-201>
- Papel Fotográfico Brillo II <PP-301>
- Fotográfico Pro Brillante <LU-101>
- Papel Fotográfico Plus Semi Brillante <SG-201>
- Papel Fotográfico Mate <MP-101>

Papel que no sea original de Canon

- Papel normal (incluido el papel reciclado)
- Sobres

■ [Límite de carga de papel](#)

Tamaños de página

Puede utilizar los siguientes tamaños de página.

»» Nota

- El tamaño de página y el tipo de soporte compatible con la impresora será diferente según el SO que utilice.

Tamaños estándar:

- Carta
- Legal
- A4
- B5
- A5
- L (89 x 127 mm)
- KG/10 x 15 cm (4 x 6 pulgadas)
- 2L/13 x 18 cm (5 x 7 pulgadas)
- Hagaki
- Hagaki 2
- 20 x 25 cm (8 x 10 pulgadas)
- Cuadrado 127 x 127 mm 5 x 5 pulgadas
- Sobre Com 10
- Sobre DL
- Nagagata 3
- Nagagata 4
- Yougata 4
- Yougata 6

Tamaños especiales:

Los tamaños especiales de página han de estar dentro de los límites siguientes:

- Tamaño mínimo: 55,0 x 89,0 mm (2,17 x 3,51 pulgadas)
- Tamaño máximo: 215,9 x 676,0 mm (8,50 x 26,61 pulgadas)

Peso del papel

Se puede utilizar del siguiente gramaje.

- De 64 a 105 g /m² (17 a 28 libras) (papel normal que no sea original de Canon)

Límite de carga de papel

Papel Canon original

Papel para imprimir documentos:

Nombre del soporte <N.º de modelo>	Bandeja posterior	Bandeja de salida del papel
Canon Red Label Superior <WOP111>	Aprox. 100 hojas	Aprox. 50 hojas
Canon Océ Office Colour Paper <SAT213>	Aprox. 80 hojas	Aprox. 50 hojas
Papel de alta resolución <HR-101N> *1	Aprox. 80 hojas	Aprox. 50 hojas

Papel para imprimir fotos:

Nombre del soporte <N.º de modelo>	Bandeja posterior	Bandeja de salida del papel
Papel Fotográfico Satinado "Uso Diario" <GP-501> *2	A4 y Carta: 10 hojas 10 x 15 cm (4 x 6 pulgadas): 20 hojas	*3
Papel Fotográfico Satinado <GP-701> *2	A4 y Carta: 10 hojas 10 x 15 cm (4 x 6 pulgadas): 20 hojas	*3
Papel Fotográfico Brillo II <PP-201> *2	A4, Carta, 13 x 18 cm (5 x 7 pulgadas), 20 x 25 cm (8 x 10 pulgadas): 10 hojas 10 x 15 cm (4 x 6 pulgadas), cuadrado 127 x 127 mm (5 x 5 pulgadas): 20 hojas	*3
Papel Fotográfico Brillo II <PP-301> *2	A4, Carta, 13 x 18 cm (5 x 7 pulgadas), 20 x 25 cm (8 x 10 pulgadas): 10 hojas 10 x 15 cm (4 x 6 pulgadas), cuadrado 127 x 127 mm (5 x 5 pulgadas): 20 hojas	*3
Fotográfico Pro Brillante <LU-101> *2	A4 y Carta: 10 hojas	*3
Papel Fotográfico Plus Semi Brillante <SG-201> *2	A4, Carta, 13 x 18 cm (5 x 7 pulgadas), 20 x 25 cm (8 x 10 pulgadas): 10 hojas 10 x 15 cm (4 x 6 pulgadas): 20 hojas	*3
Papel Fotográfico Mate <MP-101>	A4 y Carta: 10 hojas 10 x 15 cm (4 x 6 pulgadas): 20 hojas	*3

Papel que no sea original de Canon

Nombre común	Bandeja posterior	Bandeja de salida del papel
--------------	-------------------	-----------------------------

Papel normal (incluido el papel reciclado)* 1	Aprox. 100 hojas (10 hojas: Legal)	Aprox. 50 hojas (10 hojas: Legal)
Sobres	10 sobres	*3

*1 La alimentación normal a la máxima capacidad puede no ser posible con algunos tipos de papel o con humedad o temperaturas muy elevadas o bajas. En este caso, cargue la mitad de papel o menos.

*2 La alimentación desde una pila cargada puede dejar marcas en el lado de impresión o provocar una alimentación ineficiente. En este caso, cargue las hojas de una en una.

*3 Para obtener los mejores resultados de impresión continuada, extraiga el papel impreso de la bandeja de salida del papel para evitar manchas o decoloraciones.

Tipos de soporte no compatibles

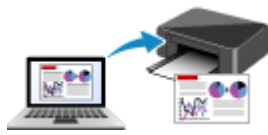
No use los siguientes tipos de papel. Si usa estos tipos de papel, no sólo obtendrá resultados poco satisfactorios, sino que puede provocar un funcionamiento incorrecto o atascar la impresora.

- Papel doblado, ondulado o arrugado
- Papel húmedo
- Papel demasiado fino (con un gramaje inferior a 64 g /m² (17 libras))
- Papel demasiado grueso (papel normal, excepto el papel Canon original, con un gramaje superior a 105 g /m² (28 libras))
- Cuando imprima en papel más pequeño que A5, no use papel con un grosor inferior al de una postal, ni corte el papel normal o de cuaderno a un tamaño inferior
- Postales con imágenes
- Postales
- Sobres con doble solapa
- Sobres con superficies gofradas o tratadas
- Sobres con solapas engomadas listas para adherirse y autoadhesivas
- Cualquier tipo de papel perforado
- Papel que no sea rectangular
- Papel unido con grapas o pegamento
- Papel con superficie adhesiva en la parte posterior como el sellado de la etiqueta
- Papel decorado con purpurina, etc.

Cómo tratar el papel

- Tenga cuidado de no rayar ni arañar la superficie de cualquier tipo de papel al manipularlo.
- Sujete el papel tan por los bordes como le sea posible e intente no tocar la superficie de impresión. La calidad de impresión puede deteriorarse si la superficie de impresión se mancha con sudor o grasa de las manos.
- No toque la superficie impresa hasta que la tinta se seque. Incluso cuando ya esté seca la tinta, tenga cuidado para no tocar en la medida de lo posible la superficie impresa al manipularlo. Por la naturaleza de la tinta a base de pigmentos, cuando se frota o rasca la superficie impresa la tinta puede quitarse.
- Saque del paquete sólo el número de hojas de papel necesario justo antes de imprimir.
- Para evitar que el papel se curve, cuando no realice impresiones, vuelva a colocar en el paquete el papel que no se utilizó y manténgalo en una superficie nivelada. Asimismo, guárdelo evitando las altas temperaturas, humedad y la luz solar directa.

Impresión



Impresión desde un ordenador

Impresión desde un ordenador

- ▶ **Impresión desde el software de la aplicación (controlador de la impresora de Windows)**
- ▶ **Impresión mediante el software de la aplicación Canon**

Impresión desde el software de la aplicación (controlador de la impresora de Windows)

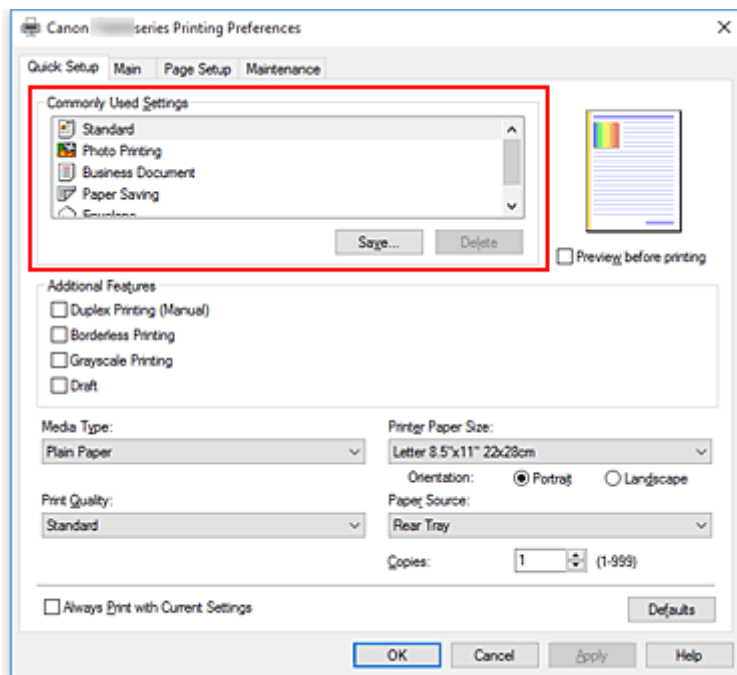
- **Configuración de la impresión básica** 📌 **Básica**
- **Métodos de impresión**
- **Cambio de la calidad de impresión y corrección de los datos de imagen**
- **Descripción del controlador de impresora**
- **Descripción de controlador de impresora**
- **Actualización del controlador de impresora**

Configuración de la impresión básica

En esta sección, se describe la configuración de la [pestaña Configuración rápida](#), que se utiliza para la impresión básica.

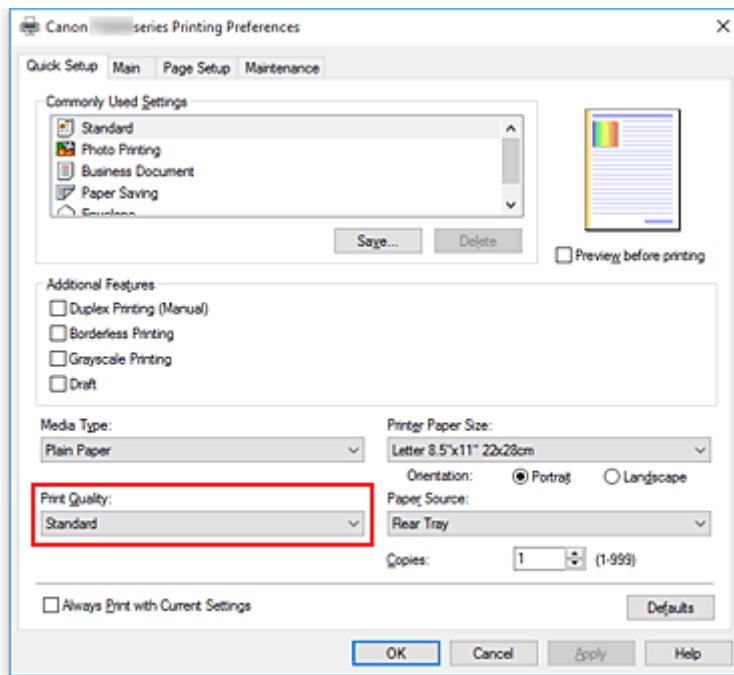
1. [Compruebe que la impresora está encendida](#)
2. [Cargue papel](#) en la impresora
3. Abra la [pantalla de configuración del controlador de impresora](#)
4. Seleccione las configuraciones utilizadas con más frecuencia

En la pestaña **Configuración rápida (Quick Setup)**, utilice **Configuraciones más utilizadas (Commonly Used Settings)** para seleccionar una de las configuraciones de impresión predefinidas. Cuando se selecciona una configuración de impresión, la configuración de **Funciones adicionales (Additional Features)**, **Tipo de soporte (Media Type)** y **Tamaño del papel de la impresora (Printer Paper Size)** cambia automáticamente a los valores predefinidos.



5. Seleccione la calidad de impresión

Para **Calidad de impresión (Print Quality)**, seleccione **Alta (High)**, **Estándar (Standard)** o **Borrador (Draft)**.

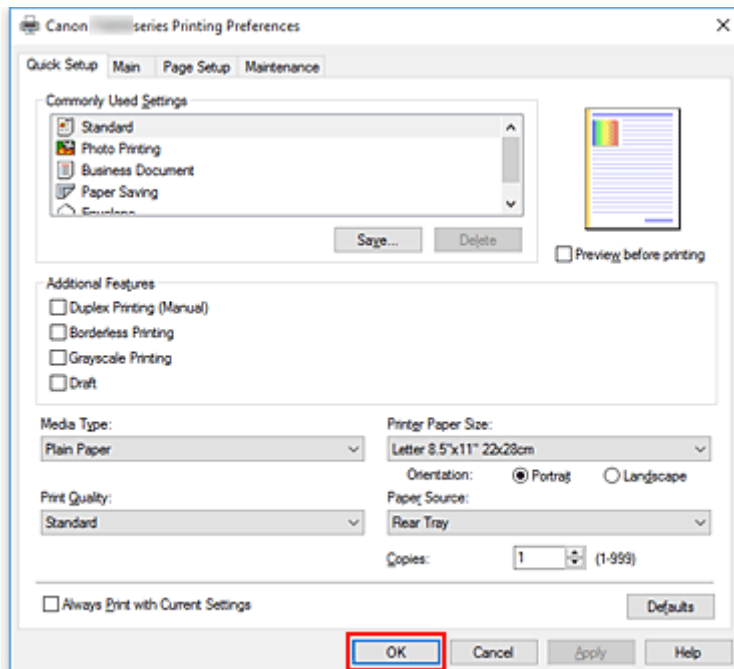


►►► Importante

- Las selecciones de calidad de la impresión variarán dependiendo de la configuración de impresión que seleccione.

6. Haga clic en **Aceptar (OK)**

La impresora imprimirá ahora con esta configuración.



»» Importante

- Si selecciona **Imprimir siempre con la configuración actual (Always Print with Current Settings)**, se guarda la configuración de las pestañas **Configuración rápida (Quick Setup)**, **Principal (Main)** y **Configurar página (Page Setup)**. Esa configuración se usará las siguientes veces que imprima.
- Para [registrar la configuración actual](#) como una nueva configuración predefinida, haga clic en **Guardar... (Save...)** en **Configuraciones más utilizadas (Commonly Used Settings)**.

Configuración del papel en el controlador de impresora

Cuando utilice esta impresora, seleccione un tipo de soporte que coincida con la finalidad de la impresión, de esta forma podrá obtener los mejores resultados de impresión.

Con esta impresora puede utilizar los siguientes tipos de soporte.

Papeles originales de Canon (Impresión de documentos)

Nombre del soporte <N.º de modelo>	Tipo de soporte (Media Type) en el controlador de la impresora
Canon Red Label Superior <WOP111>	Papel normal (Plain Paper)
Canon Océ Office Colour Paper <SAT213>	Papel normal (Plain Paper)

Papeles originales de Canon (Impresión de fotografías)

Nombre del soporte <N.º de modelo>	Tipo de soporte (Media Type) en el controlador de la impresora
Papel Fotográfico Brillo II <PP-201/PP-301>	Papel Fotográfico Brillo II (Photo Paper Plus Glossy II)
Fotográfico Pro Brillante <LU-101>	Fotográfico Pro Brillante (Photo Paper Pro Luster)
Papel Fotográfico Plus Semi Brillante <SG-201>	Papel Fotog. Plus Semi Brillante (Photo Paper Plus Semi-gloss)
Papel Fotográfico Satinado "Uso Diario" <GP-501>	Papel Fotográfico Satinado (Glossy Photo Paper)
Papel Fotográfico Satinado <GP-701>	Papel Fotográfico Satinado (Glossy Photo Paper)
Papel Fotográfico Mate <MP-101>	Papel Fotográfico Mate (Matte Photo Paper)

Papeles originales de Canon (Impresión de cartas profesionales)

Nombre del soporte <N.º de modelo>	Tipo de soporte (Media Type) en el controlador de la impresora
Papel de alta resolución <HR-101N>	Papel de alta resolución (High Resolution Paper)

Papeles disponibles a la venta

Nombre del soporte	Tipo de soporte (Media Type) en el controlador de la impresora
Papel normal (incluido el papel reciclado)	Papel normal (Plain Paper)
Sobres	Sobre (Envelope)

Métodos de impresión

- ▶ **Configuración de la Orientación y del Tamaño de página**
- ▶ **Configuración del número de copias y del orden de impresión**
- ▶ **Ejecución de la impresión sin bordes**
- ▶ **Impresión a escala**
- ▶ **Impresión de diseño de página**
- ▶ **Impresión de mosaico/póster**
- ▶ **Impresión a doble cara**
- ▶ **Configuración de la impresión de sobres**
- ▶ **Impresión en postales**

Configuración de la Orientación y del Tamaño de página

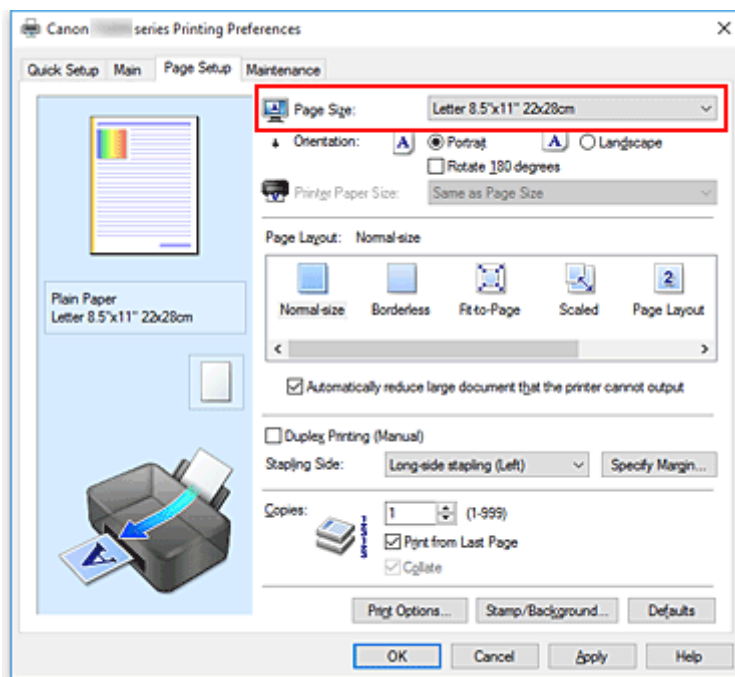
La orientación y el tamaño de página los determina esencialmente el software de la aplicación. Cuando el tamaño de página y la orientación especificados en **Tamaño de página (Page Size)** y **Orientación (Orientation)** de la ficha **Configurar página (Page Setup)** coincidan con los establecidos por medio del software de la aplicación, no será necesario seleccionarlos en la ficha **Configurar página (Page Setup)**.

En caso de no poder especificarlos con el software de la aplicación, el procedimiento para seleccionar el tamaño de página y la orientación es el siguiente:

También puede establecer los valores de tamaño de página y orientación en la ficha **Configuración rápida (Quick Setup)**.

1. Abra la [ventana de configuración del controlador de impresora](#)
2. Seleccione el tamaño del papel

Seleccione un tamaño de página en la lista **Tamaño de página (Page Size)** de la ficha **Configurar página (Page Setup)**.



3. Establezca el valor de **Orientación (Orientation)**

Elija **Vertical (Portrait)** u **Horizontal (Landscape)** en **Orientación (Orientation)**. Marque la casilla de verificación **Girar 180 grados (Rotate 180 degrees)** si desea que al imprimir se gire el original 180 grados.

4. Haga clic en **Aceptar (OK)**

Cuando ejecute la impresión, el documento se imprimirá con el tamaño de página y la orientación seleccionados.

»» Nota

- Si se selecciona **Tamaño normal (Normal-size)** para **Formato de página (Page Layout)**, se mostrará **Reducir automáticamente documentos grandes que no admite la impresora (Automatically reduce large document that the printer cannot output)**.

Normalmente, podrá dejar la casilla de verificación activada. Durante la impresión, desactive la casilla de verificación si no desea reducir grandes documentos que no se pueden imprimir en la impresora.

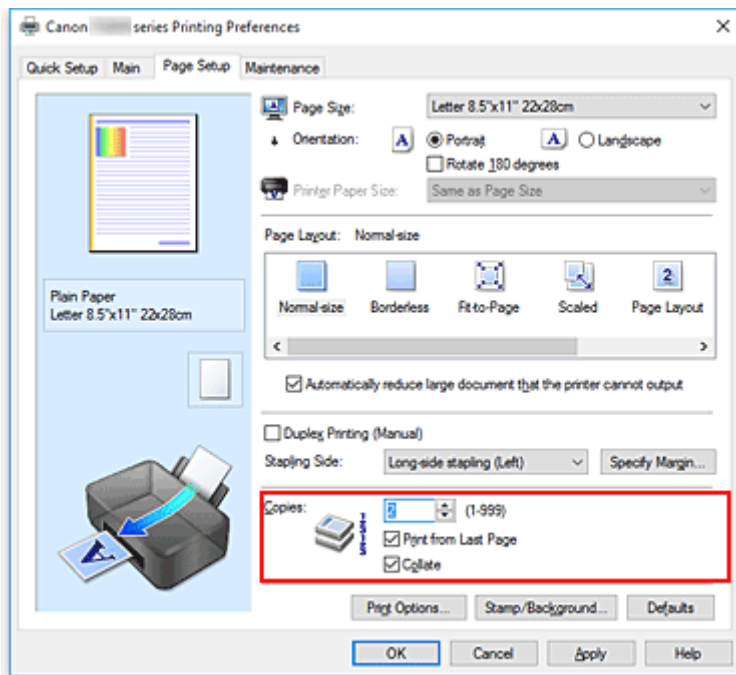
Configuración del número de copias y del orden de impresión

También puede establecer el número de copias en la ficha **Configuración rápida (Quick Setup)**.

1. Abra la [ventana de configuración del controlador de impresora](#)

2. Establezca el número de copias que desee imprimir

En el campo **Copias (Copies)** de la ficha **Configurar página (Page Setup)**, especifique el número de copias que desee imprimir.

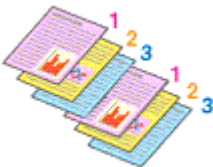


3. Especifique el orden de impresión

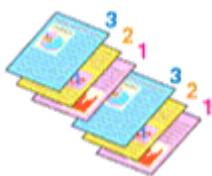
Marque la casilla de verificación **Imprimir desde la última página (Print from Last Page)** cuando quiera imprimir en orden desde la última página y desmárquela para imprimir empezando por la primera página.

Marque la casilla de verificación **Intercalar (Collate)** cuando vaya a imprimir varias copias de un documento y desee que todas las páginas de cada copia estén juntas. Desmarque esta casilla si desea imprimir juntas todas las páginas que tengan el mismo número de página.

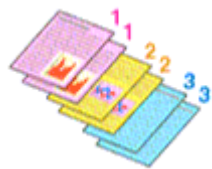
- **Imprimir desde la última página (Print from Last Page):** / **Intercalar (Collate):**



- **Imprimir desde la última página (Print from Last Page):** / **Intercalar (Collate):**



- **Imprimir desde la última página (Print from Last Page):** / **Intercalar (Collate):**



- **Imprimir desde la última página (Print from Last Page):** / **Intercalar (Collate):**



4. Haga clic en **Aceptar (OK)**

Al llevar a cabo la impresión, se imprimirá la cantidad de copias indicada en el orden especificado.

»»» **Importante**

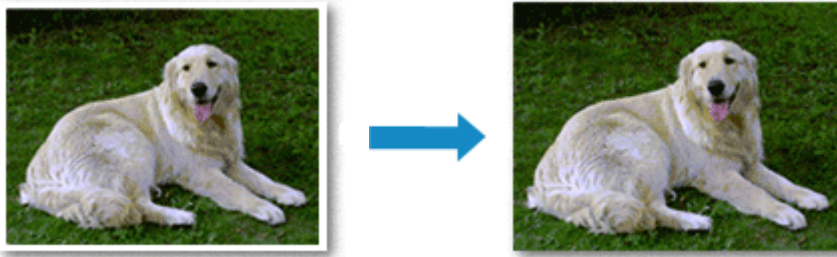
- Cuando el software de aplicación utilizado para crear el documento tenga la misma función, especifique la configuración en el controlador de impresora. Sin embargo, si los resultados de impresión no son aceptables, especifique la configuración de las funciones mediante el software de aplicación. Si especifica el número de copias y el orden de impresión tanto con el software de la aplicación como con el controlador de impresora, es posible que el número de copias sea la multiplicación de las dos configuraciones o que el orden de impresión especificado no se active.
- La opción **Imprimir desde la última página (Print from Last Page)** aparecerá atenuada y no estará disponible en el caso de seleccionar **Mosaico/Póster (Tiling/Poster)** en **Formato de página (Page Layout)**.
- Cuando se selecciona **Cuadernillo (Booklet)** en **Formato de página (Page Layout)**, **Imprimir desde la última página (Print from Last Page)** e **Intercalar (Collate)** aparecen atenuadas y no se pueden establecer.
- Cuando se selecciona **Impresión a doble cara (Manual) (Duplex Printing (Manual))**, **Imprimir desde la última página (Print from Last Page)** aparece atenuada y no se puede establecer.

»»» **Nota**

- Si marca las opciones **Imprimir desde la última página (Print from Last Page)** e **Intercalar (Collate)**, podrá llevar a cabo la impresión de modo que se intercalen las hojas de una en una comenzando por la última página.
Estas opciones se pueden utilizar combinadas con **Tamaño normal (Normal-size)**, **Sin bordes (Borderless)**, **Ajuste a la página (Fit-to-Page)**, **A escala (Scaled)** y **Diseño de página (Page Layout)**.

Ejecución de la impresión sin bordes

La función de impresión sin bordes permite imprimir los datos sin ningún margen, ampliándolos para que sobresalgan ligeramente del papel. En la impresión estándar, se crean los márgenes alrededor del área de documento. Sin embargo, en la función de impresión sin bordes, no se crean estos márgenes. Cuando desee imprimir datos, como una fotografía, sin que quede un margen a su alrededor, establezca la impresión sin bordes.

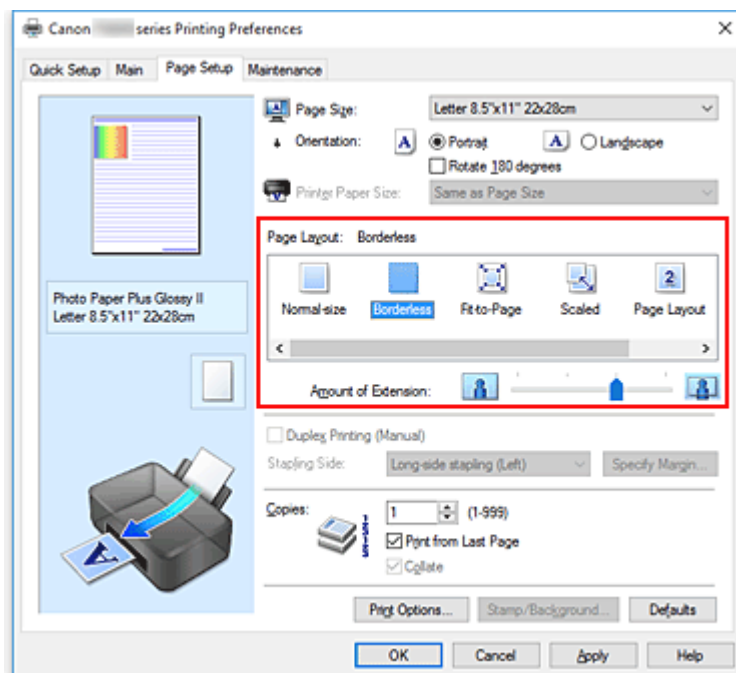


La impresión sin bordes también se puede establecer en **Funciones adicionales (Additional Features)** de la ficha **Configuración rápida (Quick Setup)**.

Configuración de la impresión sin bordes

1. Abra la [ventana de configuración del controlador de impresora](#)
2. Establezca la impresión sin bordes

Seleccione **Sin bordes (Borderless)** en la lista **Formato de página (Page Layout)** de la ficha **Configurar página (Page Setup)**.



Haga clic en **Aceptar (OK)** cuando aparezca el mensaje de confirmación.

Si aparece un mensaje en el que se le solicita la modificación del tipo de soporte, seleccione un tipo distinto de la lista y haga clic en **Aceptar (OK)**.

3. Compruebe el tamaño del papel

Compruebe la lista **Tamaño de página (Page Size)**. Cuando desee cambiarlo, elija otro tamaño de página de la lista. En la lista sólo se muestran los tamaños que se pueden utilizar para la impresión sin bordes.

4. Ajuste la extensión del papel

En caso necesario, ajuste el valor de la extensión mediante el control deslizante **Extensión (Amount of Extension)**.

Al mover el control deslizante a la derecha, aumenta la extensión del papel, y al moverlo hacia la izquierda disminuye.

En la mayoría de los casos es recomendable establecer el control deslizante en la segunda posición desde la derecha.



»»» Importante

- Cuando se coloca el regulador **Extensión (Amount of Extension)** totalmente a la derecha, el reverso del papel puede mancharse.

5. Haga clic en **Aceptar (OK)**

Al imprimir, los datos se imprimen sin márgenes en el papel.

»»» Importante

- Cuando se selecciona un tamaño de página que no es válido para la impresión sin bordes, el tamaño cambia automáticamente a uno de los tamaños válidos para la impresión sin bordes.
- Si se selecciona **Sin bordes (Borderless)**, los ajustes **Tamaño del papel de la impresora (Printer Paper Size)**, **Impresión a doble cara (Manual) (Duplex Printing (Manual))**, **Lado de grapado (Stapling Side)**, así como el botón **Sello/Fondo... (Stamp/Background...)** de la ficha **Configurar página (Page Setup)** aparecen atenuados y no están disponibles.
- Si selecciona las opciones **Sobre (Envelope)** o **Papel de alta resolución (High Resolution Paper)** de la lista **Tipo de soporte (Media Type)** en la ficha **Principal (Main)**, no puede llevar a cabo la impresión sin bordes.
- La calidad de impresión puede verse afectada o pueden aparecer manchas en la parte superior o inferior de las hojas en función del tipo de soporte utilizado durante la impresión sin bordes.
- Cuando la proporción de altura y anchura difiera de los datos de imagen, puede que no se imprima una parte de la imagen, en función del tamaño del soporte utilizado.
En tal caso, recorte los datos de imagen con un software de aplicación según el tamaño del papel.

»»» Nota

- No se recomienda la impresión sin bordes cuando se selecciona **Papel normal (Plain Paper)** en la opción **Tipo de soporte (Media Type)** de la ficha **Principal (Main)**. En consecuencia, aparece el

mensaje de selección de soporte.

Cuando vaya a utilizar papel normal para hacer una impresión de prueba, seleccione **Papel normal (Plain Paper)** y haga clic en **Aceptar (OK)**.

Expansión del tamaño del documento que se va a imprimir

Si se especifica un valor de extensión grande se puede llevar a cabo la impresión sin bordes sin ningún problema. Sin embargo, la parte del documento que sobresalga del papel no se imprimirá, y por esta razón, los elementos situados más allá del perímetro de una fotografía pueden no imprimirse.

Si no queda satisfecho con los resultados, reduzca el valor de extensión. El valor de extensión disminuye cuando el control deslizante **Extensión (Amount of Extension)** se mueve hacia la izquierda.

►► Importante

- Según el tamaño del papel, si se reduce la extensión, puede que se genere un margen no deseado en la copia impresa.

►► Nota

- Cuando el control deslizante **Extensión (Amount of Extension)** esté situado totalmente a la izquierda, los datos de imagen se imprimirán a tamaño completo. Si lo establece al imprimir el lado de la dirección de una postal, el código postal del remitente se imprimirá en la posición correcta.
- Si selecciona **Vista preliminar antes de imprimir (Preview before printing)** en la ficha **Principal (Main)**, podrá confirmar antes de imprimir si habrá margen o no.

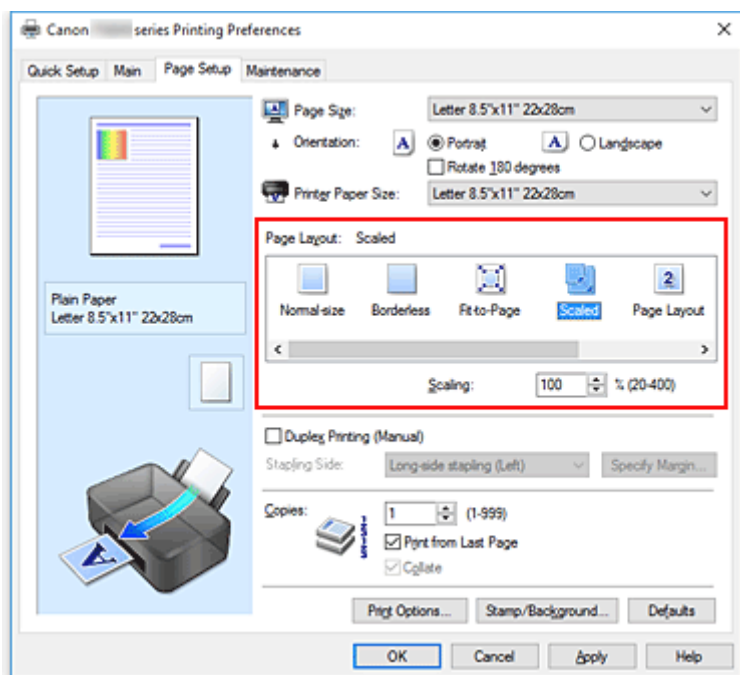
Impresión a escala



1. Abra la [ventana de configuración del controlador de impresora](#)

2. Establezca la impresión a escala

Seleccione **A escala (Scaled)** en la lista **Formato de página (Page Layout)** de la ficha **Configurar página (Page Setup)**.



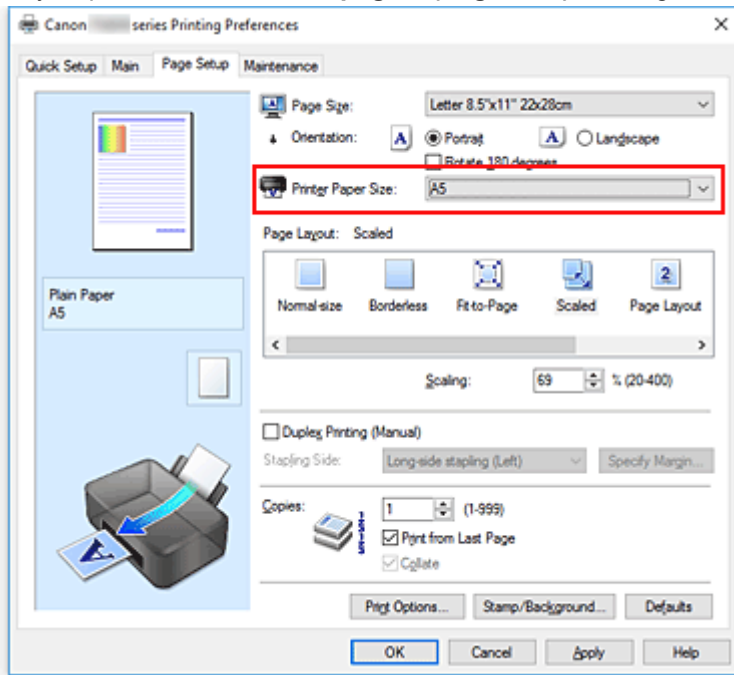
3. Seleccione el tamaño del papel del documento

Mediante **Tamaño de página (Page Size)**, seleccione el tamaño de página definido con el software de la aplicación.

4. Seleccione la proporción de escala mediante uno de los métodos siguientes:

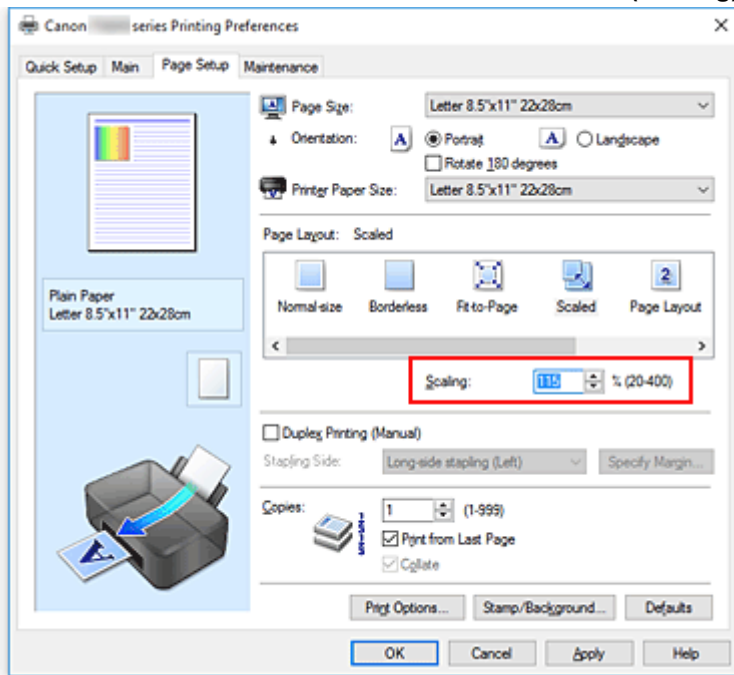
- Seleccione un valor para **Tamaño del papel de la impresora (Printer Paper Size)**

Cuando el valor del tamaño del papel de la impresora sea menor que el de **Tamaño de página (Page Size)**, la imagen de la página se reducirá. Cuando el tamaño del papel de la impresora sea mayor que el de **Tamaño de página (Page Size)**, la imagen de la página se ampliará.



- Especifique un factor de escala

Introduzca directamente un valor en el cuadro **Escala (Scaling)**.



Los ajustes en uso se muestran en la vista preliminar de la configuración a la izquierda del controlador de impresora.

5. Haga clic en **Aceptar (OK)**

Al imprimir, el documento se imprimirá con la escala especificada.

»» Importante

- Cuando el software de aplicación que se haya utilizado para crear el original disponga de una función de impresión a escala, establezca la configuración desde el software de aplicación. No será necesario establecer la misma configuración en el controlador de impresora.

»» Nota

- La selección de **A escala (Scaled)** modifica el área imprimible del documento.

Impresión de diseño de página

La función Impresión de diseño de página permite imprimir varias páginas en una sola hoja de papel.

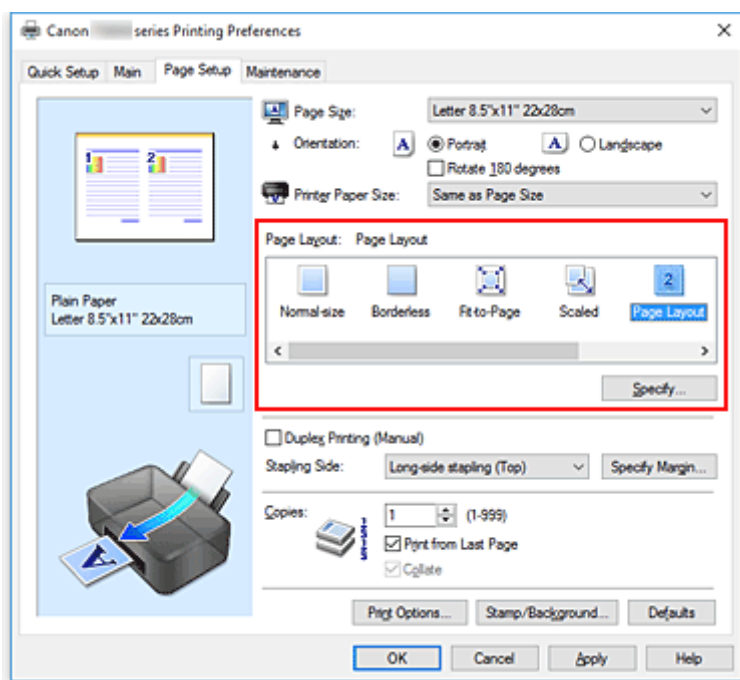


1. Abra la [ventana de configuración del controlador de impresora](#)

2. Establezca la impresión del diseño de página

Seleccione **Diseño de página (Page Layout)** en la lista **Formato de página (Page Layout)** de la ficha **Configurar página (Page Setup)**.

Los ajustes en uso se muestran en la vista preliminar de la configuración a la izquierda del controlador de impresora.

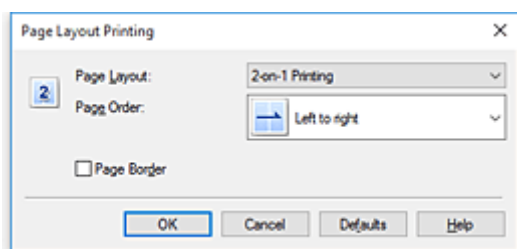


3. Seleccione el tamaño del papel de impresión

Seleccione el tamaño de papel cargado en la impresora en la lista **Tamaño del papel de la impresora (Printer Paper Size)**.

4. Establezca el número de páginas que desee imprimir en una hoja y el orden de páginas

Si es necesario, haga clic en **Especificar... (Specify...)**, establezca los siguientes valores en el cuadro de diálogo **Impresión de diseño de página (Page Layout Printing)** y haga clic en **Aceptar (OK)**.



Formato de página (Page Layout)

Para cambiar el número de páginas que se imprimirán en una sola hoja de papel, selecciónelo en la lista.

Orden de páginas (Page Order)

Para cambiar el orden de alineación de las páginas, seleccione un método de colocación en la lista.

Borde de página (Page Border)

Para imprimir un borde de página alrededor de todas las páginas de un documento, active esta casilla de verificación.

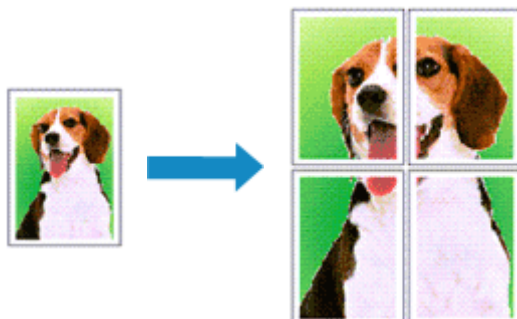
5. Finalice la configuración

Haga clic en **Aceptar (OK)** de la ficha **Configurar página (Page Setup)**.

Al imprimir, se ordenará el número especificado de páginas en cada hoja de papel en el orden indicado.

Impresión de mosaico/póster

La función de impresión de mosaico/póster permite ampliar los datos de imagen, dividirlos en varias páginas e imprimir esas páginas en distintas hojas de papel. También puede pegar las páginas para crear una impresión grande como un póster.

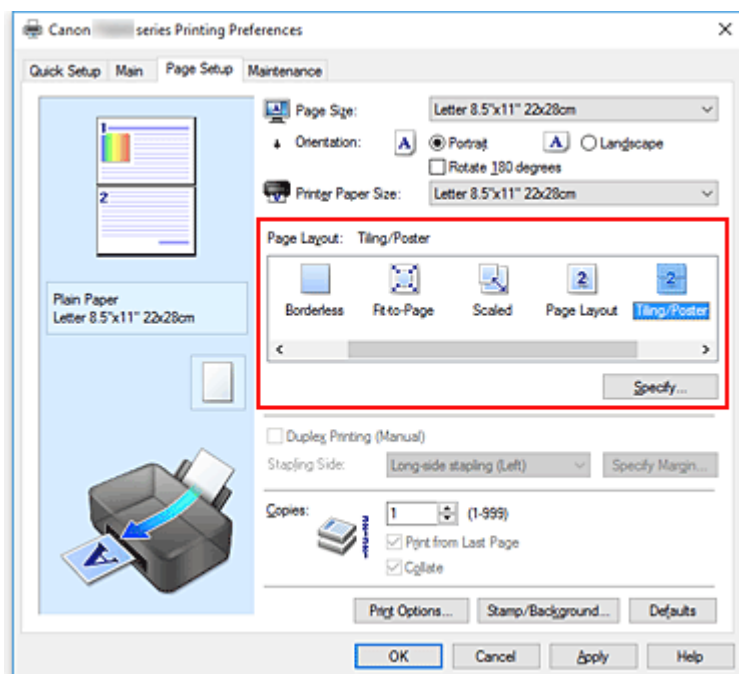


Configuración de Impresión de mosaico/póster

1. Abra la [ventana de configuración del controlador de impresora](#)
2. Configure la impresión de mosaico/póster

Seleccione **Mosaico/Póster (Tiling/Poster)** en la lista **Formato de página (Page Layout)** de la ficha **Configurar página (Page Setup)**.

Los ajustes en uso se muestran en la vista preliminar de la configuración a la izquierda del controlador de impresora.

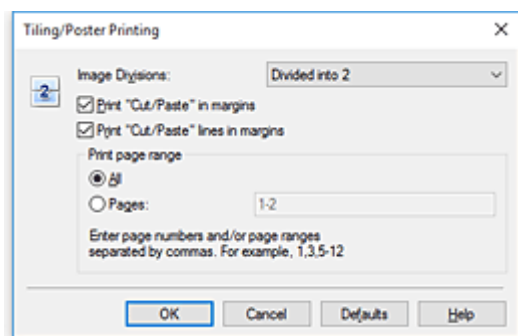


3. Seleccione el tamaño del papel de impresión

Seleccione el tamaño de papel cargado en la impresora en la lista **Tamaño del papel de la impresora (Printer Paper Size)**.

4. Establezca el número de divisiones de la imagen y las páginas que se van a imprimir

Si es necesario, haga clic en **Especificar... (Specify...)**, establezca los siguientes valores en el cuadro de diálogo **Impresión de mosaico/póster (Tiling/Poster Printing)** y, a continuación, haga clic en **Aceptar (OK)**.



Div. Imágenes (Image Divisions)

Seleccione el número de divisiones (vertical x horizontal).

A medida que aumenta el número de divisiones, aumenta también el número de hojas que se utilizan para imprimir. Si va a pegar páginas para crear un póster, aumentar el número de divisiones le permitirá crear un póster más grande.

Imprimir "Cortar/Pegar" en márgenes (Print "Cut/Paste" in margins)

Para no imprimir las palabras "Cortar/Pegar", desactive esta casilla de verificación.

»»» Nota

- Puede que esta función no esté disponible cuando se utilicen ciertos tipos de controladores de impresora o entornos operativos.

Imprimir líneas de "Cortar/Pegar" en márgenes (Print "Cut/Paste" lines in margins)

Para no imprimir las líneas de corte, desactive esta casilla de verificación.

Imprimir intervalo de páginas (Print page range)

Permite especificar el intervalo de impresión. Normalmente se selecciona **Todo (All)**.

Para volver a imprimir una página específica, seleccione **Páginas (Pages)** e introduzca el número de página que desee imprimir. Para especificar varias páginas, introduzca los números de las páginas separándolos con comas o coloque un guión entre ellos.

»»» Nota

- También puede especificar el rango de impresión haciendo clic en las páginas en la vista preliminar de la configuración.

5. Finalice la configuración

Haga clic en **Aceptar (OK)** de la ficha **Configurar página (Page Setup)**.

Al imprimir, el documento se dividirá en varias páginas durante la impresión.

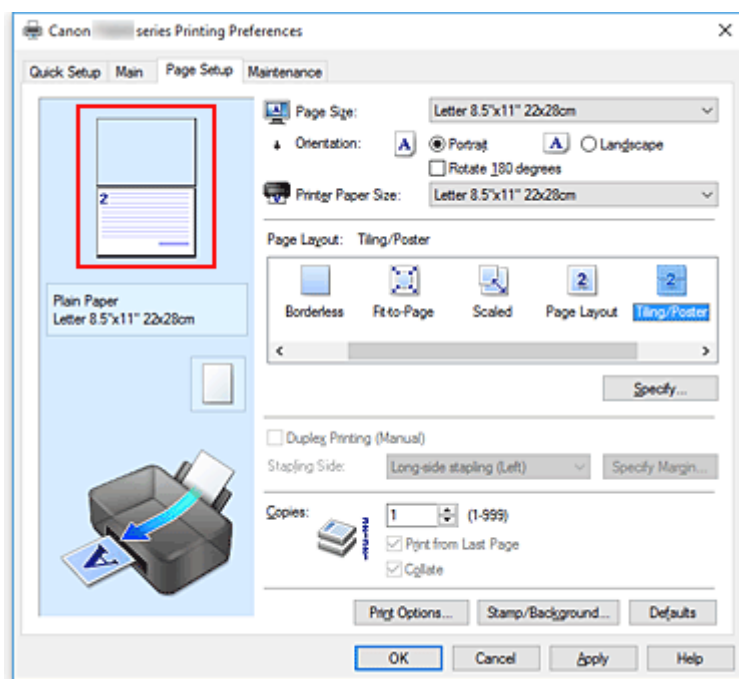
Impresión sólo de páginas especificadas

Si la tinta se agotase o los caracteres perdiesen intensidad durante el proceso de impresión, podrá reimprimir sólo las páginas concretas siguiendo el procedimiento que se describe a continuación:

1. Establezca el intervalo de impresión

En la vista preliminar de la configuración de la parte izquierda de la ficha **Configurar página (Page Setup)**, haga clic en las páginas que no necesite imprimir.

De esta forma, todas las páginas sobre las que haga clic serán eliminadas y sólo las que aparecen en pantalla se imprimirán.



➤➤➤ Nota

- Haga clic en las páginas eliminadas para volver a mostrarlas.
- Con el botón secundario, haga clic en la vista preliminar de la configuración para seleccionar **Imprimir todas las páginas (Print all pages)** o **Eliminar todas las páginas (Delete all pages)**.

2. Finalice la configuración

Tras terminar la selección de páginas, haga clic en **Aceptar (OK)**.

Al imprimir, sólo se imprimirán las páginas especificadas.

➤➤➤ Importante

- Los resultados de la impresión pueden tener una apariencia tosca debido a que la impresión de mosaicos/pósters aumenta el documento al imprimirlo.

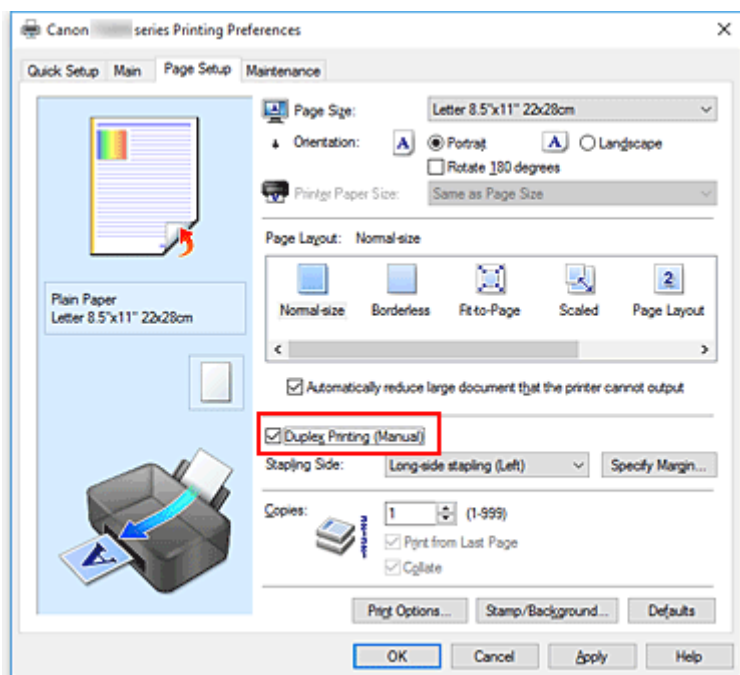
Impresión a doble cara



La impresión a doble cara también se puede establecer en **Funciones adicionales (Additional Features)** de la ficha **Configuración rápida (Quick Setup)**.

1. Abra la [ventana de configuración del controlador de impresora](#)
2. Establezca la impresión a doble cara

Active la casilla de verificación **Impresión a doble cara (Manual) (Duplex Printing (Manual))** de la ficha **Configurar página (Page Setup)**.



3. Seleccione el formato

Seleccione **Tamaño normal (Normal-size)**, **Ajuste a la página (Fit-to-Page)**, **A escala (Scaled)** o **Diseño de página (Page Layout)** en la lista **Formato de página (Page Layout)**.

4. Especifique el lado de grapado

El mejor **Lado de grapado (Stapling Side)** se selecciona automáticamente en la configuración de **Orientación (Orientation)** y de **Formato de página (Page Layout)**. Para cambiar la configuración, seleccione otro lado de grapado en la lista.

5. Establezca el ancho del margen

En caso necesario, haga clic en **Especificar margen... (Specify Margin...)** y establezca el ancho del margen; a continuación, haga clic en **Aceptar (OK)**.

6. Finalice la configuración

Haga clic en **Aceptar (OK)** de la ficha **Configurar página (Page Setup)**.

Al llevar a cabo la impresión, el documento se imprimirá primero en una cara de la hoja de papel. Una vez que se haya imprimido una cara, vuelva a cargar correctamente el papel según el mensaje.

A continuación, haga clic en **Iniciar impresión (Start Printing)** para imprimir la otra cara.

▶▶▶ Importante

- Si se selecciona un tipo de soporte distinto de **Papel normal (Plain Paper)** en **Tipo de soporte (Media Type)** de la ficha **Principal (Main)**, la opción **Impresión a doble cara (Manual) (Duplex Printing (Manual))** aparecerá atenuada y no estará disponible.
- Cuando se seleccione **Sin bordes (Borderless)**, **Mosaico/Póster (Tiling/Poster)** o **Cuadernillo (Booklet)** en la lista **Formato de página (Page Layout)**, las opciones **Impresión a doble cara (Manual) (Duplex Printing (Manual))** y **Lado de grapado (Stapling Side)** aparecerán atenuadas y no estarán disponibles.

▶▶▶ Nota

- Si el reverso del papel aparece con manchas en la impresión a doble cara, utilice la función **Limpieza de placa inferior (Bottom Plate Cleaning)** de la Canon IJ Printer Assistant Tool.

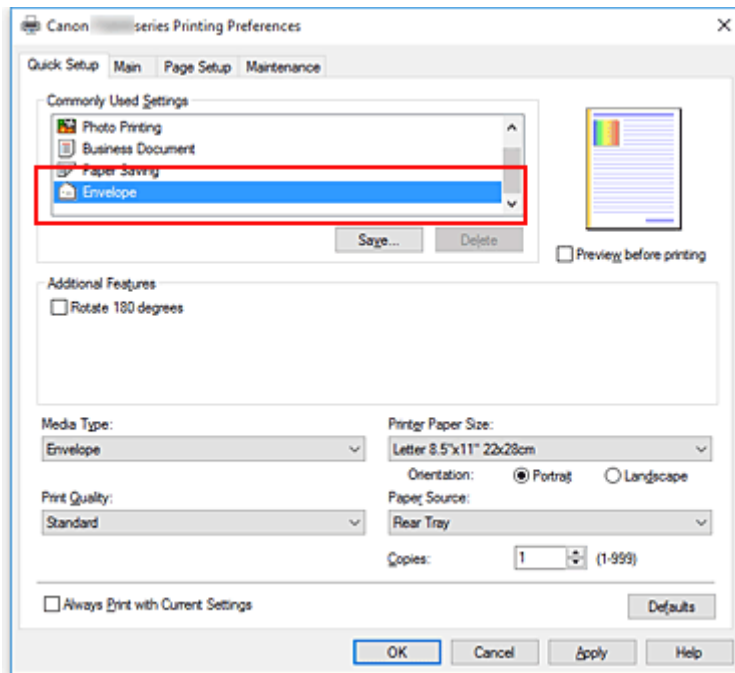
Temas relacionados

- Limpieza del interior de la Impresora
- [Cambio del modo de funcionamiento de la Impresora](#)

Configuración de la impresión de sobres

1. [Cargue un sobre](#) en la impresora
2. Abra la [ventana de configuración del controlador de impresora](#)
3. Seleccione el tipo de soporte

Elija **Sobre (Envelope)** en **Configuraciones más utilizadas (Commonly Used Settings)** de la ficha **Configuración rápida (Quick Setup)**.

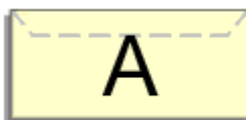


4. Seleccione el tamaño del papel

Cuando aparezca el cuadro de diálogo **Configuración del tamaño del sobre (Envelope Size Setting)**, seleccione **Sobre comercial 10 (Envelope Com 10)**, **Sobre DL (Envelope DL)**, **Yougata 4 105x235mm (Yougata 4 4.13\"x9.25\")** o **Yougata 6 98x190mm (Yougata 6 3.86\"x7.48\")** y, a continuación, haga clic en **Aceptar (OK)**.

5. Establezca la orientación

Para imprimir las direcciones horizontalmente, seleccione **Horizontal (Landscape)** en **Orientación (Orientation)**.



►►► Nota

- Si ha seleccionado **Sobre comercial 10 (Envelope Com 10)**, **Sobre DL (Envelope DL)**, **Yougata 4 105x235mm (Yougata 4 4.13\"x9.25\")** o **Yougata 6 98x190mm (Yougata 6**

3.86"x7.48") en **Tamaño del papel de la impresora (Printer Paper Size)**, la impresora girará el papel 90 grados a la izquierda en la impresión, independientemente de la configuración **Girar 90 grados a la izquierda si la orientación es [Horizontal] (Rotate 90 degrees left when orientation is [Landscape])** en **Configuración personalizada (Custom Settings)** de Canon IJ Printer Assistant Tool.

6. Seleccione la calidad de impresión

Según sus necesidades, seleccione **Alta (High)** o **Estándar (Standard)** en **Calidad de impresión (Print Quality)**.

7. Haga clic en **Aceptar (OK)**

Al llevar a cabo la impresión, se imprimirá la información en el sobre.

»»» **Importante**

- Cuando se imprimen sobres, se muestran mensajes de guía.
Para ocultar los mensajes de guía, marque la casilla de verificación **No volver a mostrar este mensaje (Do not show this message again)**.
Para volver a mostrar la guía, haga clic en el botón **Ver estado de la impresora (View Printer Status)** de la ficha **Mantenimiento (Maintenance)** y, a continuación, inicie el Monitor de estado Canon IJ.
A continuación, haga clic en **Impresión de sobres (Envelope Printing)** de **Mostrar mensaje de guía (Display Guide Message)** en el menú **Opciones (Option)** para activar la configuración.

Impresión en postales

1. [Cargue una postal](#) en la impresora

2. Abra la [ventana de configuración del controlador de impresora](#)

3. Seleccione las configuraciones más utilizadas

Abra la ficha **Configuración rápida (Quick Setup)** y en **Configuraciones más utilizadas (Commonly Used Settings)** seleccione **Estándar (Standard)**.

4. Seleccione el tipo de soporte

En **Tipo de soporte (Media Type)**, seleccione **Ink Jet Hagaki (A)**, **Ink Jet Hagaki**, **Hagaki K (A)**, **Hagaki K**, **Hagaki (A)** o **Hagaki**.

»»» Importante

- Esta impresora no puede imprimir postales con fotos o pegatinas pegadas.
- Cuando imprima cada lado de la postal por separado, obtendrá una impresión más limpia si imprime primero el lado del mensaje y luego el de la dirección.

5. Seleccione el tamaño del papel

En **Tamaño del papel de la impresora (Printer Paper Size)** seleccione **Hagaki 100x148mm** o **Hagaki 2 200x148mm**.

»»» Importante

- Las postales plegables solo se pueden usar si se imprimen desde el ordenador.
- Cuando imprima una postal plegable, establezca siempre el tamaño de papel **Hagaki 2 200x148mm** desde el software de la aplicación o el controlador de impresora.
- No doble la postal plegable. Si se forma un doblez, la impresora no cargará la postal correctamente y las líneas podrían quedar torcidas o se podría atascar el papel.
- Con las postales plegables no se puede usar la impresión sin bordes.

6. Establecer la orientación de la impresión

Para imprimir la dirección horizontalmente, establezca la **Orientación (Orientation) Horizontal (Landscape)**.

7. Seleccione la calidad de impresión

En **Calidad de impresión (Print Quality)**, seleccione **Alta (High)** o **Estándar (Standard)** según sus necesidades.

8. Haga clic en **Aceptar (OK)**

Al imprimir, los datos se imprimirán en la postal.

»» Importante

- Cuando imprima postales, se mostrará un mensaje de guía.
Cuando aparezca el mensaje de guía, seleccione **No volver a mostrar este mensaje (Do not show this message again)** si no desea que vuelva a aparecer.
Para volver a mostrar el mensaje de guía, abra la ficha **Mantenimiento (Maintenance)** y haga clic en **Ver estado de la impresora (View Printer Status)** para iniciar el monitor de estado de Canon IJ.
En el menú **Opciones (Option)**, elija **Mostrar mensaje de guía (Display Guide Message)** y haga clic en **Impresión de Hagaki (Hagaki Printing)** para activar la configuración.
- Cuando imprima en soportes que no sean postales, cargue el soporte adecuado para el método de uso correspondiente y haga clic en **Iniciar impresión (Start Printing)**.

Descripción del controlador de impresora

- ▶ **Controlador de impresora Canon IJ**
 - Apertura de la pantalla de configuración del controlador de impresora
- ▶ **Estado del monitor Canon IJ**
- ▶ **Instrucciones de uso (controlador de impresora)**

Controlador de impresora Canon IJ

El controlador de impresora Canon IJ (al que se hace referencia más abajo como "controlador de impresora" simplemente) es software que instala en su ordenador para que pueda comunicarse con la impresora.

El controlador de impresora convierte los datos creados por el software de la aplicación en datos que la impresora es capaz de entender, y envía a la impresora la información ya convertida.

Como las distintas impresoras admiten distintos formatos de datos, necesita un controlador de impresora que sea compatible con su impresora.

Instalación del controlador de impresora

Para instalar el controlador de impresora, instale el controlador **Volver a iniciar la instalación (Start Setup Again)** del CD-ROM de instalación que venía incluido con su impresora.

Especificación del controlador de impresora

Para especificar el controlador de impresora, abra el cuadro de diálogo **Imprimir (Print)** del software de aplicación que esté usando, y seleccione "Canon XXX" (donde "XXX" es el nombre de su modelo).

Visualización del Manual desde el controlador de impresora

Para mostrar la descripción de una pestaña de la pantalla de configuración del controlador de impresora, haga clic en **Ayuda (Help)** en esa pestaña.

Tema relacionado

- [Apertura de la pantalla de configuración del controlador de impresora](#)

Apertura de la pantalla de configuración del controlador de impresora

Puede ver la pantalla de configuración del controlador de la impresora desde la aplicación de software o haciendo clic en el icono de la impresora.

Acceso a la pantalla de configuración del controlador de la impresora desde el software de la aplicación

Siga este procedimiento para establecer la configuración de impresión durante la impresión.

1. Seleccione el comando Imprimir en el software de la aplicación.

El comando **Imprimir (Print)** suele encontrarse en el menú **Archivo (File)**.

2. Seleccione el modelo de impresora y haga clic en **Preferencias (Preferences)** o en **Propiedades (Properties)**.

Aparecerá la pantalla de configuración del controlador de impresora.

»» Nota

- En función del software de aplicación que utilice, los nombres de comando o de menú, así como el número de pasos pueden variar. Para obtener más detalles, consulte las instrucciones de funcionamiento del software de la aplicación.

Acceso a la pantalla de configuración del controlador de la impresora haciendo clic en el icono de la impresora

Desde la pantalla de configuración puede realizar operaciones de mantenimiento de la impresora, como limpiar el cabezal de impresión o establecer la configuración de impresión para compartirla con todo el software de la aplicación.

1. Seleccione **Panel de control (Control Panel) -> Hardware y sonido (Hardware and Sound) -> Dispositivos e impresoras (Devices and Printers)**.
2. Haga clic con el botón derecho en el icono de su modelo. Cuando aparezca el menú, seleccione **Preferencias de impresión (Printing preferences)**

Aparecerá la pantalla de configuración del controlador de impresora.

»» Importante

- Al abrir la ventana de configuración del controlador de la impresora a través de **Propiedades de impresora (Printer properties)** se muestran pestañas relacionadas con las funciones de Windows como la pestaña **Puertos (Ports)** (o **Avanzadas (Advanced)**). Estas pestañas no aparecen cuando la apertura se realiza desde **Preferencias de impresión (Printing preferences)** o el software de aplicación. Para obtener información sobre las funciones de Windows, consulte el manual del usuario de Windows.

Estado del monitor Canon IJ

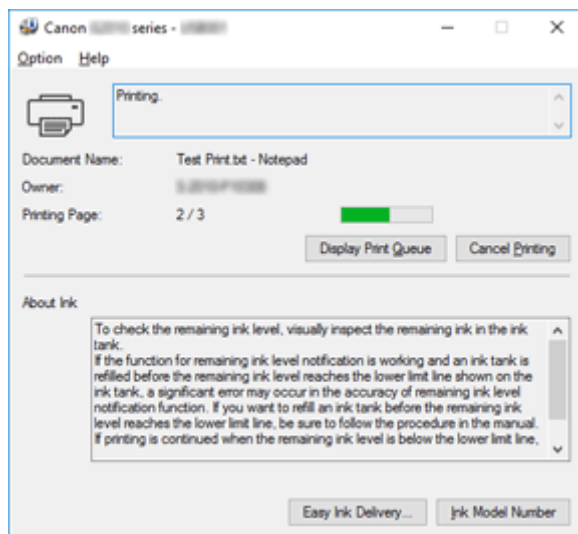
El Monitor de estado Canon IJ es un software de aplicación que muestra el estado de la impresora y el progreso de la impresión. Conocerá el estado de la impresora mediante gráficos, iconos y mensajes.

Inicio del Monitor de estado Canon IJ

El Monitor de estado Canon IJ se inicia automáticamente al enviar datos de impresión a la impresora. Cuando se inicia, el Monitor de estado Canon IJ se muestra como un botón en la barra de tareas.



Haga clic en el botón del monitor de estado que aparece en la barra de tareas. Se mostrará el Monitor de estado Canon IJ.

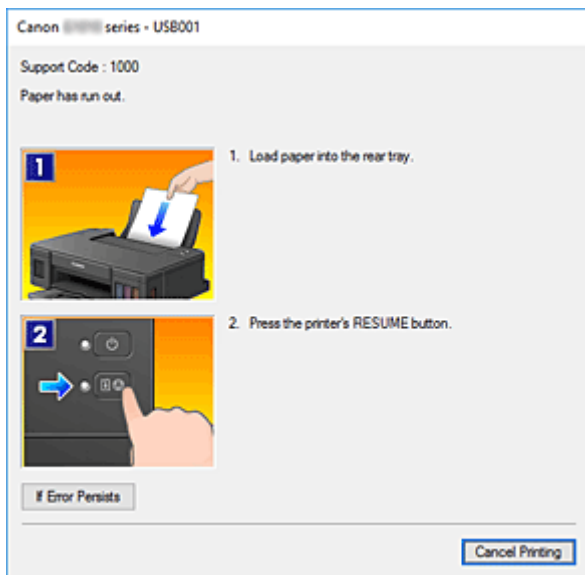


»»» Nota

- Para abrir el Monitor de estado Canon IJ cuando la impresora no está imprimiendo, abra la [ventana de configuración del controlador de impresora](#) y haga clic en **Ver estado de la impresora (View Printer Status)**, en la ficha **Mantenimiento (Maintenance)**.
- La información que aparece en el Monitor de estado Canon IJ puede variar en función del país o región donde se utilice la impresora.

Errores

Si se producen errores, el Monitor de estado Canon IJ aparecerá automáticamente (p. ej., si la impresora se queda sin papel o si el nivel de tinta es bajo).



En estos casos, siga los pasos que se describan para solucionar el problema.

Instrucciones de uso (controlador de impresora)

Este controlador de impresora está sujeto a las siguientes restricciones. Cuando utilice el controlador de impresora, tenga en cuenta lo que se indica a continuación.

Restricciones del controlador de impresora

- Es posible que en algunas aplicaciones la opción **Copias (Copies)** de la ficha **Configurar página (Page Setup)** del controlador de impresora no esté activada. En este caso, utilice la opción de copias del cuadro de diálogo **Imprimir (Print)** del software de aplicación.
- Si el idioma seleccionado en **Idioma (Language)** en el cuadro de diálogo **Acerca de (About)** de la ficha **Mantenimiento (Maintenance)** no coincide con el del sistema operativo, es posible que la ventana de configuración del controlador de la impresora no se vea correctamente.
- No modifique los elementos de la ficha **Opciones avanzadas (Advanced)** de las propiedades de la impresora. Si modifica cualquiera de estos elementos, no podrá utilizar las siguientes funciones correctamente.

Asimismo, si se selecciona la opción **Imprimir a un archivo (Print to file)** en el cuadro de diálogo **Imprimir (Print)** del software de aplicación y con las aplicaciones que no permiten la cola de EMF, como Adobe Photoshop LE o MS Photo Editor, las siguientes funciones no estarán disponibles.

- **Vista preliminar antes de imprimir (Preview before printing)** en la ficha **Principal (Main)**
 - **Prevención de pérdida de datos de impresión (Prevention of Print Data Loss)** en el cuadro de diálogo **Opciones de impresión (Print Options)** de la ficha **Configurar página (Page Setup)**
 - **Diseño de página (Page Layout)**, **Mosaico/Póster (Tiling/Poster)**, **Cuadernillo (Booklet)**, **Impresión a doble cara (Manual) (Duplex Printing (Manual))**, **Especificar margen... (Specify Margin...)**, **Imprimir desde la última página (Print from Last Page)**, **Intercalar (Collate)** y **Sello/Fondo... (Stamp/Background...)** en la ficha **Configurar página (Page Setup)**
 - **Imprimir un patrón para ajuste de color (Print a pattern for color adjustment)** en la ficha **Ajuste de color (Color Adjustment)** del cuadro de diálogo **Ajuste manual del color (Manual Color Adjustment)**
- Dado que la resolución de la pantalla de vista preliminar es diferente de la resolución de impresión, es posible que el texto y las líneas de la pantalla de la vista preliminar tengan un aspecto diferente a los resultados reales de impresión.
 - Con algunas aplicaciones, la impresión se divide en varios trabajos de impresión. Para cancelar la impresión, elimine todos los trabajos de impresión divididos.
 - Si los datos de imagen no se imprimen correctamente, acceda al cuadro de diálogo **Opciones de impresión (Print Options)** desde la ficha **Configurar página (Page Setup)** y modifique la configuración de **Es necesario desactivar ICM desde el software de la aplicación (Disable ICM required from the application software)**. Quizás esto solucione el problema.

Aspectos a tener en cuenta sobre las aplicaciones con restricciones

- Microsoft Word (Microsoft Corporation) está sujeto a las siguientes restricciones.
 - Si Microsoft Word ofrece las mismas funciones de impresión que el controlador de impresora, utilice Word para especificarlas.
 - Cuando se utiliza **Ajuste a la página (Fit-to-Page)**, **A escala (Scaled)** o **Diseño de página (Page Layout)** para **Formato de página (Page Layout)** en la ficha **Configurar página (Page**

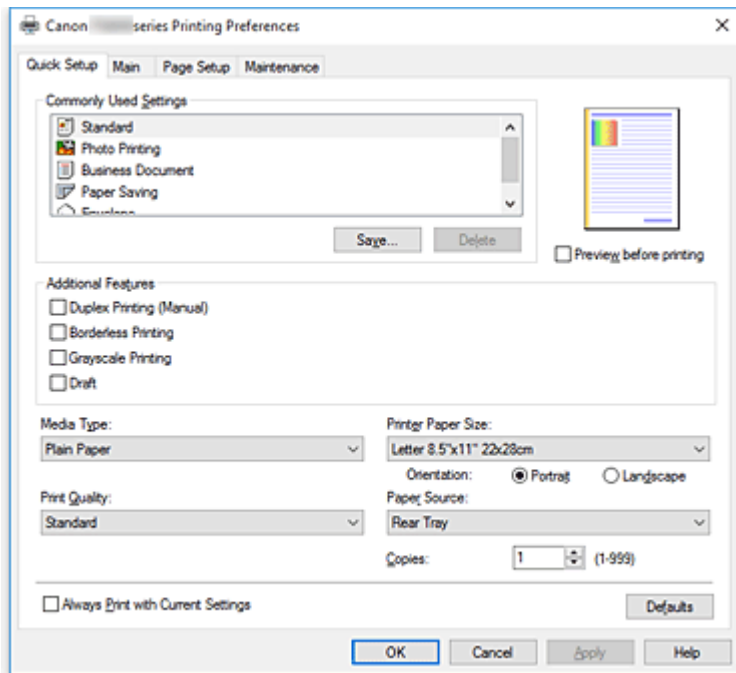
- Setup)** del controlador de impresora, es posible que el documento no se imprima con normalidad en determinadas versiones de Word.
- Cuando **Tamaño de página (Page Size)** en Word se establece en "XXX Ampliar/Reducir", es posible que el documento no se imprima con normalidad en determinadas versiones de Word. Si esto ocurre, lleve a cabo el siguiente procedimiento.
 1. Abra el cuadro de diálogo **Imprimir (Print)** de Word.
 2. Abra la [ventana de configuración del controlador de impresora](#), y en la ficha **Configurar página (Page Setup)**, establezca el **Tamaño de página (Page Size)** en el mismo tamaño de papel que haya especificado en Word.
 3. Establezca el **Formato de página (Page Layout)** que desee y, a continuación, haga clic en **Aceptar (OK)** para cerrar la ventana.
 4. Cierre el cuadro de diálogo **Imprimir (Print)** sin comenzar la impresión.
 5. Vuelva a abrir el cuadro de diálogo **Imprimir (Print)** de Word.
 6. Vuelva a abrir la ventana de configuración del controlador de impresora y haga clic en **Aceptar (OK)**.
 7. Inicie la impresión.
 - Cuando se active la impresión de mapa de bits en Adobe Illustrator (Adobe Systems Incorporated), quizás no se impriman algunos datos o la impresión tarde cierto tiempo. Imprima después de quitar la marca de la casilla de verificación **Impresión en mapa de bits (Bitmap Printing)** del cuadro de diálogo **Imprimir (Print)**.

Descripción de controlador de impresora

- **Descripción de la ficha Configuración rápida**
- **Descripción de la ficha Principal**
- **Descripción de la ficha Configurar página**
- **Descripción de la ficha Mantenimiento**
- **Descripción Monitor de estado Canon IJ**

Descripción de la ficha Configuración rápida

La ficha **Configuración rápida (Quick Setup)** sirve para registrar las configuraciones de impresión más utilizadas. Cuando se selecciona una configuración registrada, la impresora cambia automáticamente los elementos predefinidos.



Configuraciones más utilizadas (Commonly Used Settings)

Los nombres e iconos de perfiles de impresión utilizados con frecuencia se registran. Cuando se selecciona un perfil de impresión de acuerdo al propósito del documento, se aplica la configuración que coincide con el propósito.

Además, las funciones que se piensa que resultan útiles para el perfil de impresión seleccionado se muestran en **Funciones adicionales (Additional Features)**.

También puede cambiar un perfil de impresión y registrarlo con un nombre nuevo. Se puede eliminar el perfil de impresión registrado.

Puede reorganizar los perfiles arrastrando los perfiles individuales o manteniendo pulsada la tecla Control y pulsando las teclas de flecha arriba o flecha abajo.

Estándar (Standard)

Estos son los ajustes de fábrica.

Si **Tamaño de página (Page Size)**, **Orientación (Orientation)** y **Copias (Copies)** se establecieron desde el software de aplicación, dichos ajustes tienen prioridad.

Impresión de fotografías (Photo Printing)

Si selecciona este ajuste al imprimir una foto, se establecen el papel fotográfico y el tamaño de fotografía utilizados generalmente. La casilla de verificación **Impresión sin bordes (Borderless Printing)** se marca automáticamente.

Si **Orientación (Orientation)** y **Copias (Copies)** se establecieron desde el software de aplicación, dichos ajustes tienen prioridad.

Documentos profesionales (Business Document)

Seleccione este ajuste al imprimir un documento general.

Si **Tamaño de página (Page Size)**, **Orientación (Orientation)** y **Copias (Copies)** se establecieron desde el software de aplicación, dichos ajustes tienen prioridad.

Ahorro de papel (Paper Saving)

Seleccione este ajuste para ahorrar papel al imprimir un documento general. Las casillas de verificación **Impresión 2 en 1 (2-on-1 Printing)** y **Impresión a doble cara (Manual) (Duplex Printing (Manual))** se marcan automáticamente.

Si **Tamaño de página (Page Size)**, **Orientación (Orientation)** y **Copias (Copies)** se establecieron desde el software de aplicación, dichos ajustes tienen prioridad.

Sobre (Envelope)

Si elige este ajuste para imprimir un sobre, el **Tipo de soporte (Media Type)** se establece automáticamente en **Sobre (Envelope)**. En el cuadro de diálogo **Configuración del tamaño del sobre (Envelope Size Setting)**, seleccione el tamaño del sobre que desea utilizar.

»»» Nota

- La combinación de las **Funciones adicionales (Additional Features)** que se mostró para el perfil de impresión que se ha seleccionado se guardó el perfil de impresión añadido también se muestra cuando se selecciona el perfil de impresión añadido.

Guardar... (Save...)

Muestra el [Cuadro de diálogo Guardar configuraciones más utilizadas](#).

Haga clic en este botón cuando desee guardar la información que estableció en las fichas **Configuración rápida (Quick Setup)**, **Principal (Main)** y **Configurar página (Page Setup)** en **Configuraciones más utilizadas (Commonly Used Settings)**.

Eliminar (Delete)

Elimina un perfil de impresión registrado.

Seleccione el nombre de la opción que se va a eliminar de las **Configuraciones más utilizadas (Commonly Used Settings)** y haga clic en **Eliminar (Delete)**. Cuando se muestre un mensaje de confirmación, haga clic en **Aceptar (OK)** para eliminar el perfil de impresión especificado.

»»» Nota

- No se puede borrar los perfiles de impresión registrados en la configuración inicial.

Vista preliminar de configuración

La ilustración del papel muestra cómo se colocará el original sobre una hoja de papel.

Es posible comprobar una imagen de toda la disposición.

Vista preliminar antes de imprimir (Preview before printing)

Muestra el aspecto que tendrá el resultado de la impresión antes de imprimir los datos.

Active esta casilla de verificación para mostrar una vista preliminar antes de imprimir.

Desactive esta casilla de verificación si no desea mostrar una vista preliminar.

Funciones adicionales (Additional Features)

Muestra las funciones prácticas, utilizadas con frecuencia, para el perfil de impresión que ha seleccionado para **Configuraciones más utilizadas (Commonly Used Settings)** en la ficha **Configuración rápida (Quick Setup)**.

Cuando se desplaza el puntero del ratón cerca de una función que puede cambiar, se muestra una descripción de dicha función.

Para habilitar una función, marque la casilla de verificación correspondiente.

Para algunas funciones, puede establecer la configuración detallada en las fichas **Principal (Main)** y **Configurar página (Page Setup)**.

»»» Importante

- Según los perfiles de impresión, es posible que alguna función esté atenuada y que no pueda cambiarla.

Impresión 2 en 1 (2-on-1 Printing)

Imprime dos páginas del documento, una al lado de la otra, en una hoja de papel.

Para cambiar la secuencia de páginas, haga clic en la ficha **Configurar página (Page Setup)**, seleccione **Diseño de página (Page Layout)** para **Formato de página (Page Layout)** y haga clic en **Especificar... (Specify...)**. A continuación, en el [Cuadro de diálogo Impresión de diseño de página](#) que aparece, especifique el **Orden de páginas (Page Order)**.

Impresión 4 en 1 (4-on-1 Printing)

Imprime cuatro páginas del documento, una al lado de la otra, en una hoja de papel.

Para cambiar la secuencia de páginas, haga clic en la ficha **Configurar página (Page Setup)**, seleccione **Diseño de página (Page Layout)** para **Formato de página (Page Layout)** y haga clic en **Especificar... (Specify...)**. A continuación, en el [Cuadro de diálogo Impresión de diseño de página](#) que aparece, especifique el **Orden de páginas (Page Order)**.

Impresión a doble cara (Manual) (Duplex Printing (Manual))

Seleccione si desea imprimir el documento en ambas caras del papel manualmente o sólo en una.

Para cambiar el lado o los márgenes de grapado, establezca los nuevos valores en la ficha **Configurar página (Page Setup)**.

Impresión sin bordes (Borderless Printing)

Realiza la impresión sin bordes sin márgenes en el papel.

Con la función de impresión sin bordes, el documento que se va a imprimir se amplía para que sobresalga ligeramente del papel. En otras palabras, el documento se imprime sin márgenes.

Para ajustar cuánta parte del documento sobresale del papel, haga clic en la ficha **Configurar página (Page Setup)**, elija **Sin bordes (Borderless)** e introduzca el valor en **Extensión (Amount of Extension)**.

Impresión en escala de grises (Grayscale Printing)

Esta función convierte los datos en datos de monocromo al imprimir el documento.

Borrador (Draft)

Esta opción sólo es adecuada para hacer pruebas de impresión.

Girar 180 grados (Rotate 180 degrees)

Imprime el documento girando 180 grados respecto a la dirección del alimentador de papel.

El ancho del área de impresión y la extensión que se hayan configurado en otro software de aplicación se invertirán vertical y horizontalmente.

Ajuste manual del color/intensidad (Color/Intensity Manual Adjustment)

Seleccione cuando establezca el método **Corrección del color (Color Correction)** y ajustes individuales tales como **Cian (Cyan)**, **Magenta**, **Amarillo (Yellow)**, **Brillo (Brightness)**, **Intensidad (Intensity)** y **Contraste (Contrast)**, etc.

Tipo de soporte (Media Type)

Selecciona un tipo de papel de impresión.

Seleccione un tipo de soporte que coincida con el papel que se ha cargado en la impresora. Esto garantiza que la impresión se ha realizado correctamente para el papel especificado.

Tamaño del papel de la impresora (Printer Paper Size)

Selecciona el tamaño del papel cargado en la impresora.

Normalmente, el tamaño de papel se establece automáticamente según la opción de tamaño de papel de salida y el documento se imprime sin escalado.

Al establecer **Impresión 2 en 1 (2-on-1 Printing)** o **Impresión 4 en 1 (4-on-1 Printing)** en **Funciones adicionales (Additional Features)**, puede establecer manualmente el tamaño de papel con **Tamaño de página (Page Size)** en la ficha **Configurar página (Page Setup)**.

Si selecciona un tamaño de papel más pequeño que el **Tamaño de página (Page Size)**, se reducirá el tamaño del documento. Si selecciona un tamaño de papel mayor, se ampliará el tamaño del documento.

Asimismo, si selecciona **Personalizado... (Custom...)**, se abre el [Cuadro de diálogo Tamaño de papel personalizado](#) y le permite especificar cualquier dimensión vertical y horizontal del tamaño de papel.

Orientación (Orientation)

Selecciona la orientación de impresión.

Si la aplicación utilizada para crear el documento tiene una función similar, seleccione la misma orientación que haya seleccionado en dicha aplicación.

Vertical (Portrait)

Imprime el documento de forma que sus posiciones superior e inferior no cambien respecto a la dirección del alimentador de papel. Es el ajuste predeterminado.

Horizontal (Landscape)

Imprime el documento girándolo 90 grados respecto a la dirección del alimentador de papel.

Puede cambiar la dirección de rotación accediendo a la Canon IJ Printer Assistant Tool, abriendo el cuadro de diálogo **Configuración personalizada (Custom Settings)** y utilizando, a continuación, la casilla de verificación **Girar 90 grados a la izquierda si la orientación es [Horizontal] (Rotate 90 degrees left when orientation is [Landscape])**.

Para girar el documento 90 grados a la izquierda durante la impresión, seleccione la casilla de verificación **Girar 90 grados a la izquierda si la orientación es [Horizontal] (Rotate 90 degrees left when orientation is [Landscape])**.

Calidad de impresión (Print Quality)

Selecciona la calidad de impresión deseada.

Seleccione una de las siguientes para definir el nivel de calidad de impresión que resulta apropiado para la finalidad.

Para establecer el nivel de calidad de impresión individualmente, haga clic en la ficha **Principal (Main)**, y para **Calidad de impresión (Print Quality)**, seleccione **Personalizada (Custom)**. Se habilita **Establecer... (Set...)**. Haga clic en **Establecer... (Set...)** para abrir el [Cuadro de diálogo Personalizada](#) y, a continuación, especifique la configuración deseada.

Alta (High)

Otorga prioridad a la calidad de impresión en lugar de a la velocidad.

Estándar (Standard)

Imprime con una velocidad y calidad medias.

Borrador (Draft)

Esta opción sólo es adecuada para hacer pruebas de impresión.

Fuente de papel (Paper Source)

Muestra la fuente desde la que se suministra el papel.

Bandeja posterior (Rear Tray)

El papel se suministra siempre desde la bandeja posterior.

Copias (Copies)

Permiten especificar el número de copias que se desea imprimir. Puede especificar un valor de 1 a 999.

»»» Importante

- Cuando el software de aplicación utilizado para crear el documento tenga la misma función, especifique la configuración en el controlador de impresora. Sin embargo, si los resultados de impresión no son aceptables, especifique la configuración de las funciones mediante el software de aplicación.

Imprimir siempre con la configuración actual (Always Print with Current Settings)

Imprime los documentos con la configuración actual a partir de la siguiente ejecución de impresión. Cuando se selecciona esta función y, a continuación, se cierra la [ventana de configuración del controlador de impresora](#), la información que haya establecido en las fichas **Configuración rápida (Quick Setup)**, **Principal (Main)** y **Configurar página (Page Setup)** se guarda y es posible imprimir con la misma configuración a partir de la siguiente ejecución de impresión.

»»» Importante

- Si inicia sesión con un nombre de usuario distinto, la configuración que se estableció cuando se habilitó esta función no aparece reflejada en la configuración de impresión.
- Si se especificó un ajuste en el software de aplicación, dicho ajuste tiene prioridad.

Predetermin. (Defaults)

Restablece todas las configuraciones que ha cambiado a los valores predeterminados. Haga clic en este botón para devolver todos los ajustes de **Configuración rápida (Quick Setup)**, **Principal (Main)** y **Configurar página (Page Setup)** a sus valores predeterminados (ajustes de fábrica).

Cuadro de diálogo Guardar configuraciones más utilizadas (Save Commonly Used Settings)

Este cuadro de diálogo permite guardar la información que estableció en las fichas **Configuración rápida (Quick Setup)**, **Principal (Main)** y **Configurar página (Page Setup)** y agregar la información a la lista **Configuraciones más utilizadas (Commonly Used Settings)** en la ficha **Configuración rápida (Quick Setup)**.

Nombre (Name)

Introduzca el nombre del perfil de impresión que desea guardar.

Se pueden introducir hasta 255 caracteres como máximo.

El nombre aparece, con su icono asociado en la lista **Configuraciones más utilizadas (Commonly Used Settings)** de la ficha **Configuración rápida (Quick Setup)**.

Opciones... (Options...)

Abre el [Cuadro de diálogo Guardar configuraciones más utilizadas](#).

Cambia los detalles del perfil de impresión que se va a guardar.

Cuadro de diálogo Guardar configuraciones más utilizadas (Save Commonly Used Settings)

Selecciona los iconos de los perfiles de impresión que se van a registrar en las **Configuraciones más utilizadas (Commonly Used Settings)** y cambia los elementos que se van a guardar en los perfiles de impresión.

Icono (Icon)

Seleccione el icono del perfil de impresión que desea guardar.

El icono seleccionado aparece, con su nombre, en la lista **Configuraciones más utilizadas (Commonly Used Settings)** de la ficha **Configuración rápida (Quick Setup)**.

Guardar la configuración del tamaño de papel (Save the paper size setting)

Guarda el tamaño de papel en el perfil de impresión en **Configuraciones más utilizadas (Commonly Used Settings)**.

Para aplicar el tamaño de papel guardado cuando se selecciona el perfil de impresión, marque esta casilla de verificación.

Si esta casilla de verificación no está marcada, el tamaño de papel no se guarda y, en consecuencia, el ajuste de tamaño de papel no se aplica cuando se selecciona el perfil de impresión. En su lugar, la impresora imprime con el tamaño de papel especificado con el software de aplicación.

Guardar la configuración de la orientación (Save the orientation setting)

Guarda la **Orientación (Orientation)** en el perfil de impresión en **Configuraciones más utilizadas (Commonly Used Settings)**.

Para aplicar la orientación de impresión guardada cuando se selecciona el perfil de impresión, marque esta casilla de verificación.

Si esta casilla de verificación no está marcada, la orientación de impresión no se guarda y, en consecuencia, el ajuste **Orientación (Orientation)** no se aplica cuando se selecciona el perfil de impresión. En su lugar, la impresora imprime con la orientación de impresión especificada con el software de aplicación.

Guardar la configuración del número de copias (Save the copies setting)

Guarda la opción de **Copias (Copies)** en el perfil de impresión en **Configuraciones más utilizadas (Commonly Used Settings)**.

Para aplicar la opción de copias guardado cuando se selecciona el perfil de impresión, marque esta casilla de verificación.

Si esta casilla de verificación no está marcada, la opción de copias no se guarda y, en consecuencia, el ajuste **Copias (Copies)** no se aplica cuando se selecciona el perfil de impresión. En su lugar, la impresora imprime con la opción de copias especificada con el software de aplicación.

Cuadro de diálogo Tamaño de papel personalizado (Custom Paper Size)

Este cuadro de diálogo permite especificar el tamaño (ancho y altura) del papel personalizado.

Unidades (Units)

Seleccione la unidad para especificar el tamaño de papel definido por el usuario.

Tamaño de papel (Paper Size)

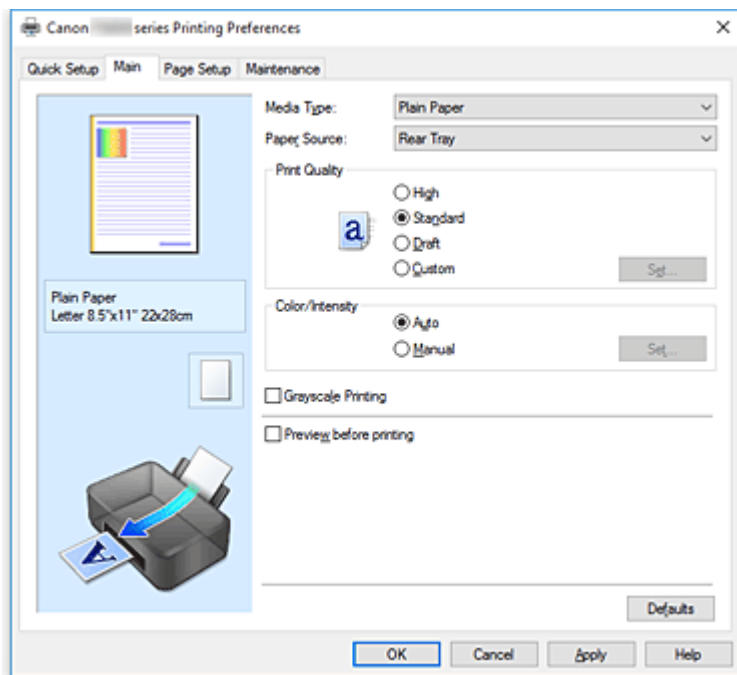
Especifica el **Ancho (Width)** y la **Altura (Height)** del papel personalizado. La medida se muestra según las unidades especificadas en **Unidades (Units)**.

Temas relacionados

- [Configuración de la impresión básica](#)
- [Configuración de la Orientación y del Tamaño de página](#)
- [Configuración del número de copias y del orden de impresión](#)
- [Ejecución de la impresión sin bordes](#)
- [Impresión a doble cara](#)
- [Configuración de la impresión de sobres](#)
- [Impresión en postales](#)
- Visualización de los resultados de impresión antes de imprimir
- Configuración de las dimensiones del papel (tamaño personalizado)
- Impresión en monocromo de documentos en color
- Especificación de la corrección del color
- Ajuste del balance del color
- Ajuste del balance del color utilizando patrones de muestra (controlador de impresora)
- Ajuste del brillo
- Ajuste de la intensidad
- Ajuste del contraste
- Ajuste de la intensidad/contraste utilizando patrones de muestra (controlador de impresora)
- [Registro de un perfil de impresión utilizado con frecuencia](#)

Descripción de la ficha Principal

La ficha **Principal (Main)** permite crear una configuración de impresión básica según el tipo de soporte. A menos que sea necesaria una impresión especial, la impresión normal se puede ejecutar definiendo únicamente los elementos de esta ficha.



Vista preliminar de configuración

La ilustración del papel muestra cómo se colocará el original sobre una hoja de papel. Es posible comprobar una imagen de toda la disposición.

Tipo de soporte (Media Type)

Selecciona un tipo de papel de impresión.

Seleccione un tipo de soporte que coincida con el papel que se ha cargado en la impresora. Esto garantiza que la impresión se ha realizado correctamente para el papel especificado.

Fuente de papel (Paper Source)

Muestra la fuente desde la que se suministra el papel.

Bandeja posterior (Rear Tray)

El papel se suministra siempre desde la bandeja posterior.

Calidad de impresión (Print Quality)

Selecciona la calidad de impresión deseada.

Seleccione una de las siguientes para definir el nivel de calidad de impresión que resulta apropiado para la finalidad.

»»» Importante

- Dependiendo de la configuración de **Tipo de soporte (Media Type)**, es posible producir los mismos resultados de impresión incluso si se cambia la **Calidad de impresión (Print Quality)**.

Alta (High)

Otorga prioridad a la calidad de impresión en lugar de a la velocidad.

Estándar (Standard)

Imprime con una velocidad y calidad medias.

Borrador (Draft)

Esta opción sólo es adecuada para hacer pruebas de impresión.

Personalizado (Custom)

Seleccione esta opción cuando desee establecer el nivel de calidad de impresión individualmente.

Establecer... (Set...)

Seleccione **Personalizada (Custom)** para **Calidad de impresión (Print Quality)** para habilitar este botón.

Abra el [Cuadro de diálogo Personalizada](#). A continuación, puede establecer individualmente el nivel de calidad de impresión.

Color/Intensidad (Color/Intensity)

Selecciona el método de ajuste de color.

Auto

Cian (Cyan), Magenta, Amarillo (Yellow), Brillo (Brightness), Intensidad (Intensity) y Contraste (Contrast), etc. se ajustan automáticamente.

Manual

Seleccione cuando establezca las configuraciones individuales, como, por ejemplo **Cian (Cyan), Magenta, Amarillo (Yellow), Brillo (Brightness), Intensidad (Intensity), Contraste (Contrast)**, etc. y el método de **Corrección del color (Color Correction)**.

Establecer... (Set...)

Seleccione **Manual** para **Color/Intensidad (Color/Intensity)** para habilitar este botón.

En el cuadro de diálogo **Ajuste manual del color (Manual Color Adjustment)**, puede ajustar la configuración de color individual como, por ejemplo, **Cian (Cyan), Magenta, Amarillo (Yellow), Brillo (Brightness), Intensidad (Intensity) y Contraste (Contrast)** en la ficha [Ajuste de color \(Color Adjustment\)](#), y seleccionar el método de **Corrección del color** en la ficha [Coincidencia](#).

»» Nota

- Si desea utilizar un perfil ICC para ajustar colores, utilice el cuadro de diálogo **Ajuste manual del color (Manual Color Adjustment)** para establecer el perfil.

Impresión en escala de grises (Grayscale Printing)

Esta función convierte los datos en datos de monocromo al imprimir el documento.

Active esta casilla de verificación para imprimir en monocromo un documento en color.

Vista preliminar antes de imprimir (Preview before printing)

Muestra el aspecto que tendrá el resultado de la impresión antes de imprimir los datos.

Active esta casilla de verificación para mostrar una vista preliminar antes de imprimir.

Predetermin. (Defaults)

Restablece todas las configuraciones que ha cambiado a los valores predeterminados.

Al hacer clic en este botón se restaura toda la configuración en la pantalla actual a los valores predeterminados (ajustes de fábrica).

Cuadro de diálogo Personalizada (Custom)

Establezca el nivel de calidad y seleccione la calidad de impresión deseada.

Calidad

Puede utilizar la barra deslizante para ajustar el nivel de calidad de la impresión.

►►► Importante

- Algunos niveles de calidad de impresión no se pueden seleccionar en función de la configuración de **Tipo de soporte (Media Type)**.

►►► Nota

- Los modos de calidad de impresión **Alta (High)**, **Estándar (Standard)** o **Borrador (Draft)** están vinculados a la barra deslizante. Por tanto, cuando se desplaza la barra deslizante la calidad y el valor correspondiente se muestran a la izquierda. Es igual que cuando se selecciona el botón de radio correspondiente para **Calidad de impresión (Print Quality)** en la ficha **Principal (Main)**.

Ficha Ajuste de color (Color Adjustment)

Esta ficha le permite ajustar el balance de color cambiando la configuración de las opciones **Cian (Cyan)**, **Magenta**, **Amarillo (Yellow)**, **Brillo (Brightness)**, **Intensidad (Intensity)** y **Contraste (Contrast)**.

Vista preliminar

Muestra el efecto del ajuste de color.

El color y el brillo cambian cuando se ajusta cada elemento.

►►► Nota

- Cuando la casilla de verificación **Impresión en escala de grises (Grayscale Printing)** está activada el gráfico aparece en monocromo.

Ver patrón de color (View Color Pattern)

Muestra un patrón para comprobar los cambios de color producidos por el ajuste de color.

Si desea mostrar la imagen de vista preliminar con un patrón de color, active esta casilla de verificación.

Cian (Cyan) / Magenta / Amarillo (Yellow)

Ajusta las intensidades de **Cian (Cyan)**, **Magenta** y **Amarillo (Yellow)**.

Al mover el control deslizante a la derecha el color se intensifica, y al moverlo hacia la izquierda se atenúa.

También se puede introducir directamente un valor vinculado al control deslizante. Introduzca un valor dentro del intervalo de -50 a 50.

Este ajuste cambia la cantidad relativa de tinta en cada color utilizado, lo que modifica el balance de color total del documento. Utilice su aplicación si desea modificar mucho el balance del color total.

Use el controlador de impresora únicamente cuando desee ajustar ligeramente el balance del color.

►►► Importante

- Cuando se marca la opción **Impresión en escala de grises (Grayscale Printing)** en la ficha **Principal (Main)**, **Cian (Cyan)**, **Magenta** y **Amarillo (Yellow)** aparecen atenuados y no están disponibles.

Brillo (Brightness)

Seleccione el brillo de la impresión.

No se puede cambiar el nivel de blanco y negro puro. No obstante, se puede modificar el brillo de los colores entre blanco y negro.

Intensidad (Intensity)

Ajusta la intensidad total de la impresión.

Al desplazar el control deslizante hacia la derecha, se aumenta la intensidad, mientras que al desplazarlo hacia la izquierda, se disminuye.

También se puede introducir directamente un valor vinculado al control deslizante. Introduzca un valor dentro del intervalo de -50 a 50.

Contraste (Contrast)

Ajusta el contraste entre zonas claras y oscuras en la imagen que se va a imprimir.

Al desplazar el control deslizante hacia la derecha, aumentará el contraste y, al desplazarlo hacia la izquierda, disminuirá.

También se puede introducir directamente un valor vinculado al control deslizante. Introduzca un valor dentro del intervalo de -50 a 50.

Imprimir un patrón para ajuste de color

Cuando se cambia el balance del color o la intensidad/contraste, la función de impresión de patrón imprime una lista de los resultados del ajuste junto con los valores del ajuste.

Seleccione esta función al imprimir un patrón para el ajuste del color.

Preferencias de impresión de patrón... (Pattern Print preferences...)

Seleccione **Imprimir un patrón para ajuste de color (Print a pattern for color adjustment)** para activar este botón.

Se abre el [Impresión de patrón](#) y le permite establecer la configuración de impresión de patrones.

Cuadro de diálogo Impresión de patrón (Pattern Print)

Realiza la configuración para impresión de patrones que permite comprobar el balance de color y la intensidad/contraste de documentos.

Parámetros de ajuste (Parameters to Adjust)

Seleccione el elemento que desea comprobar mediante impresión de patrones.

Cian/Magenta/Amarillo (Cyan/Magenta/Yellow)

Imprime un patrón que permite comprobar el balance de cian/magenta/amarillo.

»»» Importante

- Cuando se marca la opción **Impresión en escala de grises (Grayscale Printing)** en la ficha **Principal (Main)**, **Cian/Magenta/Amarillo (Cyan/Magenta/Yellow)** aparece atenuado y no está disponible.

Intensidad/Contraste (Intensity/Contrast)

Imprime un patrón que permite comprobar el balance de intensidad/contraste.

Tamaño del papel de la impresora (Printer Paper Size)

Selecciona el tamaño del papel que va a utilizar para imprimir el patrón.

Este ajuste está vinculado a **Tamaño del papel de la impresora (Printer Paper Size)** en la ficha **Configurar página (Page Setup)**.

»»» Nota

- Dependiendo del tamaño del papel seleccionado en la ficha **Configurar página (Page Setup)**, puede que haya tamaños que no se puedan seleccionar.

Cantidad de ejemplos de patrón (Amount of Pattern Instances)

Establece el número de patrones que se van a imprimir.

Puede seleccionar entre **Máxima (Largest)**, **Grande (Large)** y **Pequeña (Small)**. Cuando se selecciona un tamaño de patrón, el número de patrones que se puede imprimir es como sigue:

»» Nota

- Las opciones **Máxima (Largest)** y **Grande (Large)** no se pueden seleccionar cuando se seleccionan determinados tamaños de papel o tamaños de papel de salida.
- La vista preliminar de configuración en la ficha **Principal (Main)** muestra una imagen que permite comprobar todo el diseño.

Máxima (Largest)

Cian/Magenta/Amarillo (Cyan/Magenta/Yellow) 37

Intensidad/Contraste (Intensity/Contrast) 49

Grande (Large)

Cian/Magenta/Amarillo (Cyan/Magenta/Yellow) 19

Intensidad/Contraste (Intensity/Contrast) 25

Pequeña (Small)

Cian/Magenta/Amarillo (Cyan/Magenta/Yellow) 7

Intensidad/Contraste (Intensity/Contrast) 9

Variación de color entre ejemplos (Color Variation Between Instances)

Define la cantidad de cambio de color entre los patrones relacionados.

Seleccione entre **Grande (Large)**, **Media (Medium)** y **Pequeña (Small)**. **Grande (Large)** genera una gran cantidad de cambios y **Pequeña (Small)** genera una pequeña cantidad de cambio.

»» Nota

- La opción **Grande (Large)** corresponde aproximadamente al doble del tamaño de **Media (Medium)**, y **Pequeña (Small)** es aproximadamente la mitad del tamaño de **Media (Medium)**.

Ficha Coincidencia (Matching)

Permite seleccionar el método de ajuste de colores para que coincidan con el tipo de documento que se desea imprimir.

Corrección del color (Color Correction)

Permite seleccionar **Coincid. Controlador (Driver Matching)**, **ICM** o **Ninguno (None)** para que coincidan con la finalidad de la operación de impresión.

»» Importante

- Cuando la opción **Impresión en escala de grises (Grayscale Printing)** está marcada en la ficha **Principal (Main)**, la opción **Corrección del color (Color Correction)** aparecerá atenuada y no estará disponible.

Coincid. Controlador (Driver Matching)

Con Canon Digital Photo Color, puede imprimir datos sRGB con los tintes de color más utilizados.

ICM

Ajusta los colores con el perfil ICC durante la impresión.

»» Importante

- Si el software de aplicación se ha definido de modo que ICM está deshabilitado, **ICM** no está disponible para **Corrección del color (Color Correction)** y es posible que la impresora no pueda imprimir correctamente los datos de imagen.

Ninguno (None)

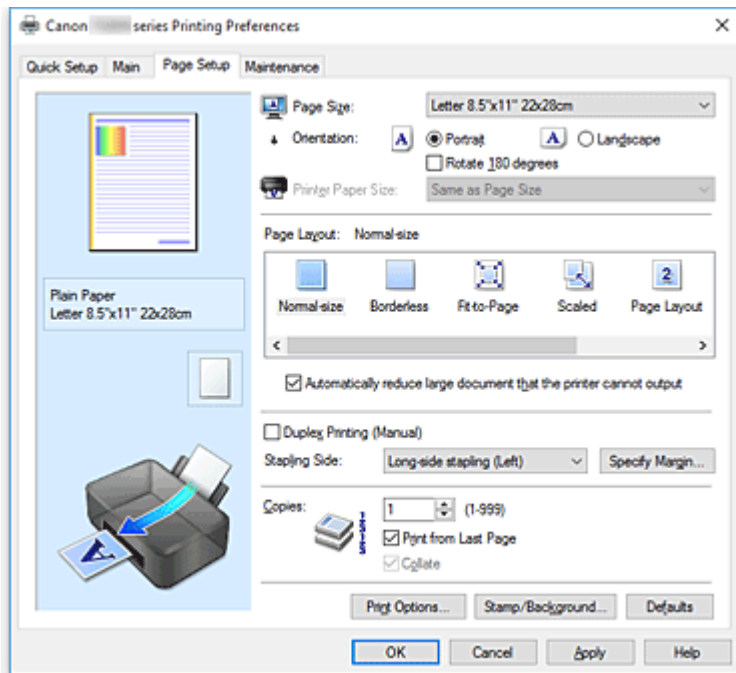
Deshabilita el ajuste de color con el controlador de la impresora.

Temas relacionados

- Definición del nivel de la Calidad de impresión (Personalizada)
- Ajuste del balance del color
- Ajuste del brillo
- Ajuste de la intensidad
- Ajuste del contraste
- Ajuste del balance del color utilizando patrones de muestra (controlador de impresora)
- Ajuste de la intensidad/contraste utilizando patrones de muestra (controlador de impresora)
- Especificación de la corrección del color
- Ajuste del color con el controlador de impresora
- Impresión con perfiles ICC
- Impresión en monocromo de documentos en color
- Visualización de los resultados de impresión antes de imprimir

Descripción de la ficha Configurar página

La ficha **Configurar página (Page Setup)** permite determinar cómo se va a organizar un documento en el papel. Además, esta ficha permite definir el número de copias y el orden de impresión. Si la aplicación con la que se haya creado el documento dispone de una función similar, defínalo en la aplicación.



Vista preliminar de configuración

La ilustración del papel muestra cómo se colocará el original sobre una hoja de papel. Es posible comprobar una imagen de toda la disposición.

Tamaño de página (Page Size)

Selecciona un tamaño de página.

Asegúrese de seleccionar los mismos tamaños de página seleccionados en la aplicación.

Si selecciona **Personalizado... (Custom...)**, se abre el [Cuadro de diálogo Tamaño de papel personalizado](#) y le permite especificar cualquier dimensión vertical y horizontal del tamaño de papel.

Orientación (Orientation)

Selecciona la orientación de impresión.

Si la aplicación utilizada para crear el documento tiene una función similar, seleccione la misma orientación que haya seleccionado en dicha aplicación.

Vertical (Portrait)

Imprime el documento de forma que sus posiciones superior e inferior no cambien respecto a la dirección del alimentador de papel. Es el ajuste predeterminado.

Horizontal (Landscape)

Imprime el documento girándolo 90 grados respecto a la dirección del alimentador de papel.

Puede cambiar la dirección de rotación accediendo a la Canon IJ Printer Assistant Tool, abriendo el cuadro de diálogo **Configuración personalizada (Custom Settings)** y utilizando, a continuación, la casilla de verificación **Girar 90 grados a la izquierda si la orientación es [Horizontal] (Rotate 90 degrees left when orientation is [Landscape])**.

Para girar el documento 90 grados a la izquierda durante la impresión, seleccione la casilla de

verificación **Girar 90 grados a la izquierda si la orientación es [Horizontal] (Rotate 90 degrees left when orientation is [Landscape]).**

Girar 180 grados (Rotate 180 degrees)

Imprime el documento girando 180 grados respecto a la dirección del alimentador de papel.

El ancho del área de impresión y la extensión que se hayan configurado en otro software de aplicación se invertirán vertical y horizontalmente.

Tamaño del papel de la impresora (Printer Paper Size)

Selecciona el tamaño del papel cargado en la impresora.

El ajuste predeterminado es **Igual que Tamaño de página (Same as Page Size)** para llevar a cabo una impresión de tamaño normal.

Puede seleccionar un tamaño de papel de impresora al seleccionar **Ajuste a la página (Fit-to-Page)**, **A escala (Scaled)**, **Diseño de página (Page Layout)**, **Mosaico/Póster (Tiling/Poster)** o **Cuadernillo (Booklet)** para **Formato de página (Page Layout)**.

Si selecciona un tamaño de papel más pequeño que el **Tamaño de página (Page Size)**, se reducirá el tamaño del documento. Si selecciona un tamaño de papel mayor, se ampliará el tamaño del documento.

Asimismo, si selecciona **Personalizado... (Custom...)**, se abre el [Cuadro de diálogo Tamaño de papel personalizado](#) y le permite especificar cualquier dimensión vertical y horizontal del tamaño de papel.

Formato de página (Page Layout)

Selecciona el tamaño del documento que desea imprimir y el tipo de impresión.

Tamaño normal (Normal-size)

Éste es el método de impresión normal. Selecciónelo cuando no desee especificar el formato de página.

Reducir automáticamente documentos grandes que no admite la impresora (Automatically reduce large document that the printer cannot output)

Si la impresora no puede imprimir el tamaño de papel de un documento, la impresora puede reducir automáticamente el tamaño cuando imprime el documento.

Marque esta casilla de verificación para reducir el tamaño al imprimir el documento.

Sin bordes (Borderless)

Para elegir si va a imprimir en una página completa sin márgenes de página o con márgenes de página.

En la impresión sin bordes, los originales se amplían para que sobresalgan ligeramente del papel. De esta forma, se puede realizar la impresión sin márgenes (bordes).

Utilice **Extensión (Amount of Extension)** para ajustar cuánto se extiende el documento fuera del papel durante la impresión sin bordes.

Extensión (Amount of Extension)

Ajusta cuánto se extiende el documento fuera del papel durante la impresión sin bordes.

El desplazamiento del control deslizante hacia la derecha aumenta la extensión y permite la impresión sin bordes sin ningún problema.

El desplazamiento del control deslizante hacia la izquierda reduce la extensión y amplía el rango del documento que se va a imprimir.

Ajuste a la página (Fit-to-Page)

Esta función permite ampliar o reducir documentos automáticamente para ajustarlos al tamaño de papel cargado en la impresora sin cambiar el tamaño de papel especificado en el software de la aplicación.

A escala (Scaled)

Los documentos se pueden ampliar o reducir para imprimirlos.

Especifique el tamaño en **Tamaño del papel de la impresora (Printer Paper Size)** o especifique la proporción de escala en el cuadro **Escala (Scaling)**.

Escala (Scaling)

Especifica una proporción de ampliación o reducción para el documento que se desea imprimir.

Formato de página (Page Layout)

En una cara de la hoja de papel se pueden imprimir varias páginas del documento.

Especificar... (Specify...)

Abre el [Cuadro de diálogo Impresión de diseño de página](#).

Haga clic en este botón para definir los detalles sobre la impresión de diseño de página.

Mosaico/Póster (Tiling/Poster)

Esta función permite ampliar los datos de la imagen y dividir los datos ampliados entre varias páginas que imprimir. También puede pegar entre sí estas hojas de papel para crear un formato impreso grande como, por ejemplo, un póster.

Especificar... (Specify...)

Abre el [Cuadro de diálogo Impresión de mosaico/póster](#).

Haga clic en este botón para definir los detalles sobre la impresión de mosaico/póster.

Cuadernillo (Booklet)

La función de impresión en cuadernillo permite imprimir datos para confeccionar un cuadernillo. Los datos se imprimen en las dos caras del papel. Este tipo de impresión garantiza que las páginas se pueden intercalar adecuadamente, siguiendo el orden del número de página, cuando llega el momento de doblarlas y graparlas en el centro.

Especificar... (Specify...)

Abre el [Cuadro de diálogo Impresión en cuadernillo](#).

Haga clic en este botón para definir los detalles sobre la impresión en cuadernillo.

Impresión a doble cara (Manual) (Duplex Printing (Manual))

Seleccione si desea imprimir el documento en ambas caras del papel manualmente o sólo en una. Marque esta casilla de verificación para imprimir el documento en ambas caras.

Esta función se puede utilizar solo cuando se selecciona **Papel normal (Plain Paper)** para **Tipo de soporte (Media Type)** y se selecciona **Tamaño normal (Normal-size)**, **Ajuste a la página (Fit-to-Page)**, **A escala (Scaled)** o **Diseño de página (Page Layout)**.

Lado de grapado (Stapling Side)

Selecciona la posición del margen de grapado.

La impresora analiza los ajustes de **Orientación (Orientation)** y **Formato de página (Page Layout)** y selecciona automáticamente la mejor posición del margen de grapado. Marque **Lado de grapado (Stapling Side)** y seleccione un valor de la lista para cambiarlo.

Especificar margen... (Specify Margin...)

Abre el [Cuadro de diálogo Especificar margen](#).

Puede especificar el ancho del margen.

Copias (Copies)

Permiten especificar el número de copias que se desea imprimir. Puede especificar un valor de 1 a 999.

»»» Importante

- Si la aplicación utilizada para crear el documento tiene una función similar, especifique el número de copias con la aplicación sin especificarlo aquí.

Imprimir desde la última página (Print from Last Page)

Marque la casilla de verificación si desea imprimir ordenadamente desde la última página. Si lo hace, no necesitará colocar las páginas en el orden correcto después de imprimir.

Desmarque la casilla de verificación para imprimir el documento en orden normal, empezando desde la primera página.

Intercalar (Collate)

Marque esta casilla de verificación para agrupar las páginas de cada copia cuando desee imprimir varias copias.

Desmarque esta casilla si desea imprimir juntas todas las páginas que tengan el mismo número de página.

»»» Importante

- Cuando el software de aplicación utilizado para crear el documento tenga la misma función, dé prioridad a la configuración del controlador de impresora. Sin embargo, si los resultados de impresión no son aceptables, especifique la configuración de las funciones mediante el software de aplicación. Si especifica el número de copias y el orden de impresión tanto con la aplicación como con el controlador de impresora, es posible que el número de copias sea la multiplicación de las dos configuraciones o que el orden de impresión especificado no se active.

Opciones de impresión... (Print Options...)

Abre el [Cuadro de diálogo Opciones de impresión](#).

Cambia la configuración detallada del controlador de impresora para datos de impresión enviados desde la aplicación.

Sello/Fondo... (Stamp/Background...)

Se abre el cuadro de diálogo [Sello/Fondo](#).

La función **Sello (Stamp)** permite imprimir un texto o un mapa de bits como sello por encima o por detrás de los datos del documento. También permite imprimir la fecha, la hora y el nombre de usuario.

La función **Fondo (Background)** permite imprimir una ilustración atenuada detrás de los datos del documento.

Es posible que las opciones **Sello (Stamp)** y **Fondo (Background)** en función del entorno.

Cuadro de diálogo Tamaño de papel personalizado (Custom Paper Size)

Este cuadro de diálogo permite especificar el tamaño (ancho y altura) del papel personalizado.

Unidades (Units)

Seleccione la unidad para especificar el tamaño de papel definido por el usuario.

Tamaño de papel (Paper Size)

Especifica el **Ancho (Width)** y la **Altura (Height)** del papel personalizado. La medida se muestra según las unidades especificadas en **Unidades (Units)**.

Cuadro de diálogo Impresión de diseño de página (Page Layout Printing)

Este cuadro de diálogo permite seleccionar el número de páginas del documento que se desean colocar en una hoja de papel, el orden de las páginas y si se va a imprimir una línea de borde alrededor de cada página de documento.

La configuración especificada en este cuadro de diálogo se puede confirmar en la vista preliminar de configuración en el controlador de la impresora.

Icono Vista preliminar

Muestra la configuración realizada en el cuadro de diálogo **Impresión de diseño de página (Page Layout Printing)**.

Ahora puede comprobar el aspecto que tendrá el resultado de la impresión antes de imprimir los datos.

Formato de página (Page Layout)

Especifica el número de páginas de documento que desee ajustar en una hoja.

Orden de páginas (Page Order)

Especifica la orientación del documento que se desea imprimir en una hoja de papel.

Borde de página (Page Border)

Imprime una línea de borde de página alrededor de cada página del documento.

Marque esta casilla de verificación para imprimir la línea de borde de página.

Cuadro de diálogo Impresión de mosaico/póster (Tiling/Poster Printing)

Este cuadro de diálogo permite seleccionar el tamaño de la imagen que se va a imprimir. También puede realizar ajustes para líneas de corte y marcadores de pegado que resultan prácticos a la hora de pegar las páginas para formar un póster.

La configuración especificada en este cuadro de diálogo se puede confirmar en la vista preliminar de configuración en el controlador de la impresora.

Icono Vista preliminar

Muestra la configuración del cuadro de diálogo **Impresión de mosaico/póster (Tiling/Poster Printing)**.

Ahora puede comprobar el aspecto que tendrá el resultado de la impresión.

Div. Imágenes (Image Divisions)

Seleccione el número de divisiones (vertical x horizontal).

A medida que aumenta el número de divisiones, aumenta también el número de hojas que se utilizan para imprimir. Si va a pegar páginas para crear un póster, aumentar el número de divisiones le permitirá crear un póster más grande.

Imprimir "Cortar/Pegar" en márgenes (Print "Cut/Paste" in margins)

Especifica si desea imprimir las palabras "Cortar" y "Pegar" en los márgenes. Estas palabras sirven como guía a la hora de pegar las páginas para formar un póster.

Marque esta casilla de verificación para imprimir las palabras.

»»» Nota

- Es posible que esta función no esté disponible según el entorno.

Imprimir líneas de "Cortar/Pegar" en márgenes (Print "Cut/Paste" lines in margins)

Especifica si desea imprimir las líneas de corte que sirven como guía a la hora de pegar las páginas para formar un póster.

Marque esta casilla de verificación para imprimir las líneas de corte.

Imprimir intervalo de páginas (Print page range)

Permite especificar el intervalo de impresión. Normalmente se selecciona **Todo (All)**.

Seleccione **Páginas (Pages)** para especificar una página o intervalo específico.

»»» Nota

- Si algunas de las páginas no se han impreso correctamente, especifique las páginas que no hace falta imprimir haciendo clic sobre ellas en la vista preliminar de configuración de la ficha **Configurar página (Page Setup)**. Esta vez se imprimirán solo las páginas mostradas en la pantalla.

Cuadro de diálogo Impresión en cuadernillo (Booklet Printing)

Este cuadro de diálogo permite establecer cómo encuadernar el documento como cuadernillo. En este cuadro de diálogo también se pueden definir las opciones para imprimir solo en una cara e imprimir un borde de página.

La configuración especificada en este cuadro de diálogo se puede confirmar en la vista preliminar de configuración en el controlador de la impresora.

Icono Vista preliminar

Muestra la configuración realizada en el cuadro de diálogo **Impresión en cuadernillo (Booklet Printing)**.

Puede comprobar el aspecto que tendrá el documento al imprimirlo como cuadernillo.

Margen de grapado (Margin for stapling)

Especifica el lado del cuadernillo que se va a grapar.

Introducir página en blanco (Insert blank page)

Selecciona si se va a imprimir el documento en una cara o en ambas caras del cuadernillo.

Marque esta casilla de verificación para imprimir el documento en una cara del cuadernillo y seleccione en la lista la cara que desee dejar en blanco.

Margen (Margin)

Especifica la anchura del margen de grapado.

El ancho que especifique constituirá el margen de grapado desde el centro de la página.

Borde de página (Page Border)

Imprime una línea de borde de página alrededor de cada página del documento.

Marque esta casilla de verificación para imprimir la línea de borde de página.

Cuadro de diálogo Especificar margen (Specify Margin)

Este cuadro de diálogo permite especificar el ancho del margen de la cara que se desea grapar. Si un documento no cabe en una página, el documento se reduce al imprimirlo.

Margen (Margin)

Especifica la anchura del margen de grapado.

El ancho de la cara especificado por **Lado de grapado (Stapling Side)** se convierte en el margen de grapado.

Cuadro de diálogo Opciones de impresión (Print Options)

Realiza cambios para imprimir los datos que se envían a la impresora.

Es posible que esta función no esté disponible según el entorno.

Es necesario desactivar ICM desde el software de la aplicación (Disable ICM required from the application software)

Deshabilita la función ICM requerida desde el software de la aplicación.

Cuando un software de aplicación utiliza el ICM de Windows para imprimir datos, es posible que se generen colores no previstos o que disminuya la velocidad de impresión. Si se producen estos problemas, la activación de esta casilla de verificación podría solucionar los problemas.

»»» Importante

- En situaciones normales desmarque esta casilla de verificación.
- Esta función no sirve cuando se selecciona **ICM** para **Corrección del color (Color Correction)** en la ficha **Coincidencia (Matching)** del cuadro de diálogo **Ajuste manual del color (Manual Color Adjustment)**.

Desactivar la configuración de perfil de color del software de la aplicación (Disable the color profile setting of the application software)

Al marcar esta casilla de verificación se deshabilita la información del perfil de color establecido en el software de la aplicación.

Cuando la información del perfil de color establecida en el software de la aplicación se envía al controlador de la impresora, es posible que la impresión resultante contenga colores inesperados. Si esto ocurre, al marcar esta casilla de verificación se podría resolver el problema.

»»» Importante

- Incluso cuando esta casilla de verificación está marcada, solo alguna de la información del perfil de color está deshabilitada y el perfil de color se puede seguir utilizando para imprimir.
- En situaciones normales desmarque esta casilla de verificación.

Desagrupar papeles (Ungroup Papers)

Especifica el método de visualización del **Tipo de soporte (Media Type)**, **Tamaño de página (Page Size)** y **Tamaño del papel de la impresora (Printer Paper Size)**.

Para mostrar los elementos por separado, seleccione la casilla de verificación.

Para mostrar los elementos en grupo, desmarque la casilla de verificación.

No permitir que el software de la aplicación comprima los datos de impresión (Do not allow application software to compress print data)

Está prohibida la compresión de los datos de impresión de el software de la aplicación.

Si en el resultado de impresión faltan datos de imagen o aparecen colores no deseados, al seleccionar esta casilla de verificación es posible que se solucione el problema.

»»» Importante

- En situaciones normales desmarque esta casilla de verificación.

Imprimir tras crear datos de impresión por página (Print after creating print data by page)

Los datos de impresión se crean en unidades de página y la impresión comienza después de que el procesamiento de una página de datos de impresión se haya completado.

Si un documento impreso contiene resultados no deseados tales como líneas, al seleccionar esta casilla de verificación es posible que mejoren los resultados.

»»» Importante

- En situaciones normales desmarque esta casilla de verificación.

Prevención de pérdida de datos de impresión (Prevention of Print Data Loss)

Puede reducir el tamaño de los datos de impresión que se crearon con el software de la aplicación y, a continuación, imprimir los datos.

Dependiendo de el software de la aplicación utilizada, es posible que los datos de imagen aparezcan recortados o que no se impriman correctamente. En tales casos, seleccione **Sí (On)**. Si no va a utilizar esta función, seleccione **No (Off)**.

»»» Importante

- Es posible que al utilizar esta función, la calidad de impresión se reduzca dependiendo de los datos de impresión.

Unidad de procesamiento de los datos de impresión (Unit of Print Data Processing)

Selecciona la unidad de procesamiento de los datos de impresión que se van a enviar a la impresora.

Seleccione **Recomendado (Recommended)** en circunstancias normales.

»»» Importante

- Para determinados ajustes es posible que se utilice una gran cantidad de memoria. No cambie la configuración si el equipo tiene poca memoria.

Imprimir con (Print With)

Especifique el depósito de tinta que se utilizará de los depósitos de tinta instalados.

Seleccione entre **Todos los colores (Predeterminada) (All Colors (Default))** y **Sólo tinta negra (Black Only)**.

»»» Importante

- Si se especifica la configuración siguiente, **Sólo tinta negra (Black Only)** no funciona porque la impresora utiliza un depósito de tinta distinto de negro para imprimir documentos.
 - Al seleccionar cualquier opción distinta de **Papel normal (Plain Paper)**, **Sobre (Envelope)**, **Ink Jet Hagaki (A)**, **Hagaki K (A)**, **Hagaki (A)** o **Hagaki** en **Tipo de soporte (Media Type)** de la ficha **Principal (Main)**
 - Al seleccionar **Sin bordes (Borderless)** en la lista **Formato de página (Page Layout)** de la ficha **Configurar página (Page Setup)**
- No extraiga el depósito de tinta que no se utilice. La impresión no se puede ejecutar cuando falta algún depósito de tinta.

Cuadro de diálogo Sello/Fondo (Stamp/Background)

El cuadro de diálogo **Sello/Fondo (Stamp/Background)** permite imprimir un sello y/o un fondo por encima o por detrás de las páginas del documento. Además de los pre-registrados, puede registrar y utilizar su sello y fondo originales.

Sello (Stamp)

La impresión de sello es una función que imprime un sello sobre un documento.

Marque esta casilla de verificación y seleccione un título de la lista para imprimir un sello.

Definir sello... (Define Stamp...)

Abre el [cuadro de diálogo Configuración del sello](#).

Puede comprobar los detalles de un sello seleccionado o guardar un nuevo sello.

Colocar sello sobre el texto (Place stamp over text)

Establece cómo se va a imprimir el sello en el documento.

Marque la casilla de verificación **Sello (Stamp)** para habilitarlo.

Marque esta casilla de verificación, para imprimir un sello sobre la página de documento impresa. Es posible que los datos impresos queden ocultos detrás del sello.

Desmarque esta casilla de verificación para imprimir los datos del documento sobre el sello. Es posible que los datos impresos no quedarán ocultos detrás del sello. No obstante, las partes del sello que se superponen con el documento podrían estar ocultas.

Sello sólo en la primera página (Stamp first page only)

Selecciona si el sello se va a imprimir solo en la primera página o en todas las páginas cuando el documento tiene dos páginas o más.

Marque la casilla de verificación **Sello (Stamp)** para habilitarlo.

Marque esta casilla de verificación para imprimir un sello solo en la primera página.

Fondo (Background)

La impresión de fondo es una función que permite imprimir una ilustración o un objeto similar (mapa de bits) detrás del documento.

Marque esta casilla de verificación para imprimir un fondo y seleccione un título de la lista.

Seleccionar fondo... (Select Background...)

Abre el [cuadro de diálogo Configuración del fondo](#).

Puede registrar un mapa de bits como fondo y cambiar el método de diseño y la intensidad del fondo seleccionado.

Fondo sólo en la primera página (Background first page only)

Selecciona si el fondo se va a imprimir solo en la primera página o en todas las páginas cuando el documento tiene dos páginas o más.

Marque la casilla de verificación **Fondo (Background)** para habilitarlo.

Marque esta casilla de verificación para imprimir un fondo solo en la primera página.

Ficha Sello (Stamp)

La ficha Sello le permite establecer el texto y el archivo de mapa de bits (.bmp) que se va a utilizar para un sello.

Ventana Vista previa

Muestra el estado del sello configurado en cada ficha.

Tipo de sello (Stamp Type)

Especifica el tipo de sello.

Seleccione **Texto (Text)** para crear un sello con caracteres. Seleccione **Mapa de bits (Bitmap)** para crear un archivo de mapa de bits. Seleccione **Fecha/Hora/Nombre de usuario (Date/Time/User Name)** para mostrar la fecha/hora de creación y el nombre de usuario del documento

impreso.

La configuración de elementos de la ficha **Sello (Stamp)** cambia según el tipo seleccionado.

Si **Tipo de sello (Stamp Type)** es **Texto (Text)** o **Fecha/Hora/Nombre de usuario (Date/Time/User Name)**

Texto del sello (Stamp Text)

Especifica la cadena de texto del sello.

Se pueden introducir hasta 64 caracteres como máximo.

En el caso de **Fecha/Hora/Nombre de usuario (Date/Time/User Name)**, la fecha/hora de creación y el nombre del usuario del objeto impreso aparecerán en **Texto del sello (Stamp Text)**.

»»» Importante

- **Texto del sello (Stamp Text)** aparecerá atenuado y no estará disponible en el caso de seleccionar **Fecha/Hora/Nombre de usuario (Date/Time/User Name)**.

Fuente TrueType (TrueType Font)

Selecciona la fuente para la cadena de texto del sello.

Estilo (Style)

Selecciona el estilo de fuente para la cadena de texto del sello.

Tamaño (Size)

Selecciona el tamaño de fuente para la cadena de texto del sello.

Contorno (Outline)

Selecciona un marco que encierra la cadena de texto del sello.

Si se selecciona un tamaño de fuente grande para **Tamaño (Size)**, es posible que los caracteres se salgan del borde del sello.

Color/Seleccionar color... (Select Color...)

Muestra el color actual del sello.

Para seleccionar un color distinto, haga clic en **Seleccionar color... (Select Color...)** para abrir el cuadro de diálogo **Color** y seleccionar o crear un color que desee utilizar como sello.

Cuando **Tipo de sello (Stamp Type)** está definido como **Mapa de bits (Bitmap)**

Archivo (File)

Especifica el nombre del archivo de mapa de bits que se va a usar como sello.

Seleccionar archivo... (Select File...)

Abre el cuadro de diálogo para abrir un archivo.

Haga clic en este botón para seleccionar un archivo de mapa de bits que utilizar como sello.

Tamaño (Size)

Ajusta el tamaño del archivo de mapa de bits que utilizar como sello.

Al desplazar el control deslizante hacia la derecha, aumentará el tamaño y, al desplazarlo hacia la izquierda, disminuirá.

Área blanca transparente (Transparent white area)

Especifica si hacer transparentes las áreas rellenas de blanco del mapa de bits.

Marque esta casilla de verificación para hacer transparentes las áreas rellenas de blanco del mapa de bits.

»»» Nota

- Haga clic en **Predetermin. (Defaults)** para definir **Tipo de sello (Stamp Type)** en texto, **Texto del sello (Stamp Text)** en blanco, **Fuente TrueType (TrueType Font)** en Arial, **Estilo (Style)** en Normal, **Tamaño (Size)** en 36 puntos, **Contorno (Outline)** sin marcar y **Color** en gris con los valores RGB (192, 192, 192).

Ficha Colocación (Placement)

La ficha Colocación le permite establecer la posición donde se va a imprimir el sello.

Ventana Vista previa

Muestra el estado del sello configurado en cada ficha.

Posición (Position)

Especifica la posición del sello en la página.

Seleccionar **Personalizada (Custom)** en la lista le permite introducir valores para las coordenadas **Posición X (X-Position)** y **Posición Y (Y-Position)** directamente.

Orientación (Orientation)

Especifica el ángulo de rotación del sello. El ángulo se puede establecer introduciendo el número de grados.

Los valores negativos giran el sello en el sentido de las agujas del reloj.

»»» Nota

- La **Orientación (Orientation)** solo está habilitada cuando se selecciona **Texto (Text)** o **Fecha/Hora/Nombre de usuario (Date/Time/User Name)** para **Tipo de sello (Stamp Type)** en la ficha **Sello (Stamp)**.

»»» Nota

- Haga clic en **Predetermin. (Defaults)** para establecer la posición del sello en **Centrar (Center)** y la orientación en 0.

Ficha Guardar configuraciones (Save settings)

La ficha **Guardar configuraciones (Save settings)** permite registrar un nuevo sello o eliminar los sellos innecesarios.

Título (Title)

Introduzca el título para guardar el sello que ha creado.

Se pueden introducir hasta 64 caracteres como máximo.

»»» Nota

- No se pueden introducir espacios, tabuladores ni retornos de carro al principio ni al final de un título.

Sellos (Stamps)

Muestra una lista de títulos de sellos guardados.

Especifique un título para mostrar el sello correspondiente en **Título (Title)**.

Guardar (Save)/Sobrescribir (Save overwrite)

Guarda el sello.

Introduzca un título en **Título (Title)** y, a continuación, haga clic en este botón.

Eliminar (Delete)

Elimina un sello innecesario.

Especifique el título de un sello innecesario de la lista **Sellos (Stamps)** y haga clic en este botón.

Ficha Fondo (Background)

La ficha Fondo permite seleccionar un archivo de mapa de bits (.bmp) que utilizar como fondo o determinar cómo imprimir el fondo seleccionado.

Ventana Vista previa

Muestra el estado del mapa de bits establecido en la ficha **Fondo (Background)**.

Archivo (File)

Especifica el nombre del archivo de mapa de bits que se va a usar como fondo.

Seleccionar archivo... (Select File...)

Abre el cuadro de diálogo para abrir un archivo.

Haga clic en este botón para seleccionar un archivo de mapa de bits (.bmp) que utilizar como fondo.

Método de diseño (Layout Method)

Especifica el modo en que se colocarán la imagen del fondo en el papel.

Cuando esté seleccionada la opción **Personalizada (Custom)**, podrá configurar las coordenadas de **Posición X (X-Position)** y **Posición Y (Y-Position)**.

Intensidad (Intensity)

Ajusta la intensidad del mapa de bits que utilizar como fondo.

Al desplazar el control deslizante hacia la derecha, se aumenta la intensidad, mientras que al desplazarlo hacia la izquierda, se disminuye. Para imprimir el fondo con la intensidad original del mapa de bits, mueva el control deslizante completamente a la derecha.

»» Nota

- Es posible que esta función no esté disponible según el entorno.
- Haga clic en **Predetermin. (Defaults)** para establecer **Archivo (File)** en blanco, **Método de diseño (Layout Method)** en **Toda la página (Fill page)** y la barra deslizante **Intensidad (Intensity)** en el medio.

Ficha Guardar configuraciones (Save settings)

La ficha **Guardar configuraciones (Save settings)** permite registrar un nuevo fondo o eliminar los fondos innecesarios.

Título (Title)

Introduzca el título para guardar la imagen de fondo que ha especificado.

Se pueden introducir hasta 64 caracteres como máximo.

»» Nota

- No se pueden introducir espacios, tabuladores ni retornos de carro al principio ni al final de un título.

Fondos (Backgrounds)

Muestra una lista de títulos de fondos registrados.

Especifique un título para mostrar el fondo correspondiente en **Título (Title)**.

Guardar (Save)/Sobrescribir (Save overwrite)

Guarda los datos de imagen como un fondo.

Después de insertar el **Título (Title)**, haga clic en este botón.

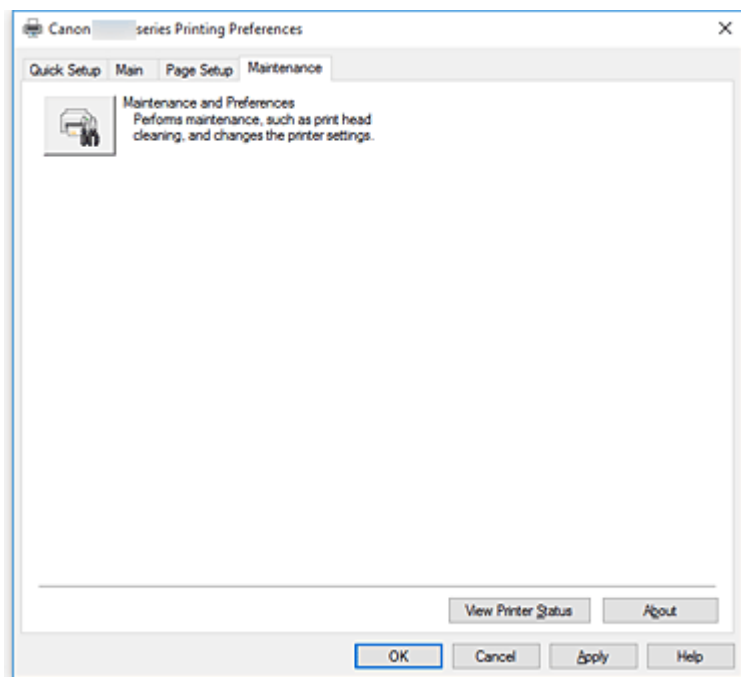
Eliminar (Delete)

Elimina un fondo innecesario.

Especifique el título de un fondo innecesario de la lista **Fondos (Backgrounds)** y, a continuación, haga clic en este botón.

Descripción de la ficha Mantenimiento

La ficha **Mantenimiento (Maintenance)** permite iniciar la Canon IJ Printer Assistant Tool o comprobar el estado de la impresora.



Mantenimiento y preferencias (Maintenance and Preferences)

Se inicia la Canon IJ Printer Assistant Tool.

Puede realizar el mantenimiento de la impresora o cambiar la configuración de la impresora.

Ver estado de la impresora (View Printer Status)

Inicia el Monitor de estado Canon IJ.

Realice esta función si desea comprobar el estado de la impresora y cómo se está realizando un trabajo de impresión.

Acerca de (About)

Abre el [Cuadro de diálogo Acerca de](#).

Se puede comprobar la versión del controlador de la impresora, además de una nota acerca del copyright.

Además, se puede cambiar el idioma que se desea utilizar.

Cuadro de diálogo Acerca de (About)

Al hacer clic en **Acerca de (About)**, se muestra el cuadro de diálogo **Acerca de (About)**.

Este cuadro de diálogo muestra la versión, el copyright y la lista de módulos del controlador de la impresora. Puede elegir el idioma que desea utilizar y cambiar el idioma mostrado en la ventana de configuración.

Módulos

Enumera los módulos del controlador de impresora.

Idioma (Language)

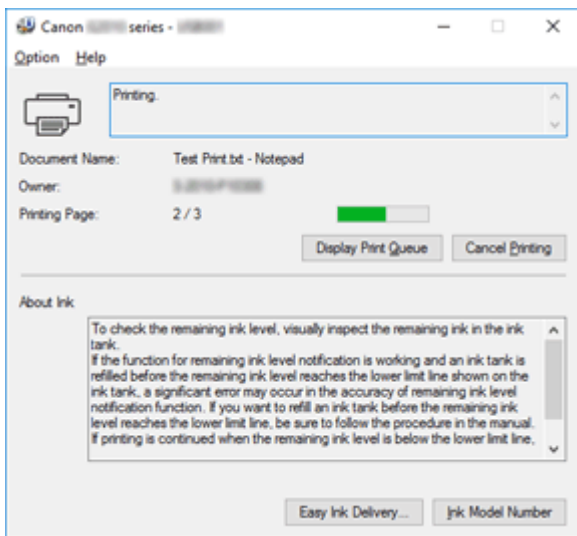
Especifica el idioma que desea utilizar en la [ventana de configuración del controlador de impresora](#).

»» Importante

- Si la fuente para mostrar el idioma elegido no está instalada en el sistema, los caracteres aparecerán distorsionados.

Descripción Monitor de estado Canon IJ

El monitor de estado Canon IJ muestra el estado de la impresora y el progreso de la impresión. El estado de la impresora se muestra mediante imágenes, iconos y mensajes en el monitor de estado.



Características del monitor de estado Canon IJ

El monitor de estado Canon IJ incluye las funciones siguientes:

Muestra el estado de la impresora en pantalla

El monitor de estado muestra el estado de la impresora en tiempo real.

Puede comprobar el progreso de cada documento que se va a imprimir (trabajo de impresión).

Muestra el contenido de los errores y el procedimiento para corregirlos

El monitor de estado muestra información sobre cualquier error que se produzca en la impresora.

A continuación, puede comprobar de inmediato qué tipo de acción debe realizar.

Visión general del monitor de estado Canon IJ

El monitor de estado Canon IJ utiliza mensajes para mostrar el estado de la impresora y el del nivel de tinta.

Durante la impresión puede consultar información acerca del documento que se está imprimiendo y el progreso de la impresión.

Si se produce un error, el monitor de estado muestra el contenido del error e instrucciones sobre cómo corregirlo. Siga las instrucciones del mensaje.

Impresora

El Monitor de estado Canon IJ muestra un icono cuando se produce un error o una advertencia en la impresora.



: Hay una advertencia.



: Se ha producido un error de operador.



: Hay un aviso sobre algo que no es ni una advertencia ni un error.



: se ha producido un error que requiere servicio.

Nombre docum. (Document Name)

Nombre del documento que se está imprimiendo.

Propietario (Owner)

Nombre del propietario del documento que se está imprimiendo.

Imprimiendo página (Printing Page)

Número de la página actual y el número total de páginas.

Mostrar cola de impresión (Display Print Queue)

La cola de impresión, que controla el documento actual y los documentos que están a la espera de imprimirse.

Cancelar impresión (Cancel Printing)

Cancela la impresión.

Acerca de la tinta (About Ink)

Muestra mensajes sobre la tinta.

Número del modelo de tinta (Ink Model Number)

Puedes buscar el depósito de tinta adecuado para su impresora.

Menú Opciones (Option)

Si aparece un mensaje de la impresora, seleccione **Activar monitor de estado (Enable Status Monitor)** para iniciar el monitor de estado Canon IJ.

Seleccione **Activar monitor de estado (Enable Status Monitor)** para utilizar los siguientes comandos:

Mostrar siempre el trabajo actual (Always Display Current Job)

Muestra el Monitor de estado Canon IJ siempre que se esté imprimiendo un documento.

Mostrar siempre arriba (Always Display on Top)

Muestra el Monitor de estado Canon IJ delante de otras ventanas.

Mostrar mensaje de guía (Display Guide Message)

Muestra los mensajes de guía para las operaciones complicadas de configuración del papel.

Impresión de sobres (Envelope Printing)

Muestra los mensajes de guía cuando se inicia la impresión del sobre.

Para ocultar estos mensajes de guía, marque la casilla de verificación **No volver a mostrar este mensaje (Do not show this message again)**.

Para ver otra vez el mensaje de guía, abra e menú **Opciones (Option)**, seleccione **Mostrar mensaje de guía (Display Guide Message)**, haga clic en **Impresión de sobres (Envelope Printing)** y active este ajuste.

Impresión de Hagaki (Hagaki Printing)

Muestra mensajes de guía antes de que la impresora comience a imprimir en Hagaki.

Para ocultar estos mensajes de guía, marque la casilla de verificación **No volver a mostrar este mensaje (Do not show this message again)**.

Para ver otra vez el mensaje de guía, abra e menú **Opciones (Option)**, seleccione **Mostrar mensaje de guía (Display Guide Message)**, haga clic en **Impresión de Hagaki (Hagaki Printing)** y active este ajuste.

Iniciar cuando se inicie Windows (Start when Windows is Started)

Inicia automáticamente el monitor de estado Canon IJ al iniciar Windows.

Menú Ayuda (Help)

Seleccione este menú para que se muestre información de ayuda del monitor de estado Canon IJ, incluida la información sobre la versión y el copyright.

Instalación del controlador de impresora

Puede acceder a nuestro sitio web en Internet y descargar el controlador de impresora más reciente para su modelo.

1. Apague la impresora

2. Inicie el instalador

Haga doble clic en el icono del archivo descargado.
Se iniciará el programa de instalación.

»»» Importante

- Se mostrará un cuadro de diálogo de confirmación/advertencia al iniciar, instalar o desinstalar el software.
Este cuadro de diálogo aparece cuando se requieren derechos de administración para realizar una tarea.
Si ha iniciado la sesión en una cuenta de administrador, haga clic en **Sí (Yes)** (o **Continuar (Continue)**, **Permitir (Allow)**) para continuar.
Algunas aplicaciones requieren una cuenta de administrador para continuar. En estos casos, cambie a una cuenta de administrador y reinicie la operación desde el principio.

3. Instale el controlador de impresora

Siga los pasos que se describan en la pantalla para solucionar el problema.

»»» Nota

- Para utilizar esta impresora en una red, hay que seleccionar manualmente el destino de la conexión del cliente.
Para seleccionar manualmente un destino de conexión, haga clic en **Cancelar (Cancel)** en la ventana **Conexión del cable (Connect Cable)**. Cuando aparezca el mensaje de confirmación, haga clic en **Sí (Yes)**.
En la ventana **Instalación no finalizada (Installation Incomplete)**, seleccione la casilla de verificación **Seleccionar puerto de impresora (Select printer port)**, haga clic en **Selección manual (Manual Selection)** y, a continuación, seleccione el puerto adecuado.

4. Finalice la instalación

Haga clic en **Completar (Complete)**.

En función del entorno que use, puede que aparezca un mensaje en el que se le pida que reinicie el ordenador. Reinícielo para completar la instalación correctamente.

»»» Importante

- La descarga del controlador de impresora es gratuita, pero el coste del acceso a Internet corre a cuenta del usuario.
- Antes de instalar la versión más reciente del controlador de impresora, elimine la versión instalada anteriormente.

Temas relacionados

- Obtención del controlador de impresora más reciente
- Eliminación de un controlador de impresora innecesario
- Pasos previos a la instalación del controlador de impresora

Preguntas más frecuentes



Imprimir

- [No comienza la impresión](#)
- [El papel está en blanco/La impresión es borrosa/Los colores son incorrectos/Aparecen rayas blancas](#)
- [Los resultados de la impresión no son satisfactorios](#)
- [Lista de códigos de asistencia en caso de error \(Atascos de papel\)](#)



Instalación

- [No se puede instalar el controlador de impresora \(Windows\)](#)



Error

- [Se produce un error](#)
- [Aparece un mensaje \(código de asistencia\)](#)
- [Reparación de la impresora](#)

Ejemplos de problemas

La impresora no funciona

- [La impresora no se enciende](#)
- [Apagado automático de la alimentación](#)
- [Problemas de conexión USB](#)
- [No se puede establecer comunicación con la impresora a través de USB](#)
- [No comienza la impresión](#)
- [La impresión se detiene](#)
- [No sale tinta](#)
- [Lista de códigos de asistencia en caso de error \(Atascos de papel\)](#)
- [El papel no entra correctamente/Se produce un error "No hay papel"](#)
- [Los resultados de la impresión no son satisfactorios](#)

No se puede establecer correctamente (instalación)

- [No se puede instalar el controlador de impresora \(Windows\)](#)
- [Easy-WebPrint EX no se inicia o no aparece el menú de Easy-WebPrint EX \(Windows\)](#)

Aparece un error o un mensaje

- [Se produce un error](#)
- [Aparece un mensaje \(código de asistencia\)](#)
- [Lista de códigos de asistencia para errores](#)

Problemas de operaciones

- [Problemas de impresión](#)
- [Problemas mecánicos](#)

- [Problemas con la instalación y la descarga](#)
- [Errores y mensajes](#)
- Si no puede resolver el problema

Problemas de impresión

- **No comienza la impresión**
- **No sale tinta**
- **La tinta se agota rápido**
- **El papel no entra correctamente/Se produce un error "No hay papel"**
- **Los resultados de la impresión no son satisfactorios**



No comienza la impresión



Comprobación 1 Compruebe que la impresora está encendida.

Si no, asegúrese de que la impresora está conectada correctamente y pulse el botón **ACTIVADO (ON)** para encenderla.

La luz de **ACTIVADO (ON)** parpadea mientras la impresora se inicia. Espere hasta que la luz de **ACTIVADO (ON)** deje de parpadear y permanezca iluminada.

»» Nota

- Si se van a imprimir grandes volúmenes de datos, como fotografías u otros gráficos, el inicio de la impresión puede llevar más tiempo. Si la luz de **ACTIVADO (ON)** parpadea, el ordenador estará procesando los datos y enviándolos a la impresora. Espere a que se inicie la impresión.

Comprobación 2 Asegúrese de que el cable USB esté firmemente conectado a la impresora y al ordenador.

Cuando el cable USB esté firmemente conectado, compruebe lo siguiente:

- Si utiliza un dispositivo de relé, como un concentrador USB, desconéctelo, conecte la impresora directamente al equipo e intente imprimir de nuevo. Si la impresión se inicia normalmente, existe un problema con el dispositivo de relé. Póngase en contacto con el fabricante del dispositivo de relé.
- El problema también puede deberse al cable USB. Sustituya el cable USB e intente imprimir de nuevo.

Comprobación 3 Elimine los trabajos atascados en la cola de impresión si va a imprimir desde un ordenador.

- Eliminación de un trabajo de impresión no deseado

Comprobación 4 ¿Se ha seleccionado el Driver impresión de su impresora durante la impresión?

La impresora no funcionará correctamente si utiliza el controlador de una impresora distinta.

Asegúrese de que esté seleccionado "Canon XXX series Printer" (donde "XXX" es el nombre de su impresora) en el cuadro de diálogo Imprimir.

»» Nota

- Para que la impresora sea la seleccionada de forma predeterminada, seleccione **Establecer como impresora predeterminada (Set as Default Printer)**.

Comprobación 5 Compruebe el tamaño de los datos de impresión.

Si el volumen de datos de impresión es grande, es posible que parte de los datos de imagen aparezcan cortados y se produzca un fallo en la impresión.

Haga clic en la opción **Opciones de impresión (Print Options)** de la hoja **Configurar página (Page Setup)** del controlador de impresora. A continuación, establezca **Prevención de pérdida de datos de impresión (Prevention of Print Data Loss)** en el cuadro de diálogo que se muestra en **Sí (On)**.

»»» Importante

- Si selecciona **Sí (On)** para la opción **Prevención de pérdida de datos de impresión (Prevention of Print Data Loss)**, puede que se reduzca la calidad de impresión.

Comprobación 6 Reinicie el ordenador.

Reinicie el ordenador y vuelva a intentar la impresión.



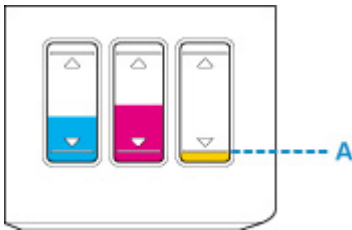
No sale tinta



Comprobación 1 Compruebe el nivel de tinta restante.

Si la tinta de un depósito de tinta se agota, rellene el depósito de tinta.

Si el nivel de tinta restante se encuentra por debajo de la línea de límite inferior (A), rellene el depósito de tinta con el color correspondiente.



Comprobación 2 ¿Están obstruidos los inyectores del cabezal de impresión?

Imprima el patrón de prueba de los inyectores para determinar si la tinta sale correctamente por los inyectores del cabezal de impresión.

Para obtener más información sobre la impresión del patrón de prueba de los inyectores, la limpieza del cabezal de impresión y la limpieza a fondo del cabezal de impresión, consulte [Si la impresión pierde intensidad o es irregular](#).

- Si el patrón de prueba de los inyectores no se imprime correctamente:

Tras limpiar el cabezal de impresión, imprima el patrón de prueba de los inyectores y examínelo.

■ Limpieza (Cleaning)

- Si no consigue solucionar el problema tras limpiar dos veces el cabezal de impresión, siga estos pasos:

Realice una limpieza a fondo del cabezal de impresión.

■ Limpieza a fondo (Deep Cleaning)

- Si no consigue solucionar el problema tras limpiar a fondo el cabezal de impresión, siga estos pasos:

Realice el vaciado de tinta.

El vaciado de tinta consume una gran cantidad de tinta.

Llevar a cabo vaciados de tinta frecuentes puede consumir rápidamente la tinta, así pues deberá llevar a cabo el vaciado de tinta solo cuando sea necesario.

►► Importante

- Si el vaciado de tinta se ejecuta cuando el nivel de tinta restante no es suficiente, es posible que se produzca un fallo.

Antes de llevar a cabo el vaciado de tinta, compruebe el nivel de tinta restante.

■ Descarga de tinta (Ink Flush)

»» Nota

- Si no sale tinta cuando lleve a cabo la impresión por primera vez, es posible que la tinta no está fluyendo en la impresora correctamente. Asegúrese de que cada depósito de tinta esté lleno de tinta hasta su límite superior y realice la descarga de tinta.

■ Descarga de tinta (Ink Flush)

Si aún así no se resuelve el problema, es posible que el cabezal de impresión esté dañado. Póngase en contacto con el centro de servicio técnico de Canon más cercano para solicitar una reparación.

»» Importante

- No incline la impresora cuando la mueva porque podría derramarse tinta.
- Cuando se transporte la impresora para su reparación, consulte la sección Reparación de la impresora.



La tinta se agota rápido



Después de rellenar el depósito de tinta, la impresora toma la tinta del depósito de tinta y fluye a la impresora.

Puede parecer que la tinta se agota rápido debido a este procedimiento.



El papel no entra correctamente/Se produce un error "No hay papel"



Comprobación 1 Asegúrese de que haya papel cargado.

■ [Carga de papel](#)

Comprobación 2 Asegúrese de lo siguiente cuando cargue el papel.

- Cuando cargue dos o más hojas de papel, despegue el papel antes de cargarlo, como si hojeara un libro.



- Cuando cargue dos o más hojas de papel, alinee los bordes antes de cargarlo.
- Cuando cargue dos hojas o más, asegúrese de que la pila de papel no supere el límite de carga del papel.

No obstante, en función del tipo de papel o de las condiciones ambientales (humedad y temperaturas muy elevadas o bajas), puede que la alimentación del papel no se realice correctamente a la máxima capacidad. En tales casos, reduzca la cantidad de papel de cada carga a menos de la mitad del límite de carga del papel.

- Cargue siempre el papel en orientación vertical, con independencia de la orientación de impresión.
- Cuando cargue el papel, hágalo con la cara de impresión hacia ARRIBA y alinee las guías del papel derecha e izquierda con la pila de papel.

■ [Carga de papel](#)

Comprobación 3 ¿Es el papel demasiado grueso o está demasiado curvado?

■ [Tipos de soporte no compatibles](#)

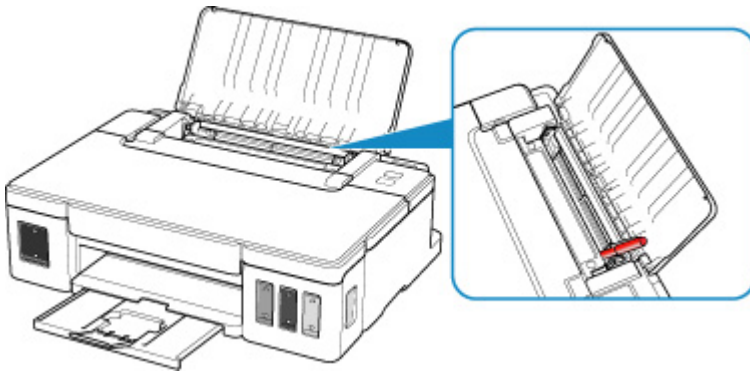
Comprobación 4 Asegúrese de lo siguiente cuando cargue sobres.

Cuando imprima en sobres, consulte [Carga de sobres](#) y prepárelos antes de imprimir.

Una vez haya preparado los sobres, cárguelos con orientación vertical. Si coloca los sobres en horizontal, no entrarán correctamente.

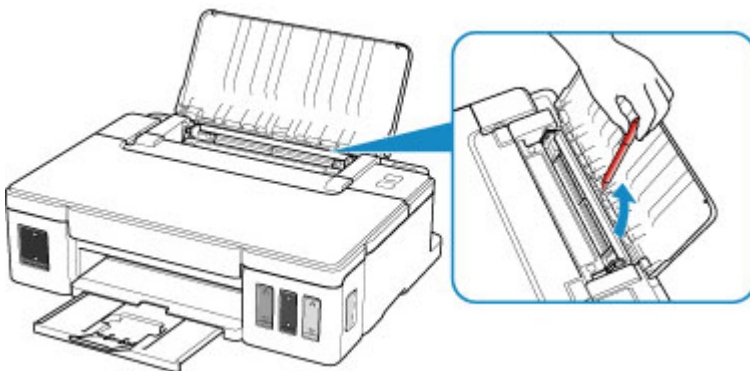
Comprobación 5 Compruebe que los parámetros del tipo de soporte y del tamaño de papel se corresponden con los del papel cargado.

Comprobación 6 Asegúrese de que no haya objetos extraños en la bandeja posterior.



Si el papel se rompe en la bandeja posterior, consulte [Lista de códigos de asistencia en caso de error \(Atascos de papel\)](#) para retirarlo.

Si hay algún objeto extraño en la bandeja posterior, apague la impresora, desconéctela de la fuente de alimentación y, a continuación, retire el objeto extraño.



»»» Importante

- No incline la impresora ni la ponga boca abajo. Si lo hiciera, la tinta podría derramarse.

Comprobación 7 Limpie el rodillo de alimentación del papel.

- Limpieza de los rodillos de alimentación del papel

Si con estos procedimientos no consigue resolver el problema, póngase en contacto con el centro de servicio técnico de Canon más cercano para solicitar una reparación.

»»» Importante

- No incline la impresora cuando la mueva porque podría derramarse tinta.
- Cuando se transporte la impresora para su reparación, consulte la sección Reparación de la impresora.



Los resultados de la impresión no son satisfactorios



Si el resultado de la impresión no es satisfactorio, ya sea porque aparecen bandas blancas, líneas no alineadas o colores no uniformes, compruebe en primer lugar los ajustes de la calidad de impresión y del papel.

Comprobación 1 ¿La configuración del tamaño de página y del tipo de soporte coincide con el tamaño y el tipo de papel cargado?

Si esta configuración no coincide, no se podrá obtener el resultado adecuado.

Al imprimir fotografías o ilustraciones, una configuración incorrecta del tipo de papel puede reducir la calidad del color que se imprima.

Además, si imprime con una configuración de tipo de papel incorrecta, se puede rayar la superficie impresa.

En la impresión sin bordes, y dependiendo de la combinación de la configuración del tipo de papel y del papel cargado, pueden producirse colores no uniformes.

El método para comprobar la configuración del papel y de la calidad de impresión será distinto según lo que se haga con la impresora.

Puede comprobar la configuración del tipo de soporte con el controlador de impresora.

■ [Configuración de la impresión básica](#)

Comprobación 2 Asegúrese de que se ha seleccionado la calidad de impresión adecuada en el ordenador.

Seleccione una calidad de impresión adecuada para el papel y lo que se vaya a imprimir. Si advierte colores borrosos o no uniformes, suba el valor de la configuración de la calidad de impresión e imprima de nuevo.

Puede comprobar la configuración de la calidad de impresión con el controlador de impresora.

■ Cambio de la calidad de impresión y corrección de los datos de imagen

Comprobación 3 Si no se resuelve el problema, confirme si se debe a otras causas.

Consulte también los apartados siguientes:

- [El papel está en blanco/La impresión es borrosa/Los colores son incorrectos/Aparecen rayas blancas](#)
- [Los colores son borrosos](#)
- [Las líneas no están alineadas](#)
- [El papel queda manchado / La superficie impresa está rayada](#)
- [Línea vertical junto a la imagen](#)
- No se puede finalizar la impresión
- Faltan líneas o están incompletas (Windows)
- Faltan imágenes o están incompletas (Windows)
- La tinta se emborrona / El papel está curvado
- El reverso del papel queda manchado

■ Colores con franjas o irregularidades



El papel está en blanco/La impresión es borrosa/Los colores son incorrectos/Aparecen rayas blancas



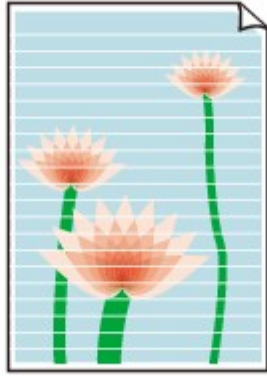
La impresión es borrosa



Los colores son incorrectos



Aparecen rayas blancas



A

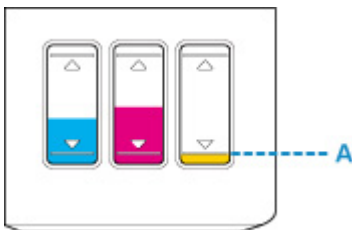
Comprobación 1 Compruebe la configuración del papel y la calidad de impresión.

■ [Los resultados de la impresión no son satisfactorios](#)

Comprobación 2 Compruebe el nivel de tinta restante.

Cuando un depósito de tinta se quede sin tinta, rellene el depósito de tinta.

Si el nivel de tinta restante se encuentra por debajo de la línea de límite inferior (A), rellene el depósito de tinta con el color correspondiente.



Comprobación 3 ¿Están obstruidos los inyectores del cabezal de impresión?

Imprima el patrón de prueba de los inyectores para determinar si la tinta sale correctamente por los inyectores del cabezal de impresión.

Para obtener más información sobre la impresión del patrón de prueba de los inyectores, la limpieza del cabezal de impresión y la limpieza a fondo del cabezal de impresión, consulte [Si la impresión pierde intensidad o es irregular](#).

- Si el patrón de prueba de los inyectores no se imprime correctamente:

Tras limpiar el cabezal de impresión, imprima el patrón de prueba de los inyectores y examínelo.

■ Limpieza (Cleaning)

- Si no consigue solucionar el problema tras limpiar dos veces el cabezal de impresión, siga estos pasos:

Realice una limpieza a fondo del cabezal de impresión.

■ Limpieza a fondo (Deep Cleaning)

- Si no consigue solucionar el problema tras limpiar a fondo el cabezal de impresión, siga estos pasos:

Realice el vaciado de tinta.

El vaciado de tinta consume una gran cantidad de tinta.

Llevar a cabo vaciados de tinta frecuentes puede consumir rápidamente la tinta, así pues deberá llevar a cabo el vaciado de tinta solo cuando sea necesario.

►► Importante

- Si el vaciado de tinta se ejecuta cuando el nivel de tinta restante no es suficiente, es posible que se produzca un fallo.

Antes de llevar a cabo el vaciado de tinta, compruebe el nivel de tinta restante.

■ Descarga de tinta (Ink Flush)

Comprobación 4 Cuando utilice papel con una única cara imprimible, asegúrese de cargar el papel con la cara de impresión hacia arriba.

Si se imprime en la cara equivocada de este tipo de papel, la impresión puede quedar borrosa o la calidad de las copias quizás no sea buena.

Cargue papel con la cara imprimible hacia arriba.

Consulte el manual de instrucciones proporcionado con el papel para obtener más información sobre la cara imprimible.



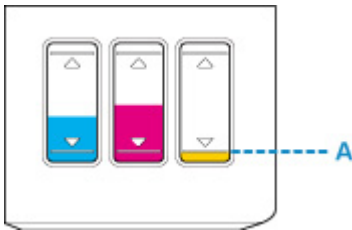
Los colores son borrosos



Comprobación 1 Compruebe el nivel de tinta restante.

Cuando un depósito de tinta se quede sin tinta, rellene el depósito de tinta.

Si el nivel de tinta restante se encuentra por debajo de la línea de límite inferior (A), rellene el depósito de tinta con el color correspondiente.



►►► Nota

- Puede que los colores impresos no coincidan con los de la pantalla debido a las diferencias básicas de los métodos que se utilizan para crear los colores. La configuración de control de color, así como las diferencias medioambientales, también pueden influir en la forma en que los colores aparecen en la pantalla. En consecuencia, los colores de los resultados de impresión pueden diferir de los de la pantalla.

Comprobación 2 ¿Están obstruidos los inyectores del cabezal de impresión?

Imprima el patrón de prueba de los inyectores para determinar si la tinta sale correctamente por los inyectores del cabezal de impresión.

Para obtener más información sobre la impresión del patrón de prueba de los inyectores, la limpieza del cabezal de impresión y la limpieza a fondo del cabezal de impresión, consulte [Si la impresión pierde intensidad o es irregular](#).

- Si el patrón de prueba de los inyectores no se imprime correctamente:
Tras limpiar el cabezal de impresión, imprima el patrón de prueba de los inyectores y examínelo.
 - Limpieza (Cleaning)
- Si no consigue solucionar el problema tras limpiar dos veces el cabezal de impresión, siga estos pasos:
Realice una limpieza a fondo del cabezal de impresión.
 - Limpieza a fondo (Deep Cleaning)
- Si no consigue solucionar el problema tras limpiar a fondo el cabezal de impresión, siga estos pasos:
Realice el vaciado de tinta.
El vaciado de tinta consume una gran cantidad de tinta.
Llevar a cabo vaciados de tinta frecuentes puede consumir rápidamente la tinta, así pues deberá llevar a cabo el vaciado de tinta solo cuando sea necesario.

»» Importante

- Si el vaciado de tinta se ejecuta cuando el nivel de tinta restante no es suficiente, es posible que se produzca un fallo.

Antes de llevar a cabo el vaciado de tinta, compruebe el nivel de tinta restante.

- Descarga de tinta (Ink Flush)

Si aún así no se resuelve el problema, es posible que el cabezal de impresión esté dañado. Póngase en contacto con el centro de servicio técnico de Canon más cercano para solicitar una reparación.

»» Importante

- No incline la impresora cuando la mueva porque podría derramarse tinta.
- Cuando se transporte la impresora para su reparación, consulte la sección Reparación de la impresora.



Las líneas no están alineadas



Comprobación 1 Compruebe la configuración del papel y la calidad de impresión.

- [Los resultados de la impresión no son satisfactorios](#)

Comprobación 2 Ejecute la alineación del cabezal de impresión.

Si las líneas impresas no están alineadas o el resultado de la impresión no es satisfactorio por cualquier otro motivo, ajuste la posición del cabezal de impresión.

- Ajuste la posición del Cabezal de impresión

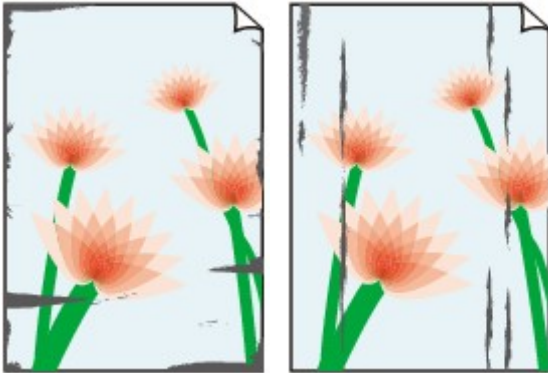
Comprobación 3 Aumente la calidad de impresión e intente imprimir de nuevo.

El aumento de la calidad de impresión podría mejorar el resultado de la impresión.



El papel queda manchado / La superficie impresa está rayada

El papel queda manchado



Bordes manchados

Superficie manchada



La superficie impresa está rayada



Comprobación 1 Compruebe la configuración del papel y la calidad de impresión.

■ [Los resultados de la impresión no son satisfactorios](#)

Comprobación 2 Compruebe el tipo de papel.

Asegúrese de que utiliza el papel adecuado para imprimir lo que desee.

■ [Tipos de soporte compatibles](#)

Comprobación 3 Cargue el papel antes de corregir su curvatura.

Se recomienda volver a colocar en el paquete el papel que no se utilice y colocarlo sobre una superficie plana.

- **Papel normal**

Dé la vuelta al papel y vuelva a cargarlo para imprimir en la otra cara.

Si se deja el papel cargado en la bandeja posterior durante mucho tiempo puede que se ondule. Si esto ocurre, cargue el papel con la otra cara hacia arriba. Es posible que esto resuelva el problema.

- **Otro papel, como por ejemplo sobre**

Si la curvatura en las esquinas del papel tiene una altura mayor que 3 mm/0,1 pulgadas (A), puede que el papel se manche o que no entre correctamente. Siga estas instrucciones para corregir la curvatura del papel.



1. Enrolle el papel en la dirección opuesta a la curvatura tal como muestra la siguiente ilustración.

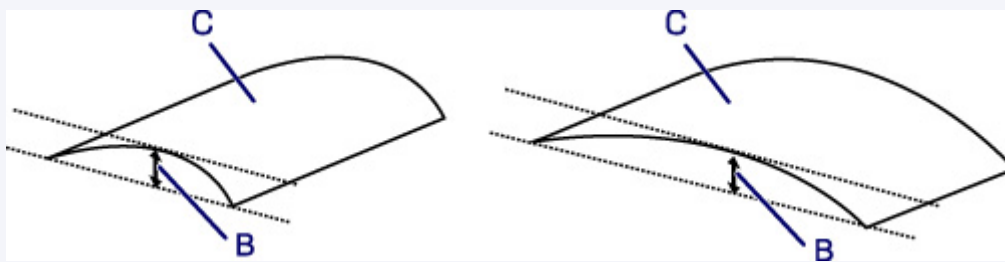


2. Compruebe que el papel ha quedado plano.

Cuando imprima en el papel al que se le haya corregido la curvatura, le recomendamos imprimir las hojas de una en una.

»» Nota

- Dependiendo del tipo de papel, puede mancharse o no entrar correctamente, aunque no esté curvado hacia dentro. Siga las instrucciones que se describen a continuación para curvar el papel hacia fuera con una altura no superior a 3 mm/0,1 pulgadas (B) antes de imprimir. Esto podría mejorar el resultado de la impresión.



(C) Cara de impresión

Se recomienda introducir las hojas del papel que se ha curvado hacia fuera de una en una.

Comprobación 4 Configure la impresora para evitar la abrasión del papel.

Al ajustar el parámetro para evitar la abrasión del papel, aumentará el espacio entre el cabezal de impresión y el papel. Si la abrasión del papel sigue apareciendo incluso al establecer correctamente el tipo de soporte para que coincida con el papel, configure la impresora para evitar la abrasión del papel siguiendo el procedimiento que se incluye a continuación.

1. Compruebe que la impresora está encendida.
2. Abra la ventana de configuración del controlador de impresora.
 - [Apertura de la pantalla de configuración del controlador de impresora](#)
3. Haga clic en la pestaña **Mantenimiento (Maintenance)** y en **Configuración personalizada (Custom Settings)**.
4. Seleccione la casilla de verificación **Evitar abrasión del papel (Prevent paper abrasion)** y haga clic en **Aceptar (OK)**.

Esta opción puede reducir la velocidad de impresión.

* Cuando haya acabado de imprimir, desactive esta opción. De lo contrario, se aplicará a los futuros trabajos de impresión.

Comprobación 5 Si la intensidad es alta, reduzca el valor de Intensidad e intente imprimir otra vez.

Cuando se usa papel normal para imprimir imágenes con una alta intensidad, el papel puede absorber demasiada tinta y ondularse, lo que provoca su abrasión.

Cambie la configuración de intensidad con el controlador de impresora.

■ Ajuste de la intensidad

Comprobación 6 No imprima fuera del área de impresión recomendada.

Si imprime más allá el área de impresión recomendada del papel, el borde inferior del papel se puede manchar de tinta.

Cambie el tamaño del documento mediante el software de la aplicación.

■ Área de impresión

Comprobación 7 ¿Está sucio el rodillo de alimentación del papel?

Limpie el rodillo de alimentación del papel.

■ Limpieza de los rodillos de alimentación del papel

Comprobación 8 ¿Está sucio el interior de la impresora?

Durante la impresión a dos caras, puede quedar algo de tinta en el interior de la impresora, lo que puede provocar que las copias impresas salgan manchadas.

Realice el proceso de limpieza de la placa inferior para limpiar el interior de la impresora.

■ [Limpieza del interior de la impresora \(Limpieza de placa inferior\)](#)

»» Nota

- Para evitar que se manche el interior de la impresora, asegúrese de establecer correctamente el tamaño del papel.

Comprobación 9 Establezca el tiempo de secado de la tinta.

De esta forma, la superficie impresa podrá secarse y se evitará que el papel se manche o se raye.

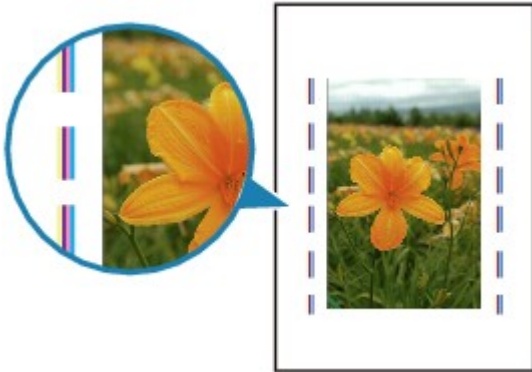
1. Compruebe que la impresora está encendida.
2. Abra la ventana de configuración del controlador de impresora.

■ [Apertura de la pantalla de configuración del controlador de impresora](#)

3. Haga clic en la pestaña **Mantenimiento (Maintenance)** y en **Configuración personalizada (Custom Settings)**.
4. Arrastre la barra deslizante **Tiempo de secado (Ink Drying Wait Time)** para establecer el tiempo de espera y haga clic en **Aceptar (OK)**.
5. Lea el mensaje y haga clic en **Aceptar (OK)**.



Línea vertical junto a la imagen



Comprobación ¿Se ha cargado el tamaño del papel correcto?

Si el papel que se ha cargado es más grande que el especificado, puede que aparezca una línea vertical en el margen.

Establezca el tamaño de papel para que coincida con el que se ha cargado.

■ [Los resultados de la impresión no son satisfactorios](#)

»» Nota

- La dirección del patrón de línea vertical puede variar según los datos de imagen o la configuración de impresión.
- Esta impresora lleva a cabo una limpieza automática cuando es necesario para mantener limpias las copias impresas. Se expulsa una pequeña cantidad de tinta en el momento de la limpieza.

Pese a que la tinta se suele expulsar en el absorbedor de tinta del borde exterior del papel, es posible que se expulse en el papel si este tiene un tamaño superior al especificado.

Problemas mecánicos

- **La impresora no se enciende**
- **Apagado automático de la alimentación**
- **Problemas de conexión USB**
- **No se puede establecer comunicación con la impresora a través de USB**



La impresora no se enciende



Comprobación 1 Pulse el botón **ACTIVADO (ON)**.

Comprobación 2 Asegúrese de que el cable de alimentación está adecuadamente conectado a la impresora y, a continuación, vuelva a encenderla.

Comprobación 3 Desenchufe la impresora y, transcurridos al menos 2 minutos, vuelva a enchufarla y encenderla.

Si con este procedimiento no consigue resolver el problema, póngase en contacto con el centro de servicio técnico de Canon más cercano para solicitar una reparación.

»»» Importante

- No incline la impresora cuando la mueva porque podría derramarse tinta.
- Cuando se transporte la impresora para su reparación, consulte la sección Reparación de la impresora.



Apagado automático de la alimentación



Comprobación Si la impresora se ha configurado para apagarse automáticamente pasado un determinado período, desactive esta opción.

Si ha configurado la impresora para que se apague automáticamente tras un período de tiempo específico, la alimentación se apagará automáticamente una vez haya transcurrido ese período.

Siga el procedimiento que se indica a continuación para desactivar la configuración mediante la herramienta IJ Printer Assistant Tool de Canon.

1. Abra la herramienta IJ Printer Assistant Tool de Canon.

■ [Descripción de la ficha Mantenimiento](#)

2. Seleccione la impresora que está utilizando desde el menú desplegable y seleccione **Aceptar (OK)**.

Aparece la pantalla de menú.

3. Seleccione **Encendido automático (Auto Power)**.

4. Seleccione **Desactivar (Disable)** para **Apagado automático (Auto Power Off)**.

La configuración para apagar el equipo automáticamente está desactivada.

Problemas de conexión USB

Q La velocidad de impresión o de escaneo es lenta/La conexión USB de alta velocidad no funciona/Aparece el mensaje "Este dispositivo puede funcionar más rápidamente (This device can perform faster)"

A

Si el entorno del sistema no es compatible con la conexión USB de alta velocidad, la impresora funcionará a la velocidad que permite la conexión USB 1.1, que es la más lenta. En este caso, la impresora funcionará correctamente, pero la velocidad de impresión puede ser más lenta debido a la velocidad de comunicación.

Comprobación Compruebe lo siguiente para asegurarse de que el entorno del sistema admite la conexión USB de alta velocidad.

- ¿Admite el puerto USB del ordenador la conexión USB de alta velocidad?
- ¿El cable USB o el concentrador USB admiten la conexión USB de alta velocidad?

Asegúrese de usar un cable USB de alta velocidad homologado. Se recomienda que la longitud del cable USB no supere los 3 metros / 10 pies aproximadamente.

- ¿Funciona correctamente el controlador USB de alta velocidad en su ordenador?

Asegúrese de que el último driver USB de alta velocidad esté funcionando correctamente y obtenga e instale la versión más reciente del driver USB de alta velocidad para el ordenador, en caso necesario.

»»» Importante

- Para obtener más información, póngase en contacto con el fabricante del ordenador, del cable USB o del concentrador USB.

Q

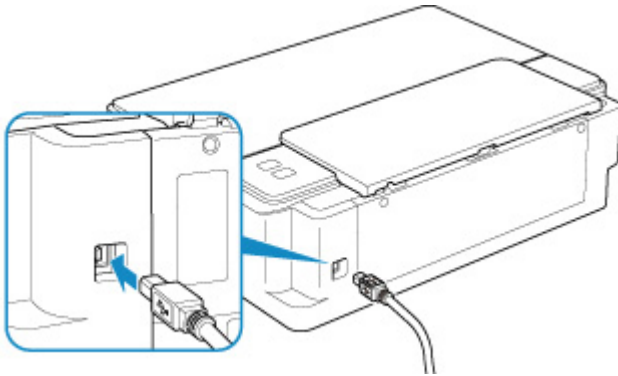
No se puede establecer comunicación con la impresora a través de USB

A

Comprobación 1 Compruebe que la impresora está encendida.

Comprobación 2 Conecte el cable USB correctamente.

Tal y como se muestra en la ilustración siguiente, el puerto USB se encuentra en la parte posterior de la impresora.



»»» Importante

- Conecte el terminal de "tipo B" a la impresora con la parte con muescas hacia IZQUIERDA. Para obtener más detalles, consulte el manual de instrucciones suministrado con el cable USB.

Comprobación 3 Asegúrese de que **Habilitar compatibilidad bidireccional (Enable bidirectional support)** está seleccionado en la ficha **Puertos (Ports)** del cuadro de diálogo de propiedades del controlador de impresora.

De lo contrario, márkelo para habilitar la compatibilidad bidireccional.

- [Apertura de la pantalla de configuración del controlador de impresora](#)

Problemas con la instalación y la descarga

- [No se puede instalar el controlador de impresora \(Windows\)](#)



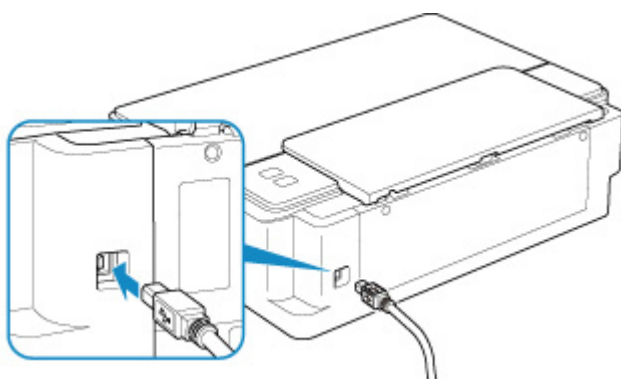
No se puede pasar de la pantalla **Conexión de impresora**



Si no puede pasar de la pantalla **Conexión de impresora (Printer Connection)**, compruebe lo siguiente.

Comprobación 1 Asegúrese de que el cable USB esté firmemente conectado a la impresora y al ordenador.

Conecte la impresora y el ordenador con un cable USB, como en la ilustración siguiente. El puerto USB se encuentra en la parte posterior de la impresora.



»»» **Importante**

- Conecte el terminal de "tipo B" a la impresora con la parte con muescas hacia IZQUIERDA. Para obtener más detalles, consulte el manual de instrucciones suministrado con el cable USB.

Comprobación 2 Siga el procedimiento que se indica a continuación para conectar de nuevo la impresora y el ordenador.

1. Desconecte el cable USB de la impresora y del ordenador y vuelva a conectarlo.
2. Asegúrese de que la impresora no esté realizando ninguna operación y que esté apagada.
3. Encienda la impresora.

Comprobación 3 Si no puede resolver el problema, siga el procedimiento que se explica a continuación para volver a instalar el controlador de impresora.

1. Haga clic en **Cancelar (Cancel)**.
2. Haga clic en **Volver al principio (Back to Top)** en la pantalla **Configuración cancelada (Setup Canceled)**.
3. Haga clic en **Salir (Exit)** en la pantalla **Iniciar configuración (Start Setup)** y finalice la configuración.
4. Apague la impresora.
5. Reinicie el ordenador.
6. Compruebe que no se esté ejecutando ningún software de aplicación.

7. Realice la configuración en la página web.

»» Nota

- Puede utilizar el CD-ROM de instalación para establecer de nuevo la configuración.



No se puede instalar el controlador de impresora (Windows)



- **Si la instalación no se inicia al insertar el CD-ROM de instalación:**

Siga estas instrucciones para iniciar la instalación.

1. Compruebe los siguientes parámetros:

- En Windows 10, haga clic en el botón **Iniciar (Start)** > **Explorador de archivos (File Explorer)** y, a continuación, haga clic en **Este PC (This PC)** en la lista que aparece a la izquierda.
- En Windows 8.1, seleccione el icono **Explorador (Explorer)** de la **Barra de tareas (Taskbar)** del **Escritorio (Desktop)** y, a continuación, seleccione **Este equipo (This PC)** en la lista de la izquierda.
- En Windows 7, haga clic en **Inicio (Start)**, y después en **Equipo (Computer)**.

2. Haga doble clic en el icono  CD-ROM en la ventana que se muestra.

Si se muestra el contenido del CD-ROM, haga doble clic en **MSETUP4.EXE**.

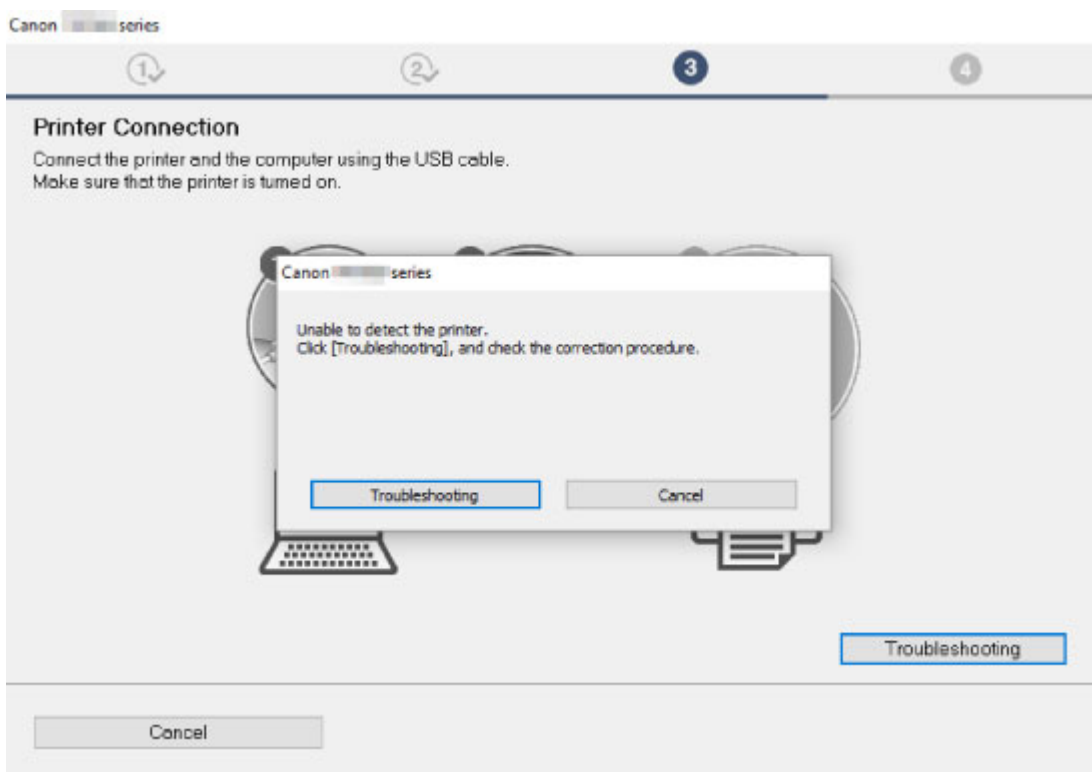
Si no puede instalar el controlador de la impresora con el CD-ROM de instalación, instálelo desde el sitio web de Canon.

»» Nota

- Si el icono de CD-ROM no aparece, pruebe lo siguiente:
 - Retire el CD-ROM del equipo y vuelva a introducirlo.
 - Reinicie el equipo.

Si el icono sigue sin aparecer, pruebe otro disco y compruebe si este aparece. Si lo hace, significa que existe algún error en el CD-ROM de instalación. Póngase en contacto con el centro de servicio técnico de Canon más cercano para solicitar una reparación.

- Si no puede avanzar de la pantalla Conexión de impresora (Printer Connection):



■ [No se puede pasar de la pantalla Conexión de impresora](#)

- **Otros casos:**

Vuelva a instalar el controlador de impresora.

Si el controlador de impresora no se ha instalado correctamente, desinstálelo, reinicie el ordenador y, a continuación, vuelva a instalar el controlador de impresora.

■ **Eliminación de un controlador de impresora innecesario**

Vuelva a instalar el controlador de la impresora con el CD-ROM de instalación o hágalo desde el sitio web de Canon.

▶▶▶ **Nota**

- Si se ha detenido el instalador debido a un error de Windows, es posible que la operación de Windows no sea estable y que no pueda instalar los controladores. Reinicie el equipo y, a continuación, vuelva a instalar los controladores.

Errores y mensajes

- ▶ Se produce un error
- ▶ Aparece un mensaje (código de asistencia)

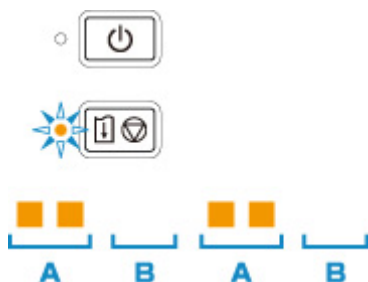
Se produce un error

Cuando se produzca un error durante la impresión, como que la impresora se quede sin papel o que el papel se atasque, la luz de **Alarma (Alarm)** parpadeará o las luces de **ACTIVADO (ON)** y de **Alarma (Alarm)** parpadearán de forma alternativa en función de los detalles del error que ha ocurrido. Aparece un código de asistencia (número de error) en la pantalla del ordenador, como se muestra a continuación.

Compruebe el estado de la luz de **Alarma (Alarm)** y el código de asistencia y adopte seguidamente las medidas oportunas.

Código de asistencia correspondiente al número de destellos de la luz de la lámpara Alarma (Alarm)

Ejemplo de destello 2 veces:



(A) Parpadea

(B) Se apaga

Número de destellos	Causa	Código de asistencia
2 destellos	La impresora no tiene papel o no carga papel.	1000
3 destellos	El papel está atascado en la bandeja de salida del papel o en la bandeja posterior.	1300
4 destellos	El cartucho no está instalado correctamente.	1470
5 destellos	No se puede reconocer el cartucho.	1403
	Se ha producido un problema con el cartucho.	1430
	El cartucho no está instalado.	1471
	No está instalado el cartucho adecuado.	1476
7 destellos	El cartucho no está instalado en la posición correcta.	1474
	Hay instalado más de un cartucho del mismo color.	1475
8 destellos	El absorbedor de tinta está casi lleno.	1700
		1701
9 destellos	La cinta o el material de protección puede seguir en el soporte de cartucho FINE.	1890

14 destellos	No se puede reconocer el cartucho.	1473
15 destellos	No se puede reconocer el cartucho.	1472

Código de asistencia correspondiente al número de destellos alternativos de la luz de la lámpara ACTIVADO (ON) y de Alarma (Alarm)

Ejemplo de destello 2 veces:



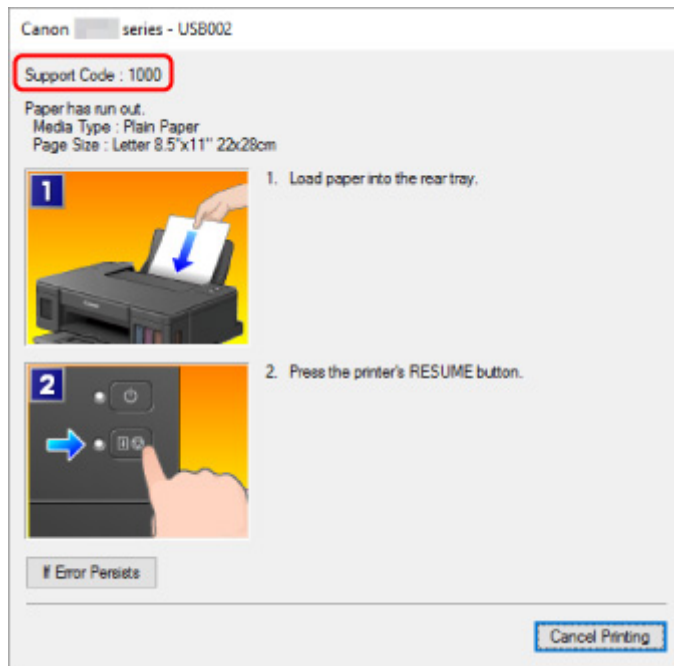
(A) Destellos alternativos

(B) Se apaga

Número de destellos	Causa	Código de asistencia
2 destellos	Se ha producido un error en la impresora.	5100
3 destellos	Se ha producido un error en la impresora.	6000
5 destellos	Se ha producido un error en la impresora.	5700
6 destellos	Se ha producido un error en la impresora.	5400
7 destellos	Se ha producido un error en la impresora.	5B00 5B01
8 destellos	Se ha producido un error en la impresora.	5200 5205 5206
9 destellos	Se ha producido un error en la impresora.	6800 6801
10 destellos	Se ha producido un error que hay que reparar.	B202 B203 B204 B205
Otros casos distintos de los anteriores	Se ha producido un error en la impresora.	6930 6931 6932 6933

	6940
	6941
	6942
	6943
	6944
	6945
	6946

Si aparece un código de asistencia en la pantalla del ordenador:



»» Nota

- Para obtener información sobre cómo resolver errores sin códigos de asistencia, consulte [Aparece un mensaje \(código de asistencia\)](#).

Aparece un mensaje (código de asistencia)

En esta sección se describen algunos de los errores y mensajes que pueden mostrarse.

»»» Nota

- Aparece un código de asistencia (número de error) en el ordenador para algunos errores. Para obtener información sobre errores con códigos de asistencia, consulte [Lista de códigos de asistencia para errores](#).

- [Aparece un error donde se informe de que se ha desconectado el cable de alimentación](#)
- [Error de escritura/Error de salida/Error de comunicación](#)
- [Otros mensajes de error](#)
- [Se muestra la pantalla Inkjet Printer/Scanner/Fax Extended Survey Program](#)

Aparece un error donde se informe de que se ha desconectado el cable de alimentación

A

Es posible que se haya desenchufado la impresora mientras estaba en funcionamiento.

Compruebe el mensaje de error que aparece en el equipo y haga clic en **Aceptar (OK)**.

La impresora comenzará la impresión.

Consulte [Desconexión de la impresora](#) para desenchufar el cable de alimentación.

Error de escritura/Error de salida/Error de comunicación

A

Comprobación 1 Si la luz **ACTIVADO (ON)** está apagada, asegúrese de que la impresora esté enchufada y encendida.

La luz de **ACTIVADO (ON)** parpadea mientras la impresora se inicia. Espere hasta que la luz de **ACTIVADO (ON)** deje de parpadear y permanezca iluminada.

Comprobación 2 Asegúrese de que el cable USB esté firmemente conectado a la impresora y al ordenador.

Cuando el cable USB esté firmemente conectado, compruebe lo siguiente:

- Si utiliza un dispositivo de relé, como un concentrador USB, desconéctelo, conecte la impresora directamente al equipo e intente imprimir de nuevo. Si la impresión se inicia normalmente, existe un problema con el dispositivo de relé. Póngase en contacto con el fabricante del dispositivo de relé.
- El problema también puede deberse al cable USB. Sustituya el cable USB e intente imprimir de nuevo.

Comprobación 3 Asegúrese de que el controlador de impresora está instalado correctamente.

Desinstale el controlador de impresora siguiendo el procedimiento que se describe en la sección Eliminación de un controlador de impresora innecesario y vuelva a instalarlo desde el CD-ROM de instalación o desde el sitio web de Canon.

Comprobación 4 Cuando la impresora esté conectada al ordenador mediante un cable USB, compruebe el estado del dispositivo en el ordenador.

Siga el procedimiento que se describe a continuación para comprobar el estado del dispositivo.

1. Abra el Administrador de dispositivos en el ordenador, como se muestra a continuación.

Si aparece la pantalla **Control de cuentas de usuario (User Account Control)**, siga las instrucciones en pantalla.

- En Windows 10, haga clic con el botón derecho en el botón **Iniciar (Start)** y seleccione **Administrador de dispositivos (Device Manager)**.
 - En Windows 8.1, seleccione **Panel de control (Control Panel)** en el acceso **Configuración (Settings)** del **Escritorio (Desktop)** > **Hardware y sonido (Hardware and Sound)** > **Administrador de dispositivos (Device Manager)**.
 - En Windows 7, haga clic en **Panel de control (Control Panel)**, **Hardware y sonido (Hardware and Sound)** y, a continuación, en **Administrador de dispositivos (Device Manager)**.
2. Haga doble clic en **Controladoras de bus serie universal (Universal Serial Bus controllers)** y, a continuación, en **Compatibilidad con impresoras USB (USB Printing Support)**.

Si no aparece la pantalla **Propiedades de compatibilidad con impresoras USB (USB Printing Support Properties)**, asegúrese de que la impresora esté conectada correctamente al ordenador.

 **Comprobación 2** [Asegúrese de que el cable USB esté firmemente conectado a la impresora y al ordenador.](#)

3. Haga clic en **General** y compruebe si existe un problema en el dispositivo.

Si se muestra un error de dispositivo, consulte la Ayuda de Windows para solucionarlo.

Otros mensajes de error

Comprobación Si aparece un mensaje de error fuera del monitor de estado de la impresora, compruebe lo siguiente:

- "No ha sido posible almacenar los datos en la cola de impresión debido a una falta de espacio en el disco (Could not spool successfully due to insufficient disk space)"

Elimine archivos innecesarios para aumentar el espacio libre en disco.

- "No ha sido posible almacenar los datos en la cola de impresión debido a una falta de memoria (Could not spool successfully due to insufficient memory)"

Cierre otras aplicaciones para aumentar la memoria disponible.

Si aun así no puede imprimir, reinicie el equipo e intente imprimir de nuevo.

- **"No se ha encontrado el controlador de la impresora (Printer driver could not be found)"**

Desinstale el controlador de impresora siguiendo el procedimiento que se describe en la sección Eliminación de un controlador de impresora innecesario y vuelva a instalarlo desde el CD-ROM de instalación o desde el sitio web de Canon.

- **"No se pudo imprimir Nombre de aplicación (Could not print Application name) - Nombre de archivo"**

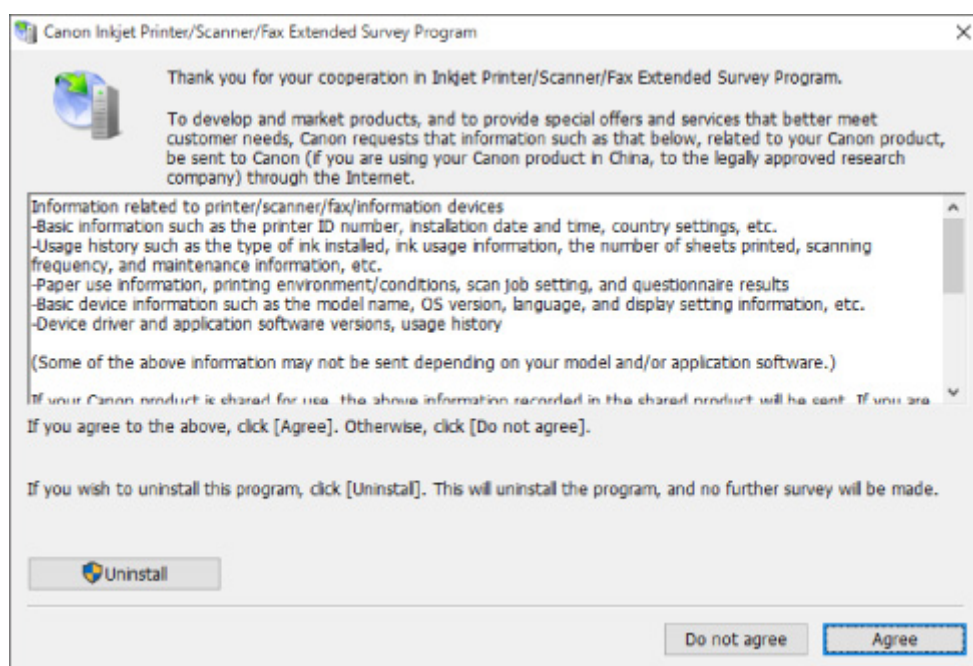
Intente volver a imprimir una vez haya terminado el trabajo actual.

Q Se muestra la pantalla Inkjet Printer/Scanner/Fax Extended Survey Program

A

Si el programa Inkjet Printer/Scanner/Fax Extended Survey Program está instalado, aparecerá una pantalla de confirmación pidiendo permiso para enviar la información de uso de la impresora y del software de aplicación cada mes durante diez años aproximadamente.

Lea la información que aparezca en la pantalla y siga las instrucciones que se indican a continuación.



- **Si acepta participar en la encuesta:**

Haga clic en **Aceptar (Agree)** y siga las instrucciones en pantalla. La información sobre el uso de la impresora se enviará a través de Internet. Cuando haya finalizado el procedimiento, la información se enviará automáticamente sin mostrar la pantalla de confirmación a partir de la próxima vez.

»»» Nota

- Durante el envío de la información, puede aparecer una pantalla de advertencia, como un mensaje de seguridad de Internet. Asegúrese de que el nombre del programa sea "IJPLMUI.exe" y continúe el proceso.

- Si desactiva la casilla **Enviar automáticamente a partir de la próxima vez (Send automatically from the next time)**, la información no se enviará automáticamente a partir de la segunda vez en adelante y en el momento de la siguiente encuesta se mostrará una pantalla de confirmación. Para enviar la información de forma automática, consulte [Cambia la configuración de la pantalla de confirmación:](#).

- **Si no acepta participar en la encuesta:**

Haga clic en **No aceptar (Do not agree)**. Se cerrará la pantalla de confirmación y se omitirá la encuesta en ese momento. La pantalla de confirmación volverá a aparecer al mes.

- **Para desinstalar Inkjet Printer/Scanner/Fax Extended Survey Program:**

Para desinstalar Inkjet Printer/Scanner/Fax Extended Survey Program, haga clic en **Desinstalar (Uninstall)** y siga las instrucciones que aparecen en pantalla.

- **Cambia la configuración de la pantalla de confirmación:**

1. Compruebe los siguientes parámetros:

- En Windows 10, haga clic con el botón derecho en el botón **Iniciar (Start)** y seleccione **Programas y características (Programs and Features)**.
- En Windows 8.1, seleccione **Panel de control (Control Panel)** en el acceso **Configuración (Settings)** en **Escritorio (Desktop)** > **Programas (Programs)** > **Programas y características (Programs and Features)**.
- En Windows 7, seleccione el menú **Inicio (Start)** > **Panel de control (Control Panel)** > **Programas (Programs)** > **Programas y características (Programs and Features)**.

»»» Nota

- Es posible que aparezca un cuadro de diálogo de confirmación o advertencia al instalar, desinstalar o iniciar software.

Este cuadro de diálogo aparece cuando se requieren derechos de administración para realizar una tarea.

Si ha iniciado sesión en una cuenta con privilegios de administrador, siga las instrucciones en pantalla.

2. Seleccione **Canon Inkjet Printer/Scanner/Fax Extended Survey Program**.

3. Seleccione **Cambiar (Change)**.

Si selecciona **Sí (Yes)** después de haber seguido las instrucciones en pantalla, la pantalla de confirmación se mostrará en el momento de la siguiente encuesta.

Si selecciona **No**, la información se enviará automáticamente.

»»» Nota

- Si selecciona **Desinstalar (Uninstall)**, se desinstalará Inkjet Printer/Scanner/Fax Extended Survey Program. Siga las instrucciones que aparecen en pantalla.

Lista de códigos de asistencia para errores

El código de asistencia aparece en la pantalla del ordenador cuando se produce un error.

Un "código de asistencia" hace referencia al número de error y aparece con un mensaje de error.

Si se produce un error, compruebe el código de asistencia mostrado en la pantalla del ordenador y adopte las medidas pertinentes.

El código de asistencia aparece en la pantalla del ordenador

- **Del 1000 al 1ZZZ**

[1000](#) [1200](#) [1300](#) 1403 [1430](#) 1470

1471 1472 1473 1474 1475 1476

[1640](#) [1700](#) 1701 [1890](#)

- **Del 3000 al 3ZZZ**

3442 3443 3444 3445

- **Del 5000 al 5ZZZ**

[5100](#) [5200](#) 5205 5206 5400 5700

[5B00](#) 5B01

- **Del 6000 al 6ZZZ**

[6000](#) 6800 6801 6930 6931 6932

6933 6940 6941 6942 6943 6944

6945 6946

- **Del A000 al ZZZZ**

B202 B203 B204 B205

Para ver los códigos de asistencia de atascos de papel, consulte también [Lista de códigos de asistencia en caso de error \(Atascos de papel\)](#).

Lista de códigos de asistencia en caso de error (Atascos de papel)

Si el papel está atascado, extráigalo siguiendo el procedimiento adecuado como se muestra a continuación.

- Si puede ver el papel atascado en la ranura de salida del papel o en la bandeja posterior:
 - [1300](#)
- Si puede no ver el papel atascado en la ranura de salida del papel o en la bandeja posterior:
 - [El papel está atascado dentro de la impresora](#)
- Otros casos distintos de los anteriores:
 - Otros casos

1300

Causa

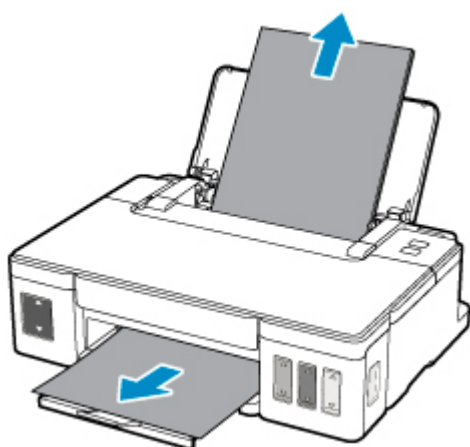
El papel está atascado en la ranura de salida del papel o en la bandeja posterior.

Qué hacer

Si el papel está atascado en la ranura de salida del papel o en la bandeja posterior, extraiga el papel atascado en la ranura de salida del papel o en la bandeja posterior siguiendo estas instrucciones.

1. Tire suavemente del papel, bien desde la ranura de salida del papel, bien desde la bandeja posterior, lo que le resulte más fácil.

Sujete el papel con las manos y tire de él suavemente para que no se rompa.



►► Nota

- Si no puede sacar el papel, vuelva a encender la impresora sin forzar la extracción. Puede que el papel se expulse automáticamente.
- Si el papel se atasca durante la impresión y tiene que apagar la impresora para quitarlo, pulse el botón **REANUDAR/CANCELAR (RESUME/CANCEL)** para detener el proceso de impresión antes de apagar la impresora.
- Si el papel se rompe y no puede extraer el papel atascado de la ranura de salida del papel o de la bandeja posterior, extraiga el papel del interior de la impresora.

■ [El papel está atascado dentro de la impresora](#)

2. Vuelva a cargar el papel y pulse el botón **REANUDAR/CANCELAR (RESUME/CANCEL)** de la impresora.

La impresora reanuda la impresión. Vuelva a imprimir la página que estaba imprimiendo si no se ha impreso correctamente debido a un atasco del papel.

Si apagó la impresora en el paso 1, los datos de impresión que se enviaron a la impresora se habrán borrado. Reanude el proceso de impresión.

»» Nota

- Al volver a cargar el papel, asegúrese de que utiliza un papel adecuado para imprimir y de que lo carga correctamente.
- Recomendamos utilizar tamaños de papel distintos del A5 para imprimir documentos con fotografías o gráficos. El papel en tamaño A5 podría arrugarse y atascarse al salir de la impresora.

Si con estos procedimientos no consigue resolver el problema, póngase en contacto con el centro de servicio técnico de Canon más cercano para solicitar una reparación.

»» Importante

- No incline la impresora cuando la mueva porque podría derramarse tinta.
- Cuando transporte la impresora para su reparación, consulte la sección Reparación de la impresora.

El papel está atascado dentro de la impresora

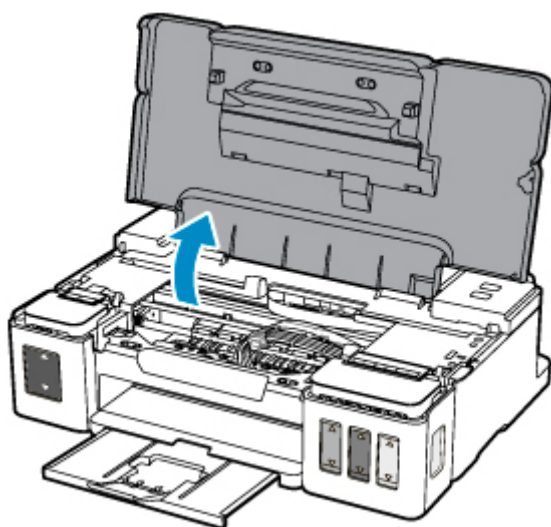
Si el papel atascado se rompe y no puede extraerlo ni de la ranura de salida del papel ni de la bandeja posterior, o bien el papel atascado permanece dentro de la impresora, siga estas instrucciones para extraer el papel.

»» Nota

- Si el papel se atasca durante la impresión y tiene que apagar la impresora para quitarlo, pulse el botón **REANUDAR/CANCELAR (RESUME/CANCEL)** para detener el proceso de impresión antes de apagar la impresora.

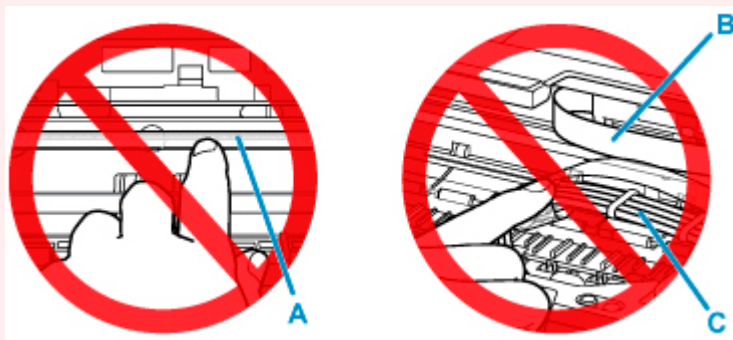
1. Apague la impresora y desenchúfela.

2. Abra la cubierta superior.



»» Importante

- No toque la película transparente (A), la tira blanca (B) ni los tubos (C).

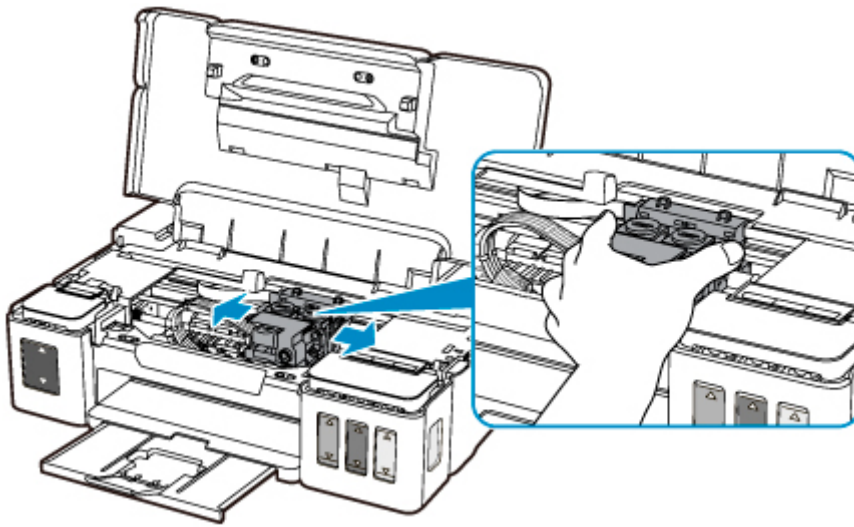


En el caso de que ensucie o arañe estas piezas al tocarlas con el papel o la mano, podría provocar daños en la impresora.

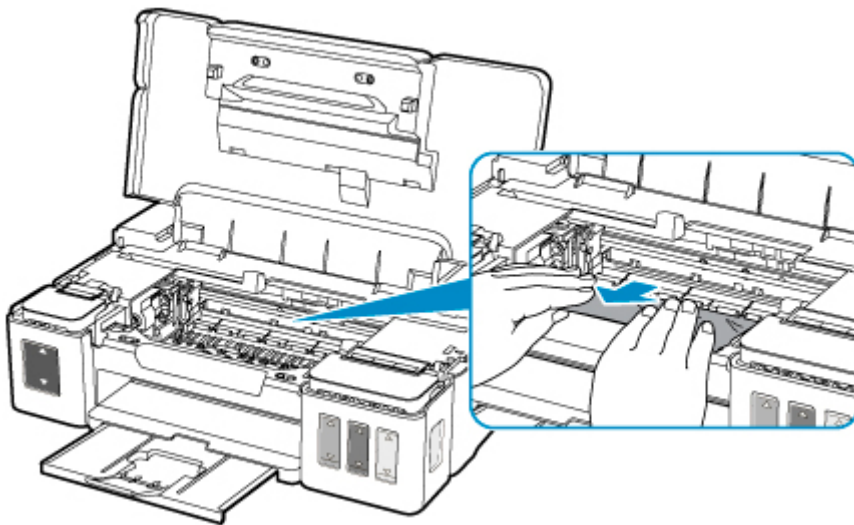
3. Compruebe que el papel atascado no está debajo del soporte de cartucho.

Si el papel atascado está debajo del soporte de cartucho, mueva el soporte de cartucho hacia la derecha o la izquierda, lo que le resulte más fácil para retirar el papel.

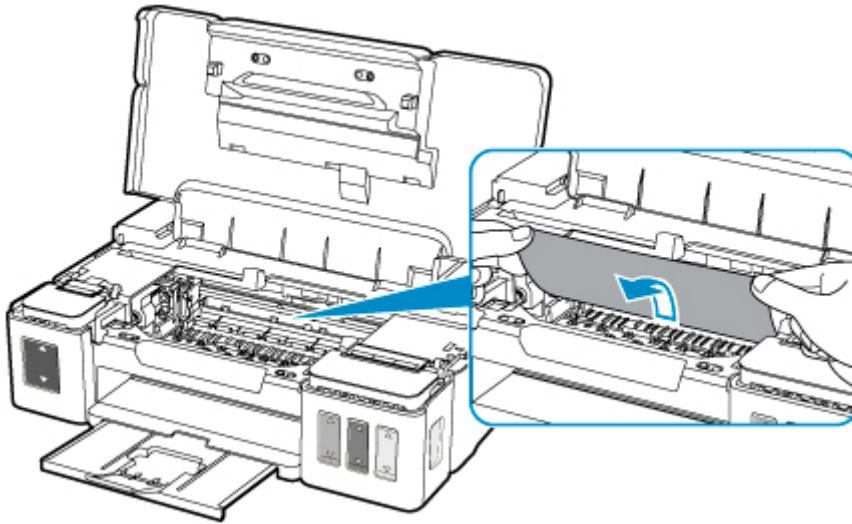
Cuando mueva el soporte de cartucho, sujete la parte superior del soporte de cartucho y deslícelo suavemente hacia la derecha o la izquierda.



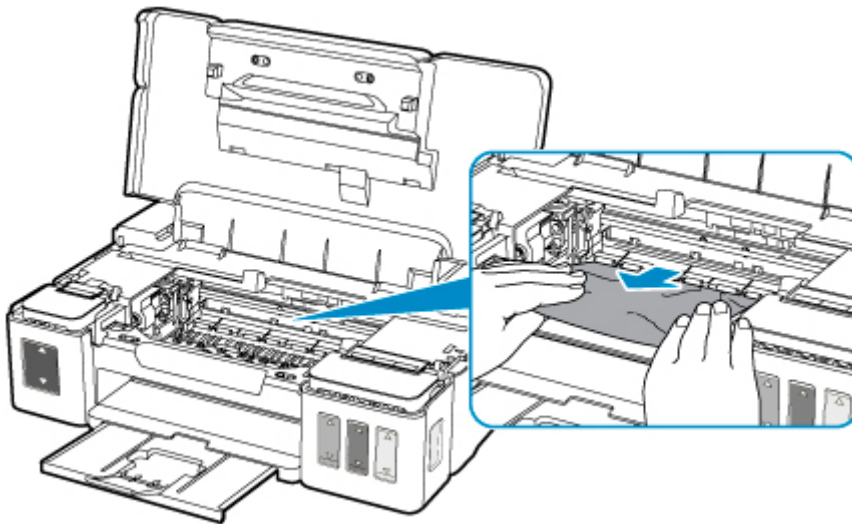
4. Sujete firmemente el papel atascado con las manos.



Si el papel está enrollado, retírelo.



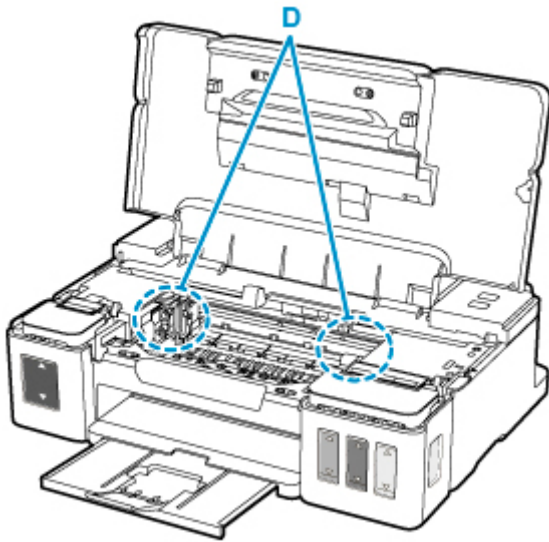
5. Tire del papel atascado lentamente para no romperlo.



6. Asegúrese de que retira todo el papel atascado.

Si el papel se rasga al tirar de él para sacarlo, es posible que queden restos de papel en la impresora. Compruebe lo que se indica a continuación y retire el trozo de papel que pueda haber quedado.

- ¿Queda papel debajo del soporte de cartucho?
- ¿Han quedado restos de papel en la impresora?
- ¿Queda papel en los espacios vacíos a izquierda y derecha (D) de la impresora?



7. Cierre la cubierta superior despacio.

Se cancelarán todos los trabajos de la cola de impresión. Reanude el proceso de impresión.

»» Nota

- Al volver a cargar el papel, asegúrese de que utiliza un papel adecuado para imprimir y de que lo carga correctamente. Si una vez retirado todo el papel atascado la pantalla del ordenador muestra un mensaje de atasco de papel al reanudar la impresión, es posible que todavía quede algún trozo en el interior de la impresora. Compruebe de nuevo la impresora por si hubieran quedado restos de papel.

Si con estos procedimientos no consigue resolver el problema, póngase en contacto con el centro de servicio técnico de Canon más cercano para solicitar una reparación.

»» Importante

- No incline la impresora cuando la mueva porque podría derramarse tinta.
- Cuando transporte la impresora para su reparación, consulte la sección Reparación de la impresora.

1000

Causa

Entre las posibles causas se incluyen las siguientes.

- No hay papel en la bandeja posterior.
- El papel no está cargado correctamente en la bandeja posterior.

Qué hacer

De las siguientes acciones, aplique la que corresponda.

- Cargue pape en la bandeja posterior.
- Alinee las guías del papel con ambos bordes del papel cuando cargue papel en la bandeja posterior.

Después de realizar las acciones anteriores, pulse el botón **REANUDAR/CANCELAR (RESUME/CANCEL)** de la impresora.

▶▶▶ Nota

- Pulse el botón **REANUDAR/CANCELAR (RESUME/CANCEL)** de la impresora para cancelar la impresión.

1200

Causa

La cubierta superior está abierta.

Qué hacer

Cierre la cubierta superior y espere un momento.

No lo cierre mientras esté rellenando un depósito de tinta.

1430

Causa

No se puede reconocer el cartucho.

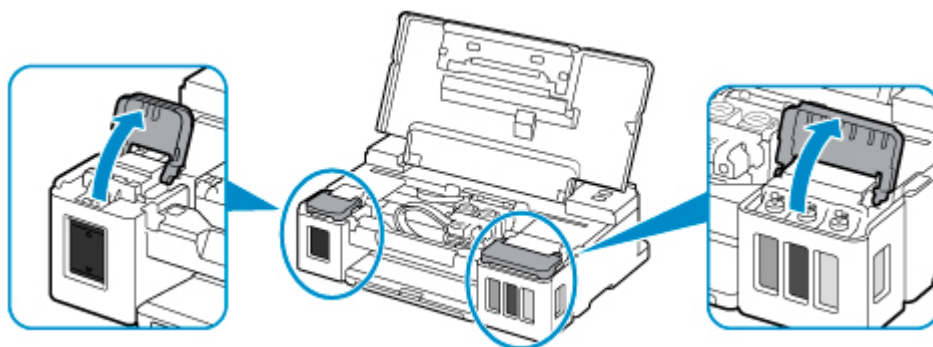
Qué hacer

Puede que no se haya instalado correctamente un cartucho o la impresora no admite los cartuchos.

Si está imprimiendo, pulse el botón **REANUDAR/CANCELAR (RESUME/CANCEL)** de la impresora para cancelar la impresión.

Retire los cartuchos y reinstálelos correctamente siguiendo estos pasos. Esto puede resolver el error.

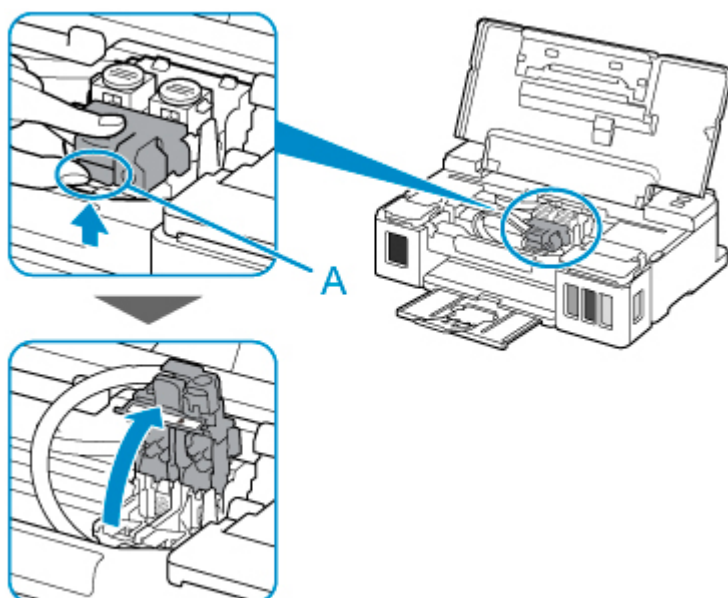
1. Abra la cubierta superior.
2. Abra las cubiertas del depósito de tinta derecha e izquierda.



►►► Importante

- Cuando quite los cartuchos, abra siempre las cubiertas del depósito de tinta. Si se quitan los cartuchos sin abrir las cubiertas del depósito de tinta, se necesitará una descarga de tinta que consumirá una gran cantidad de tinta.

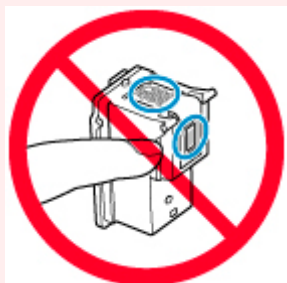
3. Agarre el botón (A) de la tapa de bloqueo del cartucho para abrirla.



4. Retire los cartuchos C (negro) y B (color).

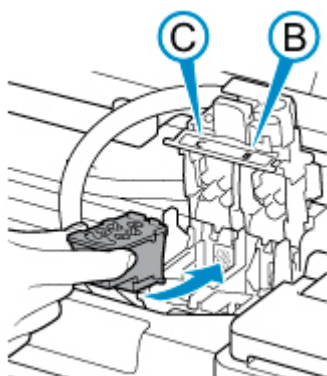
»» Importante

- Cuando retire los cartuchos, manéjelos cuidadosamente para que la tinta no salpique.
- No toque el tubo ni cualquier otra pieza del interior de la impresora. Tocar estas partes puede provocar que la impresora no funcione como es debido.
- No toque la terminal dorada ni los inyectores del cabezal de impresión de un cartucho. Si lo hace, es posible que la impresora no imprima correctamente.



5. Reinstale los cartuchos correctamente.

Instale el cartucho C (color) en el soporte de la izquierda y el cartucho B (negro) en el soporte de la derecha.

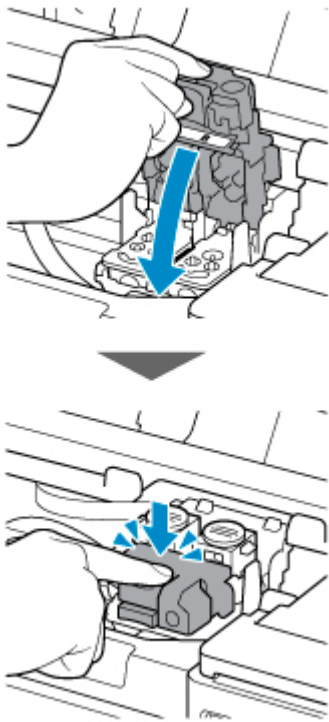


»» Importante

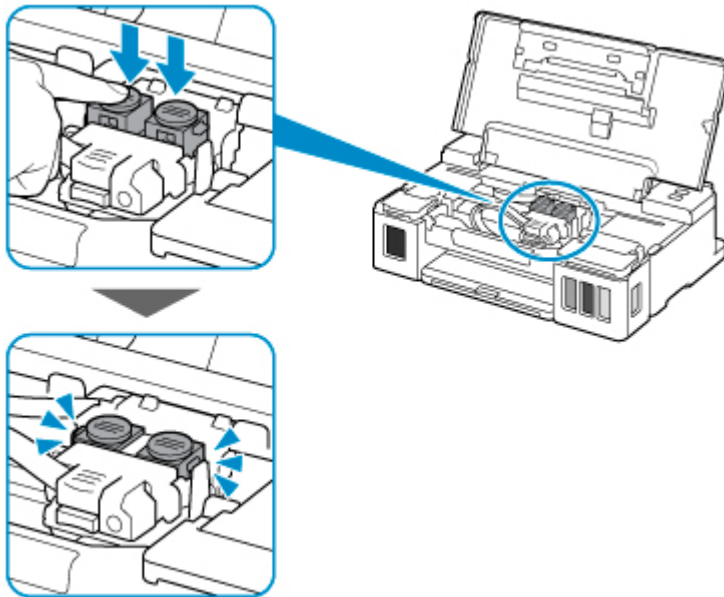
- Inserte con cuidado el cartucho para que los contactos eléctricos no toquen la parte trasera del soporte de cartucho.



6. Cierre la tapa de bloqueo del cartucho y empújela hacia abajo.

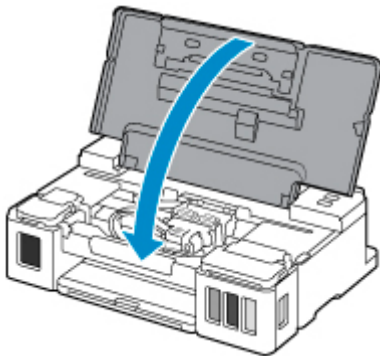


7. Pulse los dos botones de unión.



8. Cierre las dos cubiertas del depósito de tinta.

9. Cierre la cubierta superior despacio.



Si con este procedimiento no consigue resolver el problema, póngase en contacto con el centro de servicio técnico de Canon más cercano para solicitar una reparación.

»»» Importante

- No incline la impresora cuando la mueva porque podría derramarse tinta.
- Cuando transporte la impresora para su reparación, consulte la sección Reparación de la impresora.

1640

Causa

El nivel de tinta restante en uno de los depósitos de tinta puede haber alcanzado la línea de límite inferior del depósito de tinta.

Qué hacer

Para comprobar el nivel de tinta restante, inspeccione visualmente la tinta restante en el depósito de tinta.

Si el nivel de tinta restante se encuentra por debajo de la línea de límite inferior, rellene el depósito de tinta con el color de tinta correspondiente.

■ [Cómo rellenar depósitos de tinta](#)

Si la impresión continúa cuando el nivel de tinta restante se encuentra por debajo de la línea de límite inferior, la impresora puede consumir cierta cantidad de tinta para volver al estado de impresión y también puede dañarse.

Para seguir imprimiendo, pulse el botón **REANUDAR (RESUME)** de la impresora.

Después de esta operación, la función de notificación del nivel de tinta restante no funcionará.

Para volver a usar esta función, rellene todos los colores de tinta hasta la línea de límite superior del depósito de tinta y pulse el botón **REANUDAR (RESUME)** de la impresora por lo menos durante 5 segundos. Si alguno de los depósitos de tinta no se rellena hasta la línea de límite superior, puede producirse un notable error en la precisión de la función de notificación del nivel de tinta restante.

1700

Causa

El absorbedor de tinta está casi lleno.

Qué hacer

Pulse el botón **REANUDAR/CANCELAR (RESUME/CANCEL)** de la impresora para seguir imprimiendo. Póngase en contacto con el centro de servicio técnico de Canon más cercano para solicitar una reparación.

»» Importante

- No incline la impresora cuando la mueva porque podría derramarse tinta.
- Cuando transporte la impresora para su reparación, consulte la sección Reparación de la impresora.

1890

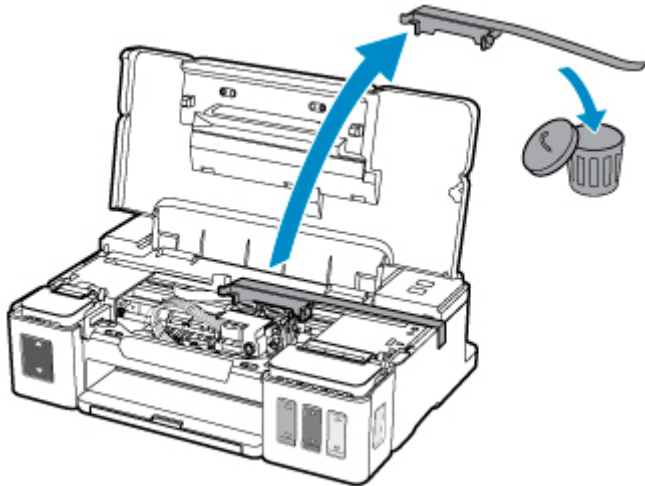
Causa

La cinta o el material de protección puede seguir en el soporte de cartucho.

Qué hacer

Abra la cubierta superior y, a continuación, compruebe que ni el material de protección ni la cinta siguen en el soporte de cartucho.

Si ve que el material de protección o la cinta siguen en el soporte, retírelos y cierre la cubierta superior.



Si con este procedimiento no consigue resolver el problema, póngase en contacto con el centro de servicio técnico de Canon más cercano para solicitar una reparación.

►► Importante

- No incline la impresora cuando la mueva porque podría derramarse tinta.
- Cuando transporte la impresora para su reparación, consulte la sección Reparación de la impresora.

5100

Causa

Se ha producido un error en la impresora.

Qué hacer

Cancele la impresión y apague la impresora.

Compruebe lo siguiente:

- Asegúrese de que elementos como papel atascado o estabilizadores no obstaculicen el movimiento del soporte de cartucho.

Elimine todo obstáculo.

- Asegúrese de que los cartuchos se han instalado correctamente.

Abra la cubierta superior y, a continuación, empuje la tapa de bloqueo del cartucho a fin de garantizar que los cartuchos están correctamente instalados.

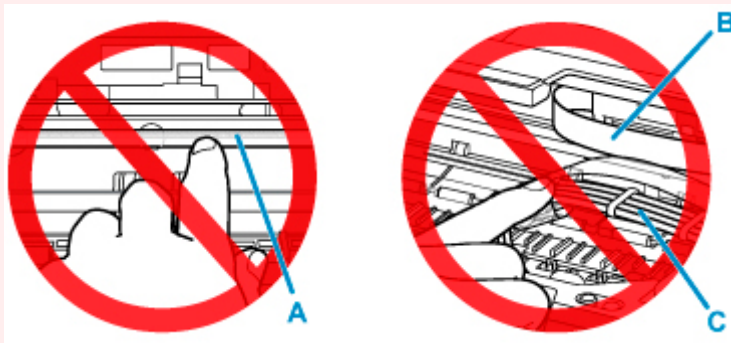
Como alternativa, empuje los botones de unión hasta que encajen en su lugar.

Vuelva a encender la impresora.

Si con este procedimiento no consigue resolver el problema, póngase en contacto con el centro de servicio técnico de Canon más cercano para solicitar una reparación.

»» Importante

- Al borrar los elementos que obstaculicen el movimiento del soporte del cartucho tenga cuidado de no tocar la película transparente (A), la tira blanca (B) ni los tubos (C).



En el caso de que ensucie o arañe estas piezas al tocarlas con el papel o la mano, podría provocar daños en la impresora.

- No incline la impresora cuando la mueva porque podría derramarse tinta.
- Cuando transporte la impresora para su reparación, consulte la sección Reparación de la impresora.

5200

Causa

Se ha producido un error en la impresora.

Qué hacer

Compruebe el nivel de tinta restante y, a continuación, rellene el depósito de tinta si resulta necesario.

Apague la impresora y desenchúfela.

Espere aproximadamente 10 minutos.

Enchufe de nuevo la impresora y vuelva a encenderla.

Si se rellena el depósito de tinta porque esta se está agotando, realice un vaciado de tinta.

■ Limpieza de los cabezales de impresión

Si con este procedimiento no consigue resolver el problema, póngase en contacto con el centro de servicio técnico de Canon más cercano para solicitar una reparación.

►► Importante

- No incline la impresora cuando la mueva porque podría derramarse tinta.
- Cuando transporte la impresora para su reparación, consulte la sección Reparación de la impresora.

5B00

Causa

Se ha producido un error en la impresora.

Qué hacer

Póngase en contacto con el centro de servicio técnico de Canon más cercano para solicitar una reparación.

►► Importante

- No incline la impresora cuando la mueva porque podría derramarse tinta.
- Cuando transporte la impresora para su reparación, consulte la sección Reparación de la impresora.

6000

Causa

Se ha producido un error en la impresora.

Qué hacer

Si el papel está atascado, extráigalo en función de dónde esté el atasco y la causa.

- [Lista de códigos de asistencia en caso de error \(Atascos de papel\)](#)

Apague la impresora y desenchúfela.

Enchufe de nuevo la impresora y vuelva a encenderla.

Si con este procedimiento no consigue resolver el problema, póngase en contacto con el centro de servicio técnico de Canon más cercano para solicitar una reparación.

►► Importante

- No incline la impresora cuando la mueva porque podría derramarse tinta.
- Cuando transporte la impresora para su reparación, consulte la sección Reparación de la impresora.