



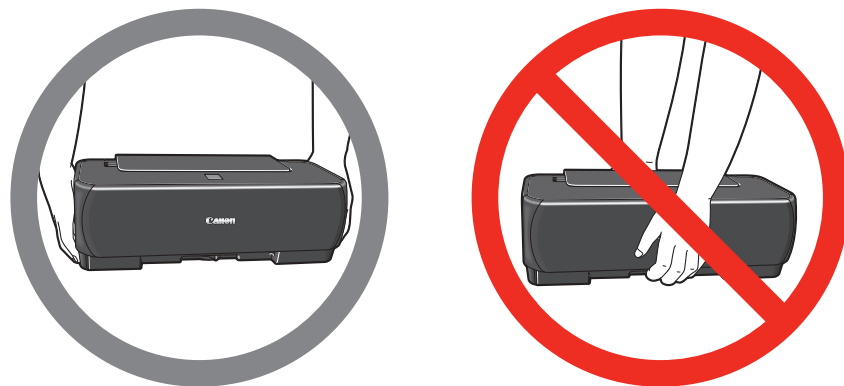
Unpack the Printer

- Please confirm the included items against the illustration printed on the lid of the packing box.
- A USB cable is necessary to connect the printer with your computer.

# 1 Prepare the Printer

**Note**

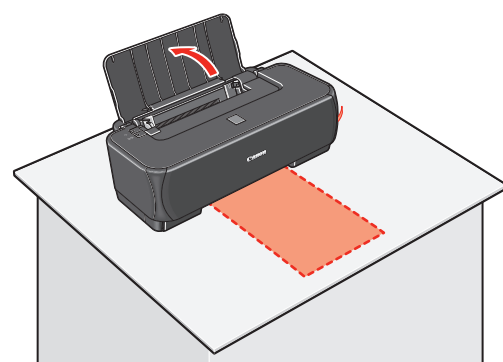
When moving the printer, carry the printer at both ends as shown below.



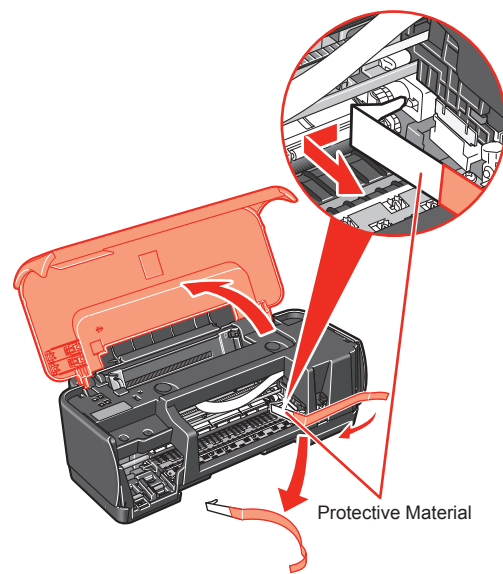
- 1 Place the printer on a flat and horizontal surface, and do not place any objects in front of the printer.

Pull up the Shipping tape on the top of the printer, and remove it together with the Protective Sheet. Remove all the rest of the Protective Sheets.

Then open the Paper Support.



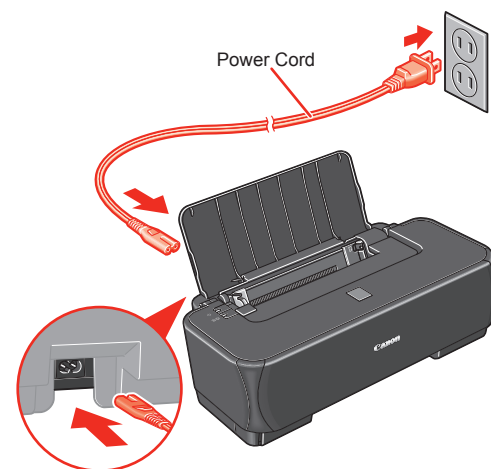
- 2 Open the Front Cover, then remove the Protective Material on the right side.



**Caution**  
Before turning on the printer, remove all of the shipping tapes.

- 3 Close the Front Cover.

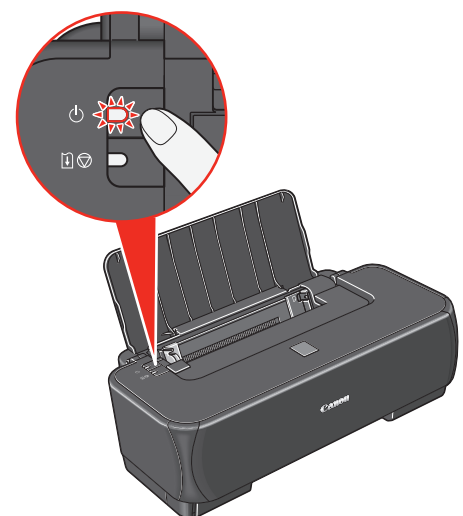
- 4 Plug the power cord in the back of the printer and connect the other end to the wall outlet.



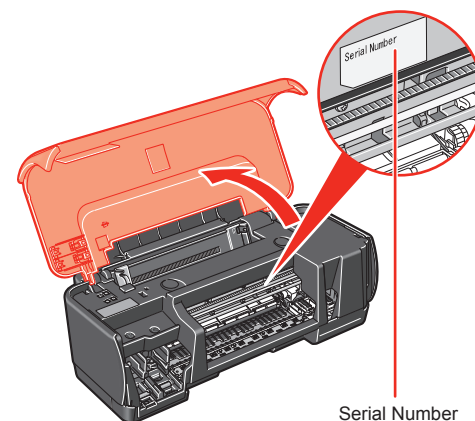
**Note**

Do NOT connect the USB cable at this stage.

- 5 Press the **POWER** button to turn on the printer. The printer will initialize. Wait until the **POWER** lamp stops flashing and remains lit green.



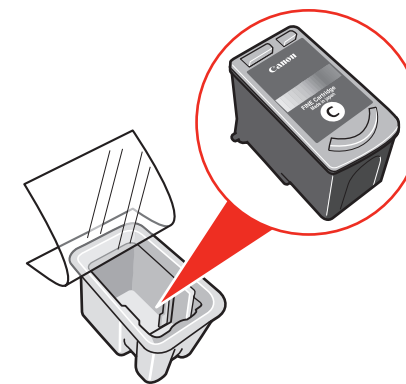
- 6 Open the Front Cover. The FINE Cartridge Holder automatically moves to the left.



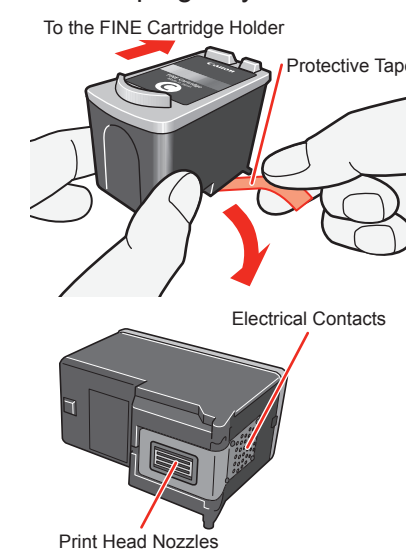
- 7 Write down the serial number located inside the printer. You will need this to register your product.

# 2 Install the FINE Cartridges

- 1 Remove the Color FINE Cartridge from its box.



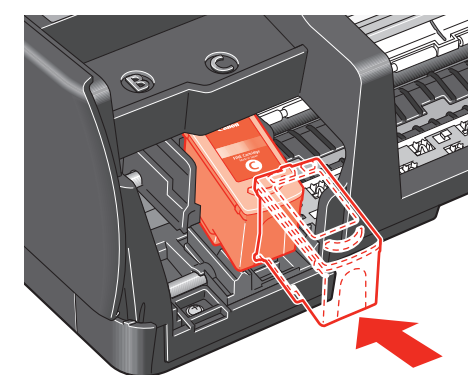
- 2 Remove the Protective Tape gently.



**Note**

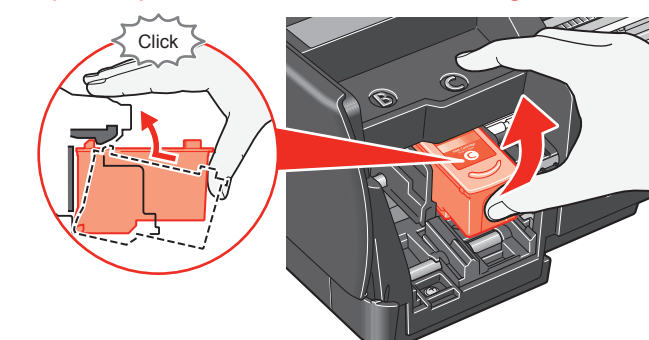
- Do not touch the electrical contacts or Print Head Nozzles on a FINE Cartridge. The printer may not print out properly if you touch it.
- Do not reattach the Protective Tape once you have removed it.
- Be careful not to stain your hands or surrounding work area with ink on the removed Protective Tape.

- 3 Insert the Color FINE Cartridge slightly slanted into the right slot (C).

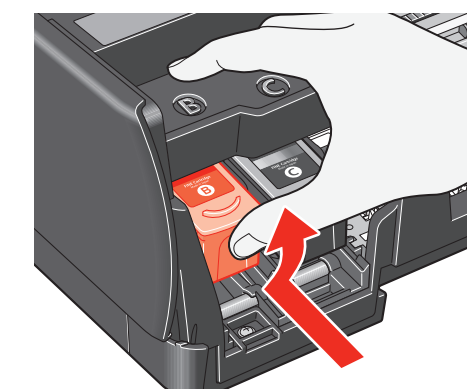


- 4 Push up the FINE Cartridge until it clicks into place.

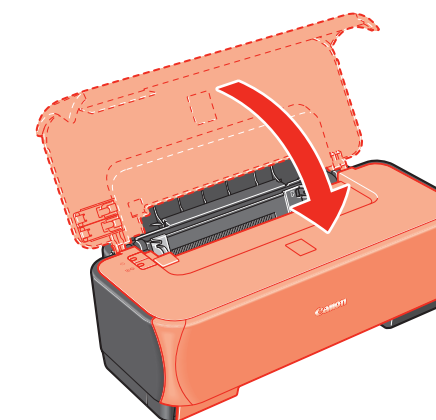
**Important**  
For correct printer operation, make sure the FINE Cartridge is secure in slots.



- 5 Repeat the procedure for the Black FINE Cartridge, inserting it into the left slot (B).



- 6 Close the Front Cover.



**Important**  
Once you have installed the FINE Cartridges, the POWER lamp will flash green. Wait for about one to two minutes, until the POWER lamp stops flashing and remains lit green and the printer has stopped making operating noises, before proceeding.

Hardware setup is complete.



## Windows® Printer Driver Installation

Windows

**Note**

- The screens below refer to Windows XP Service Pack 2 installation. Screens may vary depending on the operating system you are using.
- For Windows XP or Windows 2000, log on to Windows as a member of the Administrators group before continuing.
- Before installing the driver, disable all anti-virus programs and automatically loading programs.

**1 Be sure to TURN THE PRINTER OFF before continuing.**

- Press the **POWER** button.
- Make sure that the **POWER** lamp stops flashing.

**2 Turn the computer on and start Windows.**

**Important**  
If you see the Found New Hardware Wizard, remove the USB cable. Click **Cancel** to quit the screen. Next, turn off the printer. Then proceed from step 3 to install the printer driver.



**3 Insert the Setup CD-ROM. The setup program should run automatically.**

**Note**  
The setup program should run automatically. If the installer in the CD-ROM does not run automatically, click **Start** and select **My Computer**, then double-click the **CD-ROM** icon.

**4 When the main menu appears, click **Easy Install**.**



**Note**

- Select **Easy Install** in order to install the printer driver, on-screen manuals, and application software. Select **Custom Install** in order to choose the options you would like to install.
- To install Adobe® RGB (1998), click **Custom Install** and follow the on-screen instructions.

**5 When the list of applications to install appears, confirm the contents, click **Install**.**

**Note**

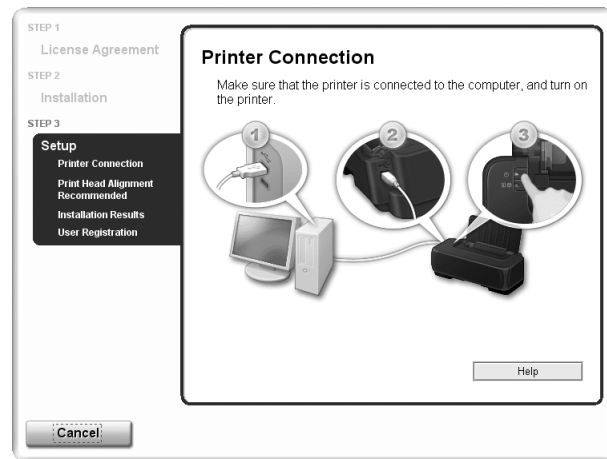
Move the cursor over items to display explanations of each application.

**6 Read the License Agreement carefully and click **Yes**. Follow the on-screen instructions to install the software. If a message asking for your confirmation to restart your computer appears, click **OK**.**

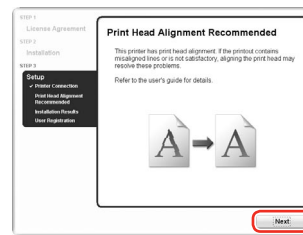
**7 When the **Printer Connection** screen appears, connect one end of the USB cable to the computer, the other to the printer, then **TURN THE PRINTER ON**. The software will begin identifying the printer port being used.**

**Important**

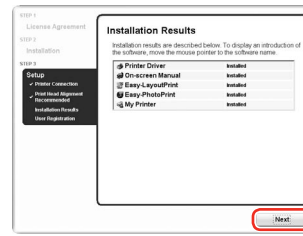
If you cannot go to the next procedure after two minutes, refer to "Troubleshooting" instructions in the *User's Guide* on-screen manual.



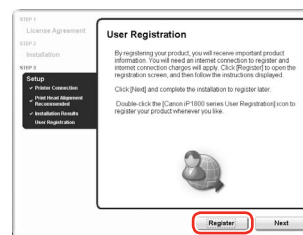
**8 When the **Print Head Alignment Recommended** screen appears, click **Next**.**



**9 When the **Installation Results** screen appears, click **Next**.**



**10 When the **User Registration** screen appears, click **Register**. If a message asking for your confirmation to restart your computer appears, click **OK**.**



**Note**

- Follow on-screen instructions to register your product. You will need your product serial number, which is located on the inside of the printer. See Step 1-7 on the front page. If you intend to register later, double-click on the desktop after Step 10.
- If your computer is not connected to the Internet, click **Next**.
- We would appreciate it if you would take part in the **PIXMA Extended Survey Program** regarding the use of Canon printers. For details, refer to the on-screen instructions.

**11 When the **Installation completed successfully** screen appears, click **Exit**.**

If **Restart** is displayed, make sure that the **Restart the system now (recommended)** check box is selected, then click **Restart**.

**Note**

If the straight line is misaligned or print quality is not satisfactory after installing the printer driver, you may need to align the Print Head. Refer to "Aligning the Print Head" in the *Quick Start Guide*.

**Software installation is now complete.**

## Macintosh® Printer Driver Installation

Macintosh

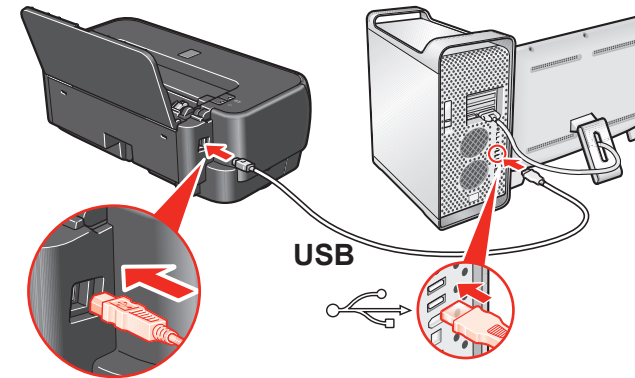
**Important**

Since **Mac OS 9**, **Mac OS X Classic environments**, or **Mac OS X v.10.2.7 or earlier** are not supported, do not connect the printer to these.

**Note**

- Use Mac OS X v.10.2.8 to 10.4.x.
- The screens below refer to Mac OS X v.10.4.x installation. Screens may vary depending on the operating system you are using.
- Log on as an Administrator before continuing.
- Before installing the driver, disable all anti-virus programs and automatically loading programs.

**1 Connect one end of the USB cable to the computer, the other to the printer.**



**2 Turn on your Mac and your printer and insert the Setup CD-ROM.**

**Note**

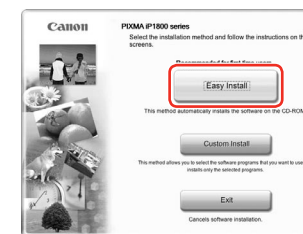
If the **CD-ROM** folder does not open automatically, double-click the **CD-ROM** icon on the desktop.

**3 Double-click the **Setup** icon.**

**4 When the **Authenticate** screen appears, enter your administrator name and password. Click **OK**.**

If you do not know your administrator name or password, click **?**, then follow the on-screen instructions.

**5 When the main menu appears, click **Easy Install**.**



**Note**

Select **Easy Install** in order to install the printer driver, on-screen manuals, and application software. Select **Custom Install** in order to choose the options you would like to install.

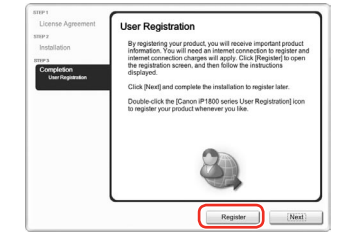
**6 When the list of applications to install appears, confirm the contents, then click **Install**.**

**Note**

Move the cursor over items to display explanations of each application.

**7 Read the License Agreement carefully and click **Yes**. Follow the on-screen instructions to install the software.**

**8 When the **User Registration** screen appears, click **Register**.**



**Note**

- Follow on-screen instructions to register your product. You will need your product serial number, which is located on the inside of the printer. See Step 1-7 on the front page. If you intend to register later, double-click on the desktop after Step 10.
- If your computer is not connected to the Internet, click **Next**.

**9 When the **Installation completed successfully** screen appears, click **Restart**.**



The system is restarted automatically.

**10 After restarting the computer, start **Printer Setup Utility** (start **Print Center** if you are using Mac OS X v.10.2.8) and then check that the printer name you want to use is shown in **Printer List**. If the printer name is not displayed, click **Add** to add the printer.**

For more detailed instructions, refer to the Mac on-screen Help.

**Note**

If the straight line is misaligned or print quality is not satisfactory after installing the printer driver, you may need to align the Print Head. Refer to "Aligning the Print Head" in the *Quick Start Guide*.

**Software installation is now complete.**

**Register your Canon PIXMA printer today, and you will be entitled to the following benefits:**

**Canon Sweepstakes!!!**

Register your PIXMA product and you will be automatically entered to win great Canon prizes! Visit <http://www.usa.canon.com/sweepstakes01> for details.

**Receive information on new products, tips and promotions**

Receive our monthly Printer Newsletter with Canon savings, fun Creative Park projects, and helpful tips.

**Receive software upgrades**

Canon USA often updates the software for its printers. You will be among the first to receive notifications.

**Protect your product**

We will keep the model number and date of purchase of your new Canon PIXMA printer on file to help you refer to this information and expedite your call in the event of an insurance claim such as loss or theft.