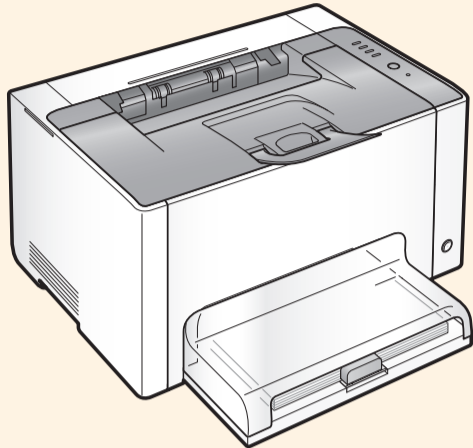


# Quick Setup Guide

**KOR** 간편 설치 안내서      **THA** คู่มือการติดตั้งด่วน      **VIE** Hướng dẫn Cài đặt Nhanh



## Read this guide first.

Please read this guide before operating this product. After you finish reading this guide, store it in a safe place for future reference.

- KOR** 먼저 본 설명서를 읽어 주십시오.  
본 제품을 사용하기 전에 설명서를 읽어 주십시오.  
본 설명서를 다 읽은 후 나중에 참고할 수 있도록 안전한 곳에 보관하십시오.
- THA** อ่านคู่มือฉบับนี้ก่อน  
โปรดอ่านคู่มือฉบับนี้ก่อนใช้ผลิตภัณฑ์  
หลังจากที่อ่านคู่มือฉบับแล้ว ให้เก็บไว้ในที่ปลอดภัยเพื่อการอ้างอิงในภายหน้า
- VIE** Đọc sổ tay hướng dẫn này trước tiên.  
Hãy đọc sổ tay hướng dẫn này trước khi vận hành sản phẩm này.  
Sau khi bạn đọc xong sổ tay hướng dẫn này, hãy cất nó ở một nơi an toàn để tham khảo về sau.

## Before installing the printer, read the cautions carefully which are described below.

- KOR** 프린터를 설치하기 전에 아래에 설명된 주의사항을 잘 읽어 주십시오.
- THA** ก่อนการติดตั้งเครื่องพิมพ์ โปรดอ่านข้อควรระวังซึ่งอธิบายไว้ด้านล่างนี้ให้ละเอียด
- VIE** Trước khi cài đặt máy in, hãy đọc cẩn thận những thận trọng được mô tả bên dưới.



RT5-0685 (000)      XXXXXXXXXXX      © CANON INC. 2011      PRINTED IN CHINA

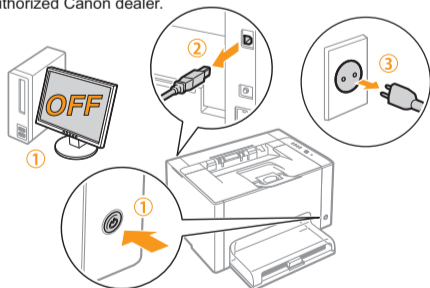
## Important Safety Instructions

This manual describes only warnings and cautions for the installation and the power supply. Be sure to read "Important Safety Instructions" described in the e-Manual (HTML manual) included in the supplied CD-ROM also.



### Installation

- WARNING**
    - Do not install the printer in a location near alcohol, paint thinner, or other flammable substances. If flammable substances come into contact with electrical parts inside the printer, this may result in a fire or electrical shock.
    - Do not place the following items on the printer.
      - Necklaces and other metal objects
      - Cups, vases, flowerpots, and other containers filled with water or liquids
- If these items come into contact with a high-voltage area inside the printer, this may result in a fire or electrical shock. If these items are dropped or spilled inside the printer, immediately turn OFF the power switch (1) and disconnect the interface cables if they are connected (2). Then, unplug the power plug from the AC power outlet (3) and contact your local authorized Canon dealer.



- CAUTION**
  - Do not install the printer in unstable locations, such as on unsteady platforms or inclined floors, or in locations subject to excessive vibrations, as this may cause the printer to fall or tip over, resulting in personal injury.
  - The ventilation slots are provided for proper ventilation of working parts inside the printer. Never place the printer on a soft surface, such as a bed, sofa, or rug. Blocking the slots can cause the printer to overheat, resulting in a fire.
  - Do not install the printer in the following locations, as this may result in a fire or electrical shock.
    - A damp or dusty location
    - A location exposed to smoke and steam, such as near a cookery or humidifier
    - A location exposed to rain or snow
    - A location near a water faucet or water
    - A location exposed to direct sunlight
    - A location subject to high temperatures
    - A location near open flames
  - When installing the printer, gently lower the printer to the installation site so as not to catch your hands between the printer and the floor or between the printer and other equipment, as this may result in personal injury.
  - When connecting the interface cable, connect it properly by following the instructions in the e-Manual. If not connected properly, this may result in malfunction or electrical shock.
  - When moving the printer, follow the instructions in the e-Manual to hold it correctly. Failure to do so may cause you to drop the printer, resulting in personal injury.

### Symbols

- WARNING** Indicates a warning concerning operations that may lead to death or injury to persons if not performed correctly. To use the machine safely, always pay attention to these warnings.
- CAUTION** Indicates a caution concerning operations that may lead to injury to persons if not performed correctly. To use the machine safely, always pay attention to these cautions.

### Power Supply

- WARNING**
  - Do not damage or modify the power cord. Also, do not place heavy objects on the power cord or pull on or excessively bend it, as this can cause electrical damage, resulting in fire or electrical shock.
  - Keep the power cord away from all heat sources. Failure to do so can cause the power cord insulation to melt, resulting in a fire or electrical shock.
  - The power cord should not be taut, as this may lead to a loose connection and cause overheating, which could result in a fire.
  - The power cord may become damaged if it is stepped on, fixed with staples, or if heavy objects are placed on it. Continued use of a damaged power cord can lead to an accident, such as a fire or electrical shock.
  - Do not plug or unplug the power plug with wet hands, as this can result in electrical shock.
  - Do not plug the power cord into a multi-plug power strip, as this can result in a fire or electrical shock.
  - Do not bundle up or tie up the power cord in a knot, as this can result in a fire or electrical shock.
  - Insert the power plug completely into the AC power outlet. Failure to do so can result in a fire or electrical shock.
  - If excessive stress is applied to the connection part of the power cord, it may damage the power cord or the wires inside the machine may disconnect. This could result in a fire. Avoid the following situations:
    - Connecting and disconnecting the power cord frequently.
    - Tripping over the power cord.
    - The power cord is bent near the connection part, and continuous stress is being applied to the power outlet or the connection part.
    - Applying a shock to the power connector.
  - Do not use power cords other than the one provided, as this can result in a fire or electrical shock.
  - As a general rule, do not use extension cords. Using an extension cord may result in a fire or electrical shock.
- CAUTION**
  - Do not use a power supply voltage other than that listed herein, as this may result in a fire or electrical shock.
  - Always grasp the power plug when unplugging the power plug. Do not pull on the power cord, as this may expose the core wire of the power cord or damage the cord insulation, causing electricity to leak, resulting in a fire or electrical shock.
  - Leave sufficient space around the power plug so that it can be unplugged easily. If objects are placed around the power plug, you may be unable to unplug it in an emergency.

### English

- WARNING** To avoid the risk of personal injury or damage to the printer, and for legal information, make sure to read the "Legal Notices" and "Important Safety Instructions" in the e-Manual included on the accompanying CD-ROM carefully before using the printer.



User Software

### 한국어

- 경고** 인적 부상 또는 프린터의 손상을 피하기 위해서, 그리고 법적 정보에 관해서는 프린터 사용 전에 부착된 CD-ROM에 포함된 전자설명서의 "법적 고지 사항" 및 "주요 안전 지침" 을 잘 읽어 주십시오.



사용자 소프트웨어

### ภาษาไทย

- คำเตือน** เพื่อป้องกันความเสี่ยงต่อการบาดเจ็บทางร่างกายหรือความเสียหาย ต่อเครื่องพิมพ์ตลอดจนข้อมูลทางด้านกฎหมาย ขอให้ท่าน "ขอความทางกฎหมาย" และ "คำแนะนำด้านความปลอดภัยที่สำคัญ" ในคู่มือแบบอิเล็กทรอนิกส์ที่รวมอยู่ในแผ่น CD-ROM ที่ใหม่นี้อย่างระมัดระวังก่อนใช้เครื่องพิมพ์



ซอฟต์แวร์สำหรับผู้ใช้

### Tiếng Việt

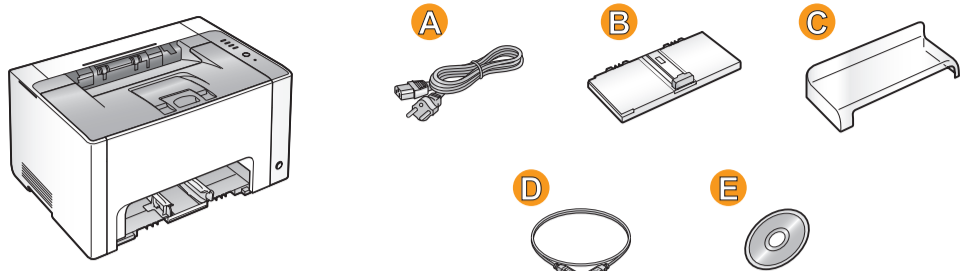
- CẢNH BÁO** Để tránh rủi ro về thương tích cá nhân hoặc hư hỏng máy in, và để biết thông tin pháp lý, đảm bảo đọc "Các Lưu Ý Về Luật Pháp" và "Các Chỉ dẫn An toàn Quan trọng" trong Hướng dẫn sử dụng điện tử có trong CD-ROM đi kèm một cách cẩn thận trước khi sử dụng máy in.



Phần mềm dành cho người dùng

# 1 Confirm the supplied accessories.

**KOR** 부속된 액세서리를 확인해 주십시오. **THA** ตรวจสอบอุปกรณ์เสริมที่นำมา **VIE** Xác nhận các phụ kiện đi kèm.



## Remove all the tape.

**KOR** 모든 테이프를 제거합니다. **THA** ดึงเทปออกทั้งหมด **VIE** Tháo dải băng.

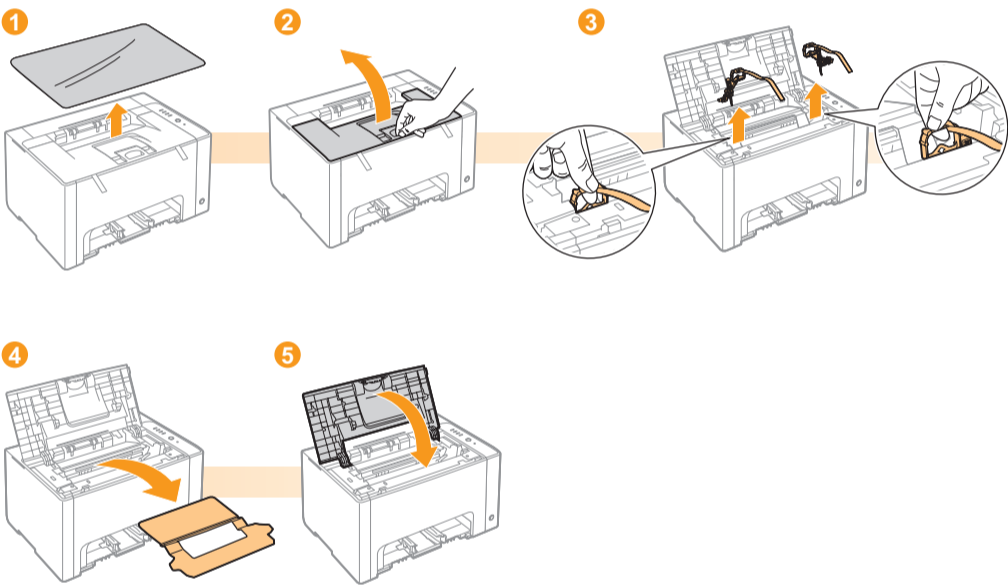


Remove all the orange tape attached to the printer when performing the following procedure. The packing materials may be changed in form or placement, or may be added or removed without notice.

**KOR** 다음 절차를 실행할 때에는 프린터에 부착된 모든 오렌지색 테이프를 제거해 주십시오. 포장재는 형태가 변경되거나 교체되거나, 또는 사전 공지없이 추가 또는 제거될 수 있습니다.  
**THA** ดึงเทปสีส้มที่ติดอยู่กับเครื่องพิมพ์ออกขณะที่ปฏิบัติตามขั้นตอนดังต่อไปนี้  
**VIE** Tháo toàn bộ dải băng màu cam dính trên máy in khi thực hiện quy trình sau đây.  
 Vật liệu đóng gói có thể được thay đổi hình thức hoặc vị trí hay được thêm hoặc bỏ đi mà không báo trước.

# 2 Remove the packing materials.

**KOR** 포장재를 제거해 주십시오. **THA** นำวัสดุหีบห่อออก **VIE** Gỡ bỏ vật liệu đóng gói.



## Check!

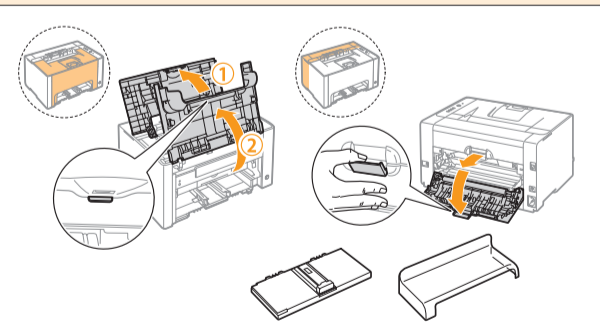
Did you remove all the packing materials?

**KOR** 모든 포장재를 제거했습니까?  
**THA** คุณได้นำวัสดุหีบห่อออกทั้งหมดหรือไม่?  
**VIE** Bạn đã gỡ bỏ tất cả vật liệu đóng gói chưa?



Make sure that all the orange tape is completely removed.

**KOR** 모든 오렌지색 테이프는 반드시 완전히 제거해 주십시오.  
**THA** ตรวจสอบให้แน่ใจว่าดึงเทปสีส้มออกจนหมดแล้ว  
**VIE** Đảm bảo toàn bộ dải băng màu cam đã được tháo hoàn toàn.

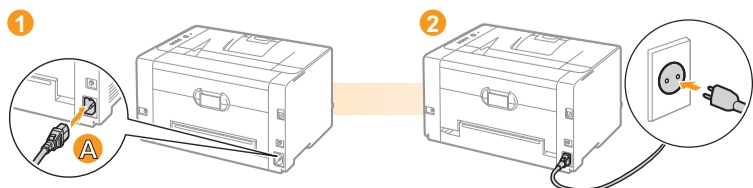


Close the covers after you finish checking.

**KOR** 확인이 끝나면 커버를 닫아 주십시오.  
**THA** มีดฝาครอบหลังจากที่ตรวจสอบเสร็จแล้ว  
**VIE** Đóng nắp sau khi bạn kiểm tra xong.

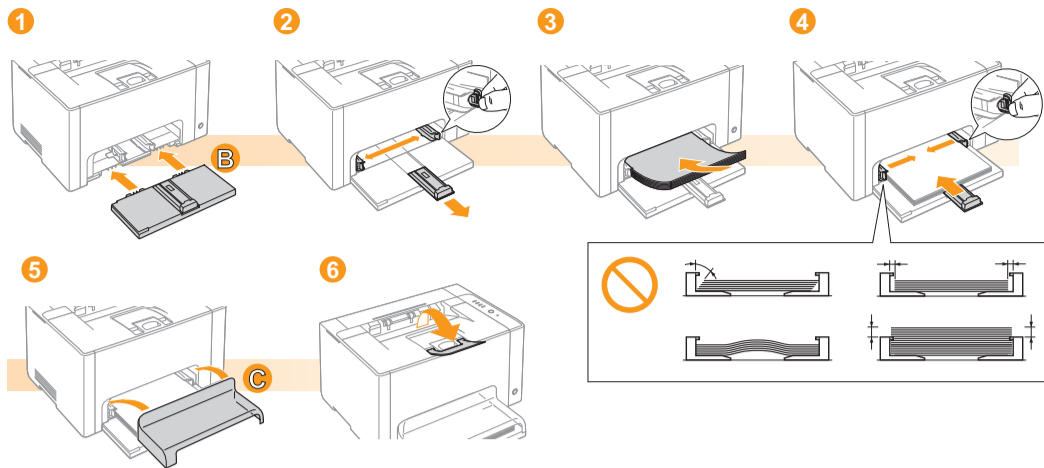
# 3 Connect the power cord.

**KOR** 전원 코드를 연결합니다. **THA** เสียบสายไฟ **VIE** Kết nối dây nguồn.



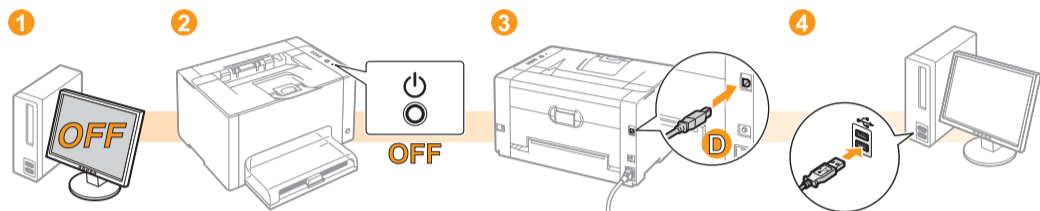
# 4 Load paper.

**KOR** 용지를 넣습니다. **THA** ใส่กระดาษ **VIE** Nạp giấy.



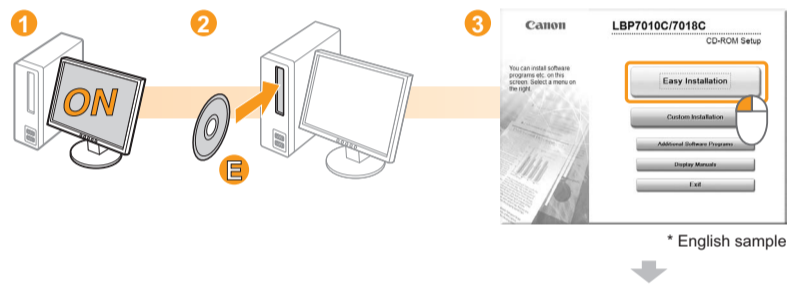
# 5 Connect the printer and computer.

**KOR** 프린터와 컴퓨터를 연결합니다. **THA** เชื่อมต่อเครื่องพิมพ์เข้ากับคอมพิวเตอร์ **VIE** Kết nối máy in và máy tính.



# 6 Install the driver.

**KOR** 드라이버를 설치합니다. **THA** ติดตั้งไดรเวอร์ **VIE** Cài đặt trình điều khiển.

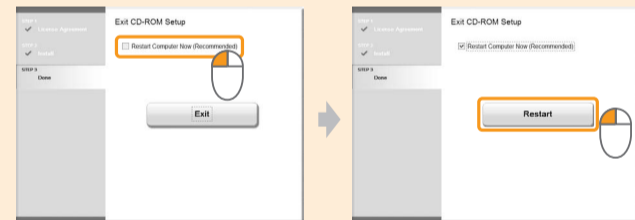


Follow the instructions on the screen.

**KOR** 화면의 지시에 따릅니다. **THA** ปฏิบัติตามคำแนะนำบนหน้าจอ **VIE** Làm theo hướng dẫn trên màn hình.

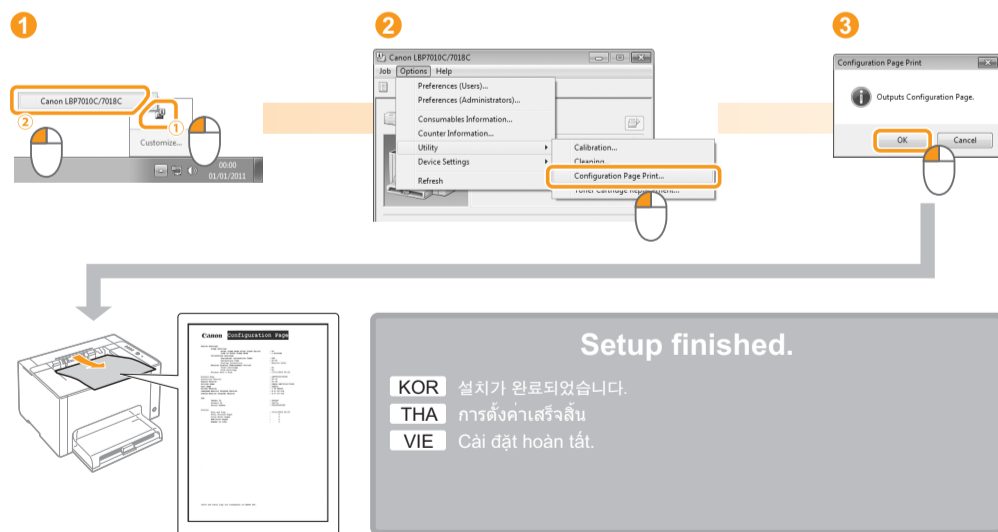
Restart your computer.

**KOR** 컴퓨터를 재기동합니다.  
**THA** เริ่มคอมพิวเตอร์ใหม่  
**VIE** Khởi động lại máy tính.



# 7 Check the operation.

**KOR** 작동을 확인합니다. **THA** ตรวจสอบการทำงาน **VIE** Kiểm tra vận hành.



# 8 Next, see the e-Manual.

**KOR** 다음으로 전자설명서를 참조해 주십시오. **THA** ขั้นตอนไป โปรดดูคู่มือแบบอิเล็กทรอนิกส์ **VIE** Tiếp theo, xem Hướng dẫn sử dụng điện tử.

