

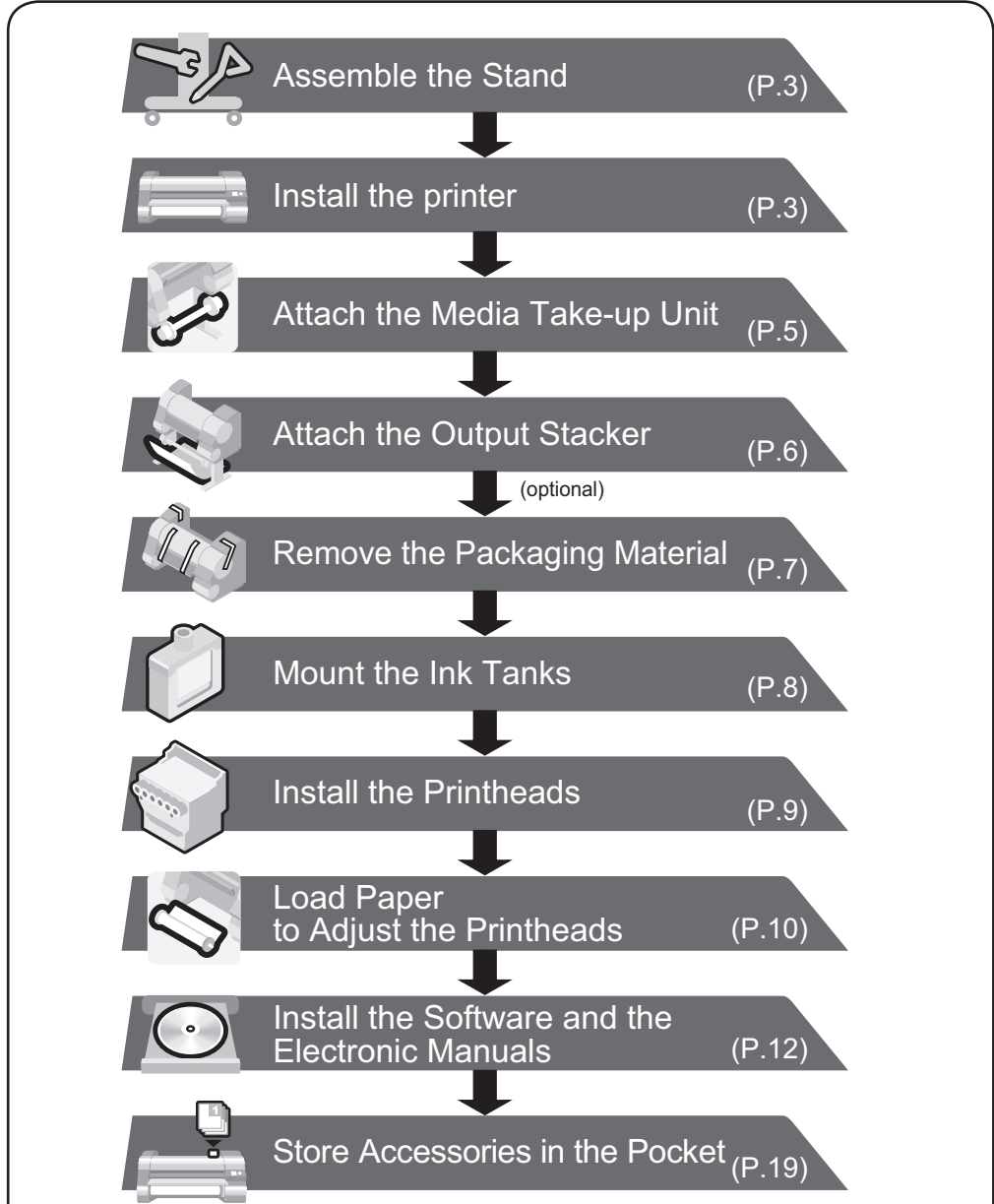
Setup Guide

Read this manual before attempting to operate the printer.
Keep this manual in a handy location for future reference.

Introduction

Overview of Setup

These are the steps in printer installation.



Important • Even if you do not use the printer driver, be sure to install **Media Configuration Tool** from the provided **User Software CD-ROM**. With **Media Configuration Tool**, the paper types that are available in your area can be registered to the printer. For instructions on installation, refer to "Install the Software and the Electronic Manuals" on page 12. (In Windows, select **Install Individual Software** in the **Setup Menu** window to install **Media Configuration Tool** only.)

MEMO • For more consistent colors, we recommend performing color calibration after setup.

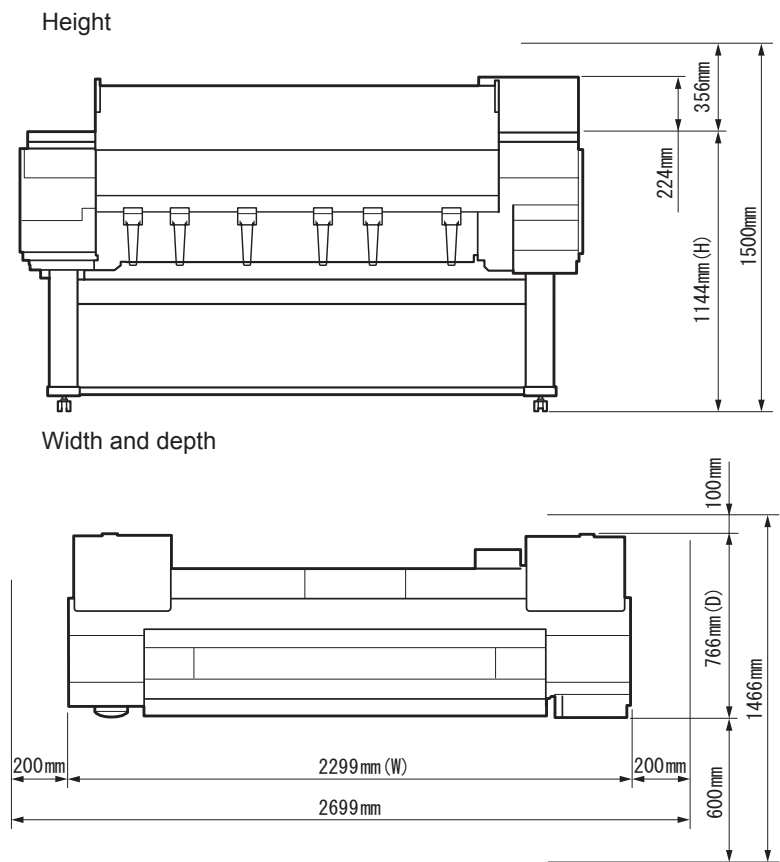
Details for each step are given in this **Setup Guide**. Simply follow the instructions to install the printer.
If an error message is displayed during setup or other problems occur, refer to "Responding to Messages."

Important • There are two ways to install the printer: tipping installation (installation by four people) and lifting installation (installation by six people).
• Tipping installation (installation by four people) uses several special parts, including the pieces attached to **Stand** casters to prevent slippage, the black belts around the printer, and packaging material. Do not remove or cut these parts. Otherwise, Tipping installation (installation by four people) is no longer possible.
• Be sure to contact Canon dealer before transferring the printer to a new location. Package the printer following the procedure of Lifting installation and do not perform Tipping installation.

Important • When relocating the printer, follow steps described in "Assemble the Stand" to "Remove the Packaging Material" in reverse order to repackage the printer. In this case, Tipping installation (installation by four people) is not available.

Space Required for Installation

An area that is larger than the dimensions shown below is needed to install the printer.



Caution • When using the output stacker in the front ejection position, provide at least 1400 mm (55 inches) of unobstructed space in front of the printer.

The Manuals Supplied with This Printer

After installing the printer as shown in this Setup Guide, refer to the manuals for instructions on operation and maintenance.

Printed Manuals

Basic Guide

The Basic Guide contains the following information:

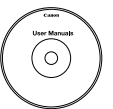
- Loading paper, Replacing the consumables, Control Panel menus, and others
- Troubleshooting tips and Error messages
- Preparations for transferring the printer



Electronic Manuals

User's Guide

This guide describes advanced usage of the printer such as paper saving tips, how to print a poster and banner with the supplied software and print quality adjusting method, in addition to the basic instructions for printing on roll paper or cut sheet.



Paper Reference Guide

This guide describes about the types and specifications of the available media on the printer.

To refer to the electronic manuals

- Windows : Double-click the **iPFxxxx Support** desktop icon. (iPFxxxx indicates the printer model.)
- Mac OS X : Click the **iPF Support** icon in the **Dock** (**Launchpad** in OS X v10.7 and later).

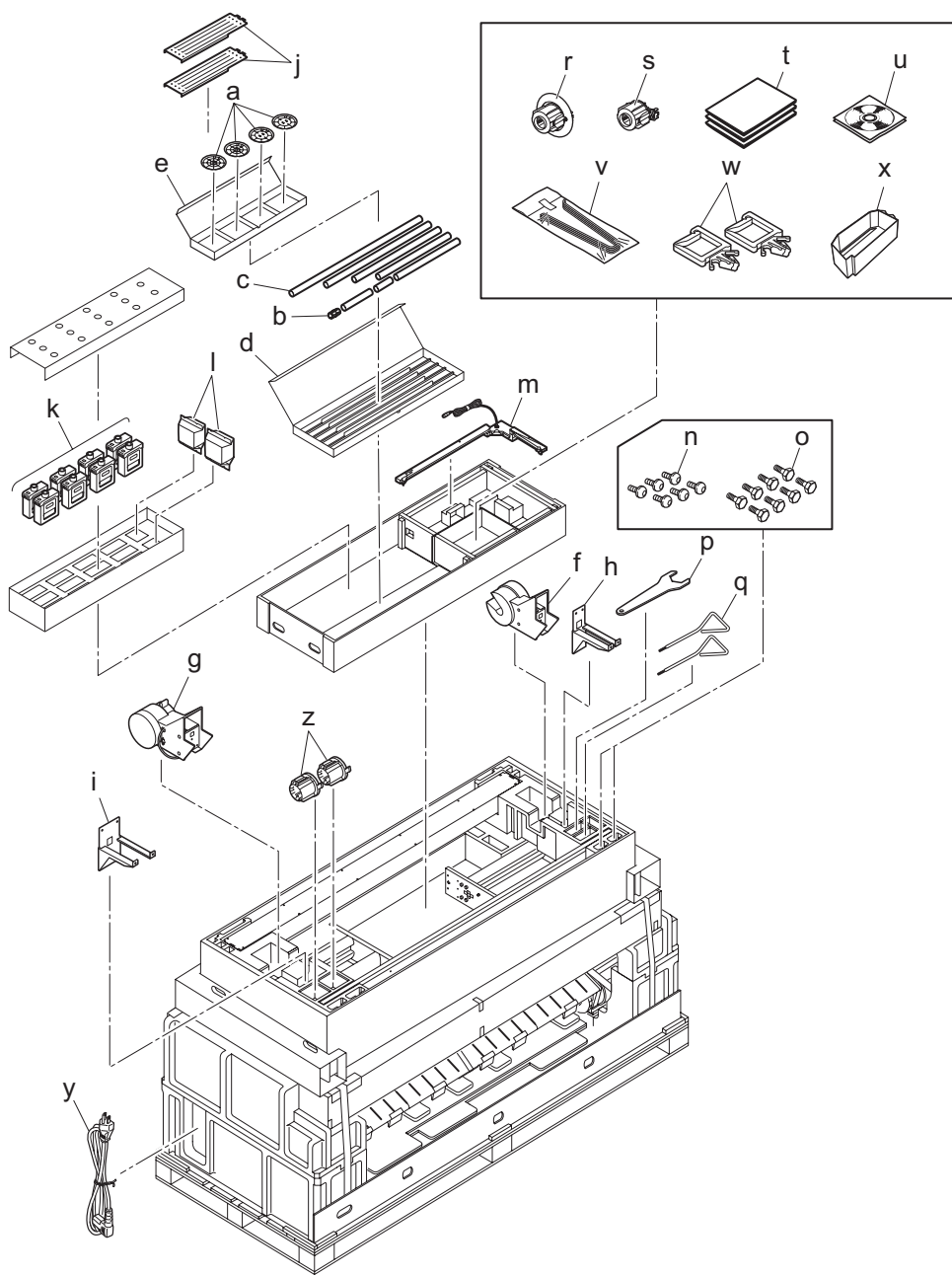


MEMO • Some items are included with the printer but not described in this manual. Keep these items in a safe place after setup because they are used in various printing applications.
• For instructions on the included items not described in this manual, refer to the User's Guide.
• A cable to connect the printer to a computer is not provided with the printer.

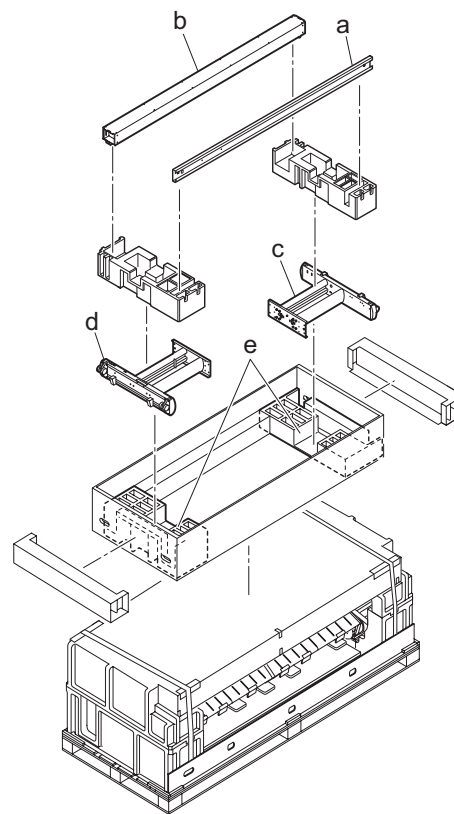
• Canon, the Canon logo, and imagePROGRAF are trademarks or registered trademarks of CANON INC.
• Microsoft and Windows are trademarks of Microsoft Corporation, registered in the U.S. and other countries.
• Macintosh is a trademark of Apple Inc., registered in the U.S. and other countries.
• All other trademarks or registered trademarks described in this Setup Guide are the property of their respective owners.



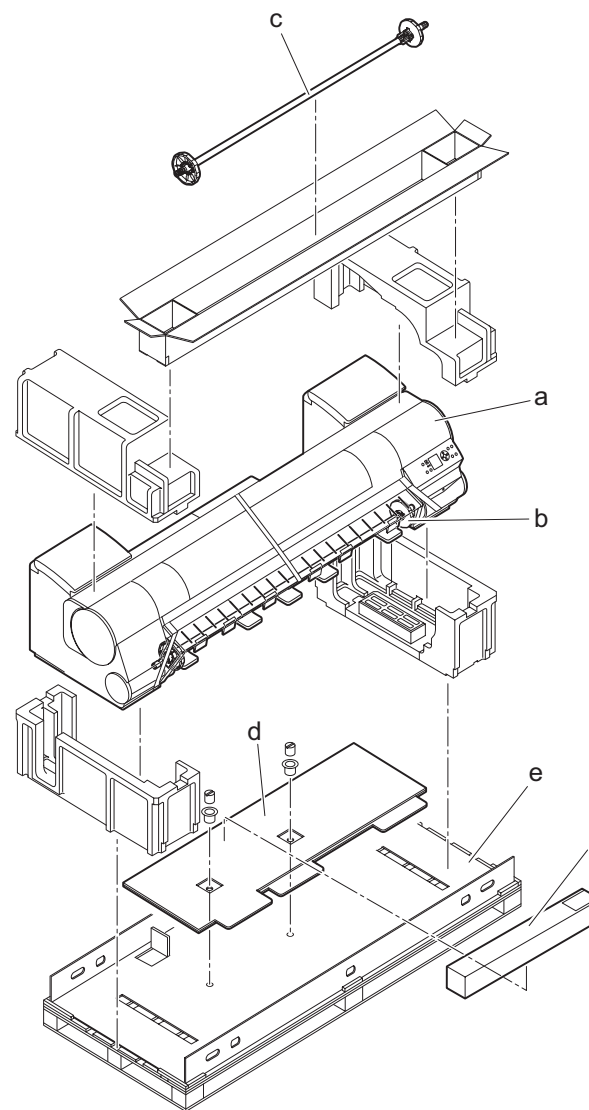
Package Contents



- a. Weight Flange 1 (2), Weight Flange 2 (2)
- b. Weight Joint
- c. Weight Roll (7)
- d. Weight Roll Storage Box
- e. Weight Flange Storage Box
- f. Left Media Take-up Unit
- g. Right Media Take-up Unit
- h. Left Fastener for Media Take-up Unit
- i. Right Fastener for Media Take-up Unit
- j. Leg Cover (2)
- k. Starter Ink Tanks
 - BK, MBK, C, M, Y, PM, PC, GY
- l. Printhead (2)
- m. Media Take-up Sensor
- n. M4 Hex Screws (35)
- o. M8 Hex Bolts (8)
- p. Wrench
- q. Allen Wrench (2)
- r. 3-inch paper core attachment #2
- s. 3-inch paper core attachment #1
- t. Documentation
- u. Set of CD-ROMs
- v. Ejection Support (6)
- w. Cord Holder (2)
- x. Accessory Pocket
- y. Power Cord
- z. Rewind 3-inch Adapter (2)



- a. Bottom Stand Stay
- b. Top Stand Stay
- c. Left Stand Leg
- d. Right Stand Leg
- e. Packaging Material for Printer Installation (2)

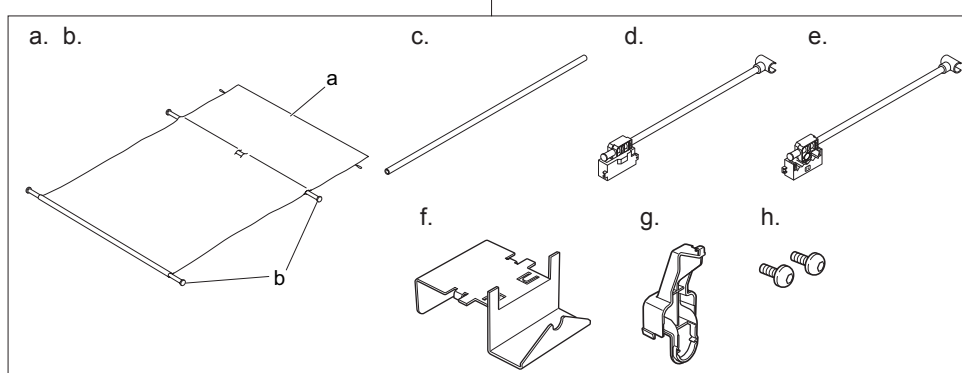


- a. Printer
- b. Roll Holder
- c. Rewind Spool
- d. Cardboard Stand Holder
- e. Bottom Sheet
- f. Adjustment paper

Important • The black belts are used on Tipping installation for the printer. Do not remove or cut the belts. Otherwise, Tipping installation is no longer possible.

Other documentation may also be included in the package.

Basket BU-01 (optional)



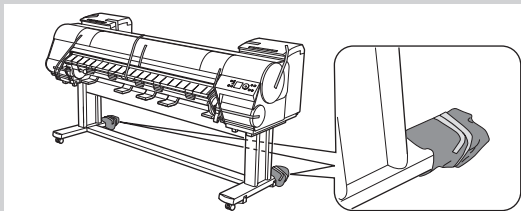
- a. Basket Cloth
- b. Basket Rod (2)
- c. Middle Basket Rod
- d. Basket Arm L
- e. Basket Arm R
- f. Rod Holder Adapter (2)
- g. Rod Holder (2)
- h. M4 Hex Screws (2)

Assemble the Stand



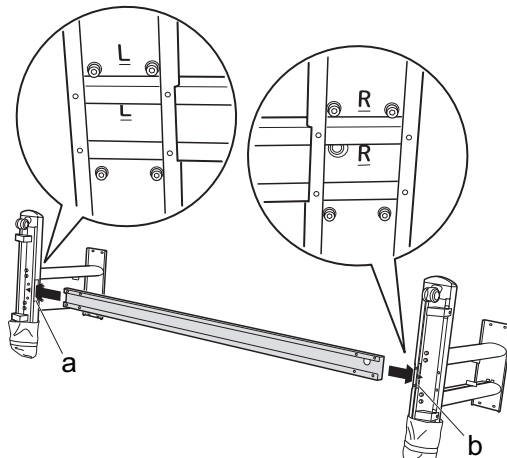
Caution

- **Stand** assembly requires two or more people working on a flat floor. Assembling the **Stand** alone may cause injury or accidental bending of the **Stand**.
- **Stand** casters are locked at the time of factory shipment. Do not release the lock until the **Stand** has been fully assembled. In addition, release the lock before moving the **Stand**. Moving the **Stand** while the casters are locked may scratch the floor or cause injury.
- Do not remove the pieces attached to the casters to prevent slippage before the printer is mounted on the **Stand**. Removing the pieces may cause the **Stand** to slip, which may damage the printer or bend the **Stand**. If the stand slips, the floor may be scratched or injury may be caused.



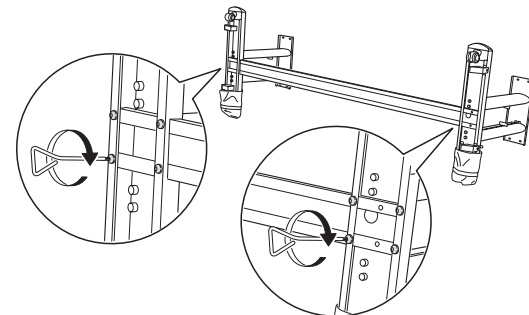
1

Position the **Left Stand Leg** and **Right Stand Leg** so that the markings on the bottom are right-side up and can be read. Insert the left side of the **Bottom Stand Stay** into the side slot (a) of the **Left Stand Leg**, and insert the right side of the **Bottom Stand Stay** into the side slot (b) of the **Right Stand Leg**.



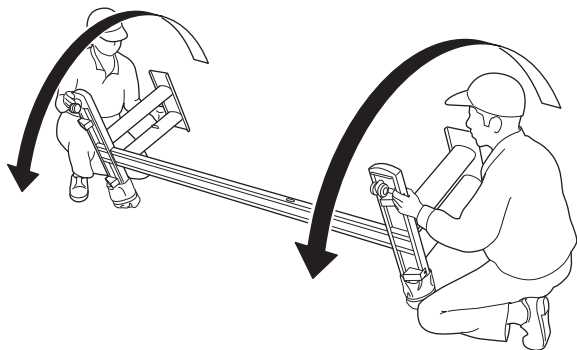
2

Secure the **Bottom Stand Stay** to the **Left Stand Leg** and **Right Stand Leg** using four M4 hex screws on each side by the **Allen Wrench**.



3

Hold one end of the **Stand** while a partner holds the other end. At the same time, rotate both ends to stand the **Stand** upright.

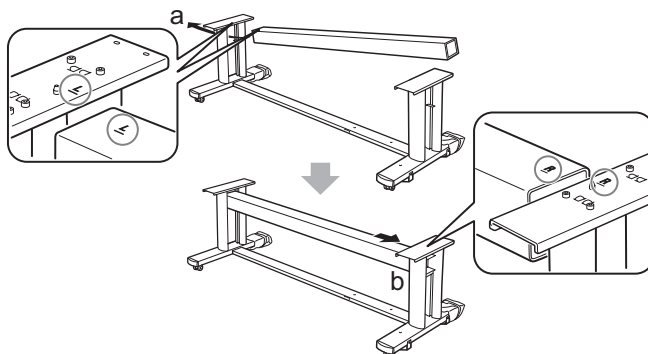


Important

- Rotate both ends of the **Stand** simultaneously when standing the **Stand** upright. Rotating only one side before the other may bend the **Stand** and cause problems in assembly.

4

Insert the left end of the **Top Stand Stay** into the side hole (a) on the **Left Stand Leg**, and insert the right end of the **Top Stand Stay** into the side hole (b) on the **Right Stand Leg**, pushing the stay in completely.

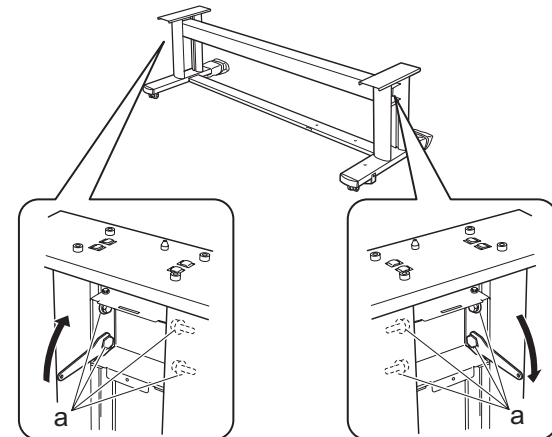


MEMO

- Insert the left end of the **Top Stand Stay** first. The right end can only be pushed in to a restricted position.

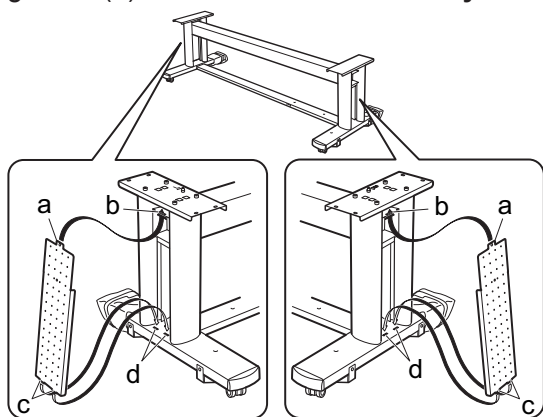
5

Secure the **Top Stand Stay** to the **Left Stand Leg** and **Right Stand Leg** using the four M8 hex bolts on each side by the **Wrench**.



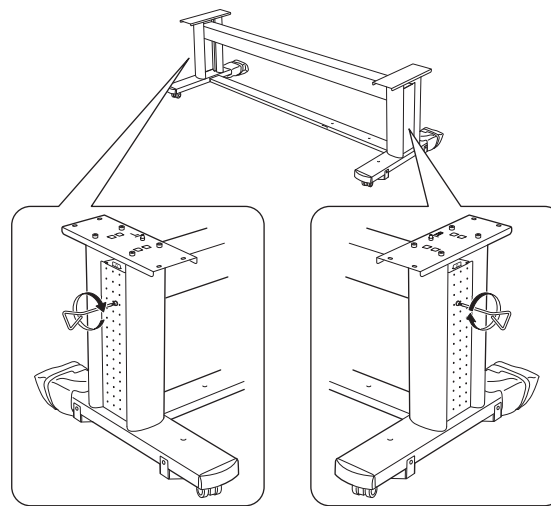
6

Attach the **Leg Cover** to the **Left Stand Leg** and **Right Stand Leg**. Insert the protrusion (a) of the **Leg Cover** into the groove (b) of the **Top Stand Stay**. Insert the protrusion (c) of the **Leg Cover** into the groove (d) of the **Bottom Stand Stay**.



7

Secure the **Leg Cover** to the **Left Stand Leg** and **Right Stand Leg** using one M4 hex screw on each side.



Caution

- On Tipping installation, do not remove the pieces attached to the **Stand** casters to prevent slippage yet.

Install the printer

There are two ways to install the printer. Follow either procedure, depending on the number of people for installing the printer.

- **Tipping Installation:** Requires four people. Follow the procedure starting at step 1 on page 3.
- **Lifting Installation:** Requires six people. Follow the procedure starting at step 12 on page 4.



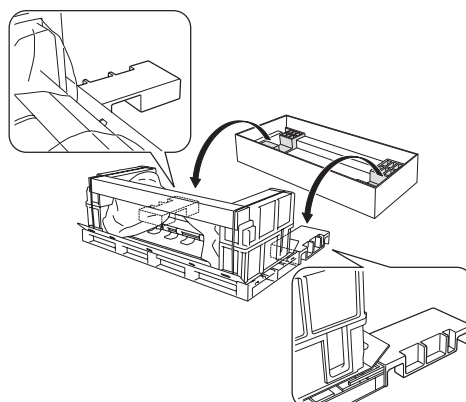
Important

- Tipping installation uses several special parts, including the pieces attached to **Stand** casters to prevent slippage, the black belts around the printer, and packaging material. Do not remove or cut these parts. Otherwise, Tipping installation is no longer possible.

Tipping installation: In the case of installation by four people

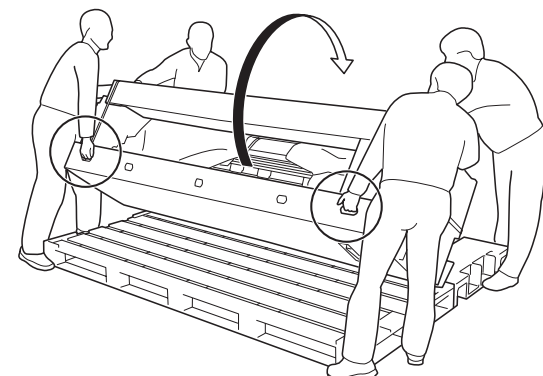
1

Remove the packaging material for use in printer installation from the **Stand** box and put the material against the pallet on both ends, behind the printer.



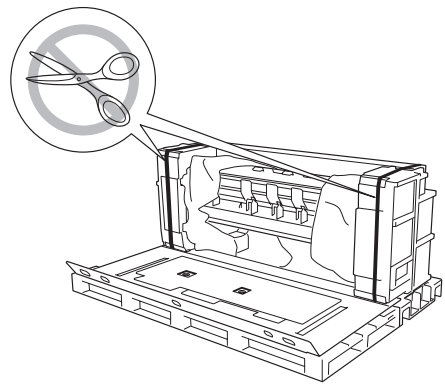
2

Insert the hands in the holes on both ends of the front surface of the bottom cardboard sheet. While supporting the printer, tip the printer backward 90 degrees to rest the printer on the packaging material used in printer installation.

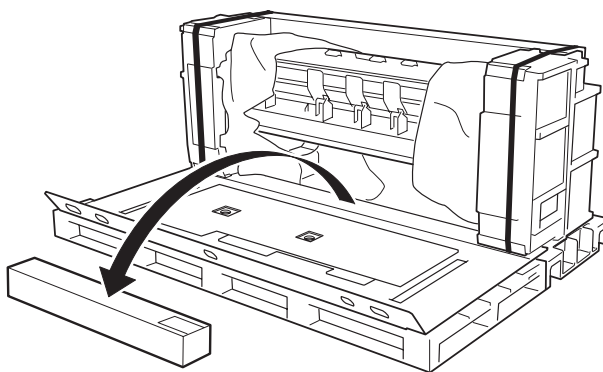




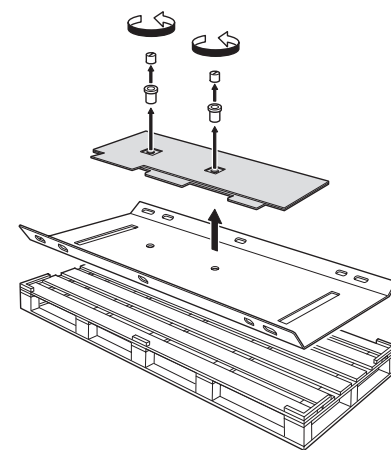
• Do not cut the black belts around the printer until step 11. When the black belts are cut, Tipping installation is no longer possible.

**3**

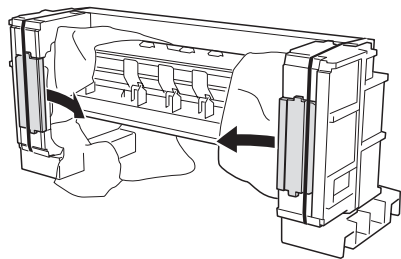
Remove the Sample Paper.

**4**

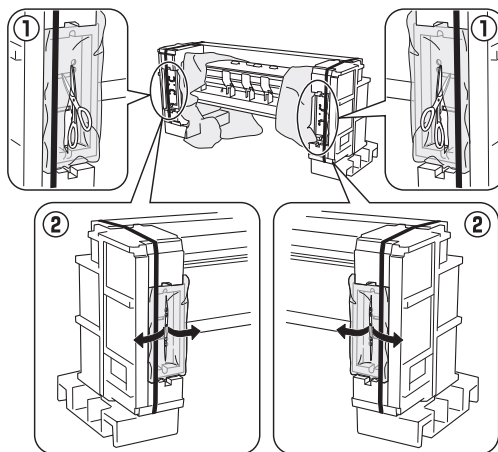
Turn the joints to pull out of the bottom cardboard sheet on top of the pallet, and then remove the cardboard stand holder.

**5**

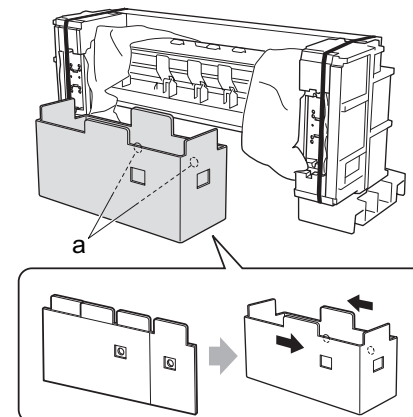
Remove the packaging material covering the sections of the printer where the **Stand** will be attached.

**6**

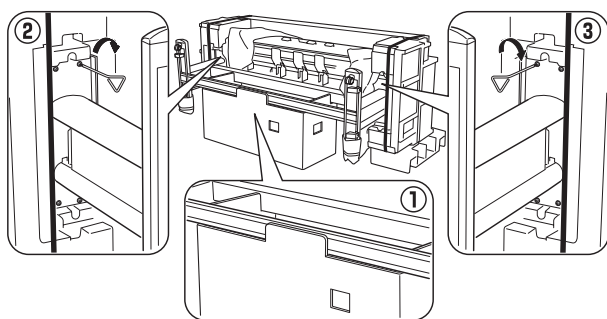
Use scissors to cut openings in the plastic covering as shown. Pull the covering apart with both hands to expose the sections of the printer where the **Stand** will be attached.

**7**

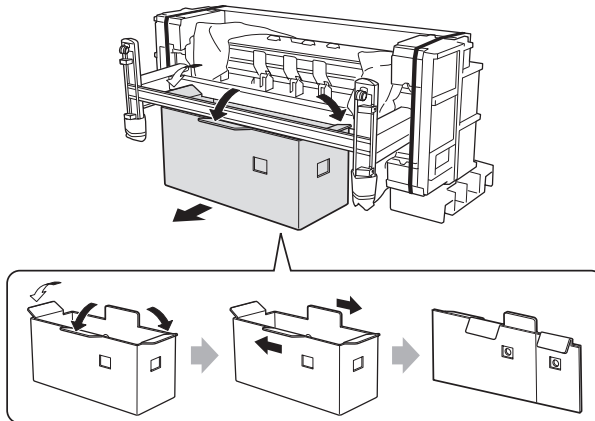
Remove the bottom cardboard sheet and the pallet. Assemble the cardboard stand holder as shown and put the holder to the bottom side of the printer. Let the side with round holes (a) face the printer.

**8**

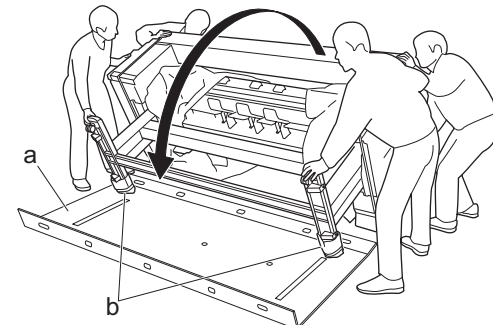
Rest the **Stand** on its side on the cardboard stand holder. Adjusting the positions for attachment to the printer, use an **Allen Wrench** to tighten four M4 screws on both sides, attaching the stand securely to the printer.

**9**

Bend the front flap of the cardboard stand holder forward as shown. Collapse the holder and remove the holder from under the stand.

**10**

Place the bottom sheet (a) under the printer. Have four people hold the printer and **Stand** on both ends, two people on each end. As you support the printer, tip it forward, pivoting it on the pieces of the **Stand** to prevent it from slipping (b).



• Be careful to prevent the **Stand** from slipping.
• To avoid scratching the floor, be sure to place the bottom sheet on the floor.

11

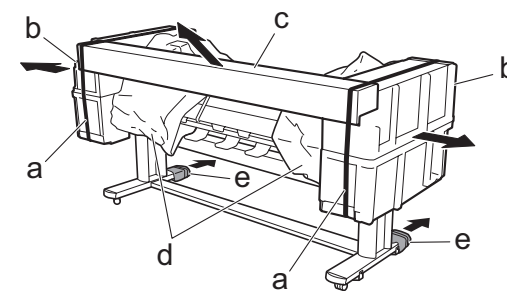
Remove the black belts (a) from the printer. Remove the packaging material (b), the box (c) with the **Rewind Spool** inside, the plastic covering (d), and the pieces (e) attached to casters to prevent slippage.



• When cutting the black belts, be careful not to let the belts fly away from the printer.



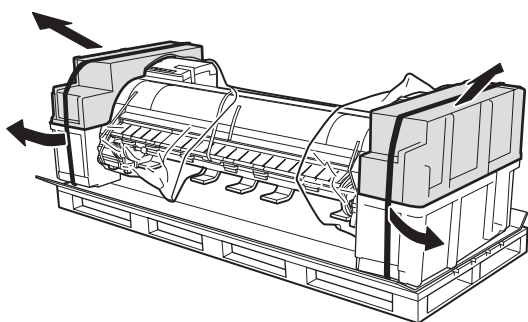
• Remove the tape on the pieces to prevent slippage by pulling the tape across the pieces from above when peeling off.



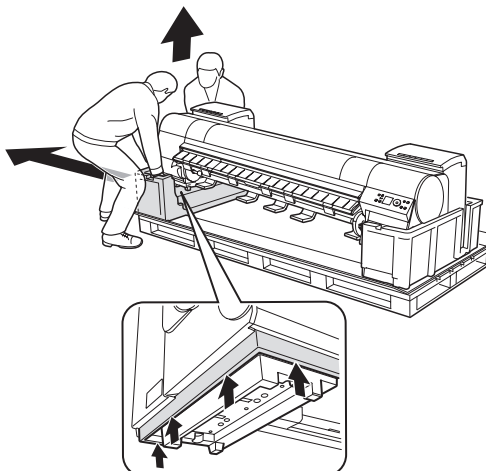
Lifting installation: In the case of installation by six people

12

Remove the black belts from around the printer and remove the top packaging material.

**13**

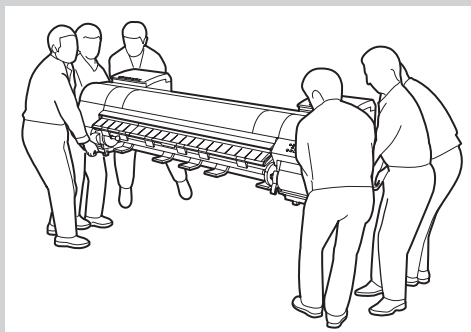
While two people hold the carrying handles under the printer on one end and lift the printer a little, have a third person remove the packaging material and the plastic covering from under the printer. After the packaging material has been removed, lower the printer.

**14**

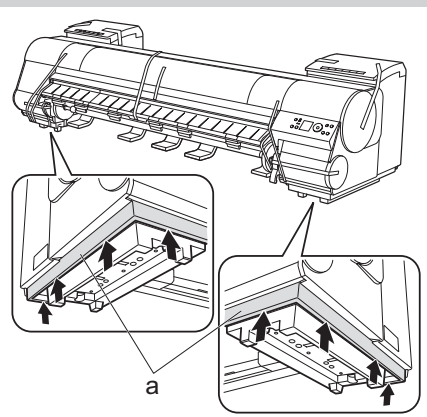
Remove the packaging material and the plastic covering from the other side of the printer the same way.

15 With three people holding the carrying handles under the printer on both ends, lift the printer.

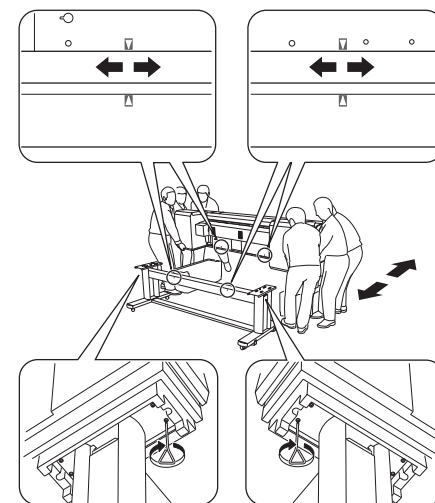
Caution • The weight of the main unit alone is approximately 164 kg (361.6 lb). Moving the printer requires at least six people, three on either side. Be careful to avoid back strain and other injuries.



• When moving the printer, firmly grasp the carrying handles (a) under each side. Holding the printer at other positions is dangerous and cause injury and damage if the printer is dropped.

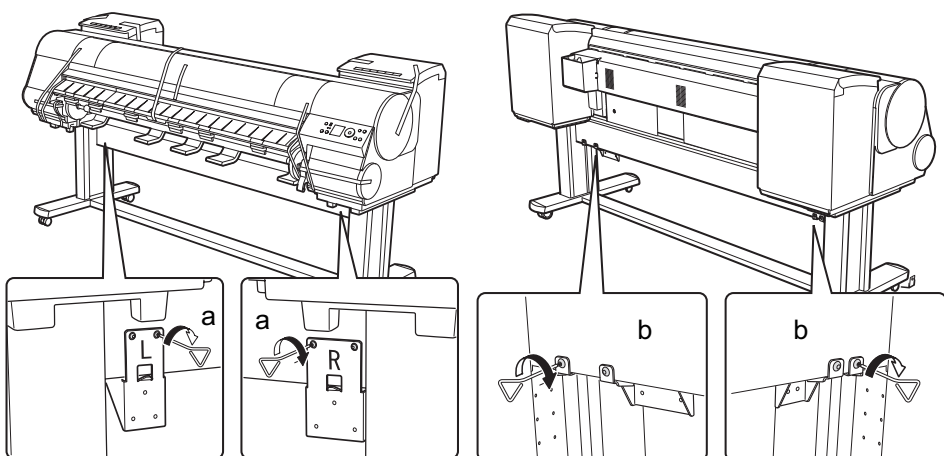


16 Align the triangles on the back of the printer and **Stand** when setting the printer on the **Stand**. Secure the printer and **Stand** firmly together using four M4 hex screws on each side by the **Allen Wrench**.

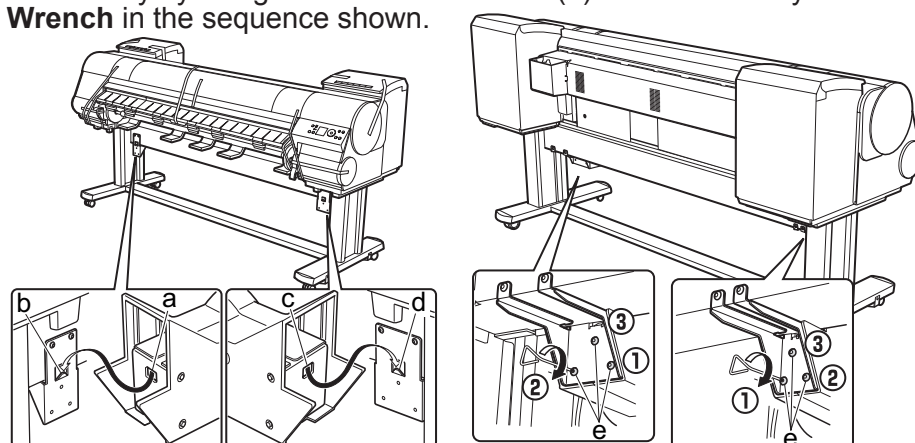


Attach the Media Take-up Unit

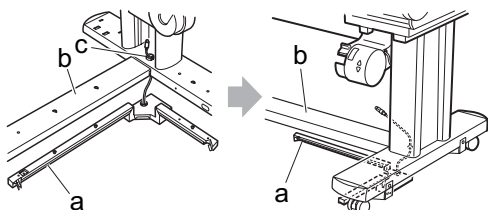
1 Firmly secure the **Left Fastener for Media Take-up Unit** and **Right Fastener for Media Take-up Unit** to the front (a) and back (b) of the **Top Stand Stay** using four M4 hex screws on each side by the **Allen Wrench**.



2 Hook up the hole (a) of the **Left Media Take-up Unit** with the protrusion (b) of the **Left Fastener for Media Take-up Unit**, and hook up the hole (c) of the **Right Media Take-up Unit** with the protrusion (d) of the **Right Fastener for Media Take-up Unit**. Secure the Media Take-up Units firmly by using three M4 hex screws (e) on each side by the **Allen Wrench** in the sequence shown.

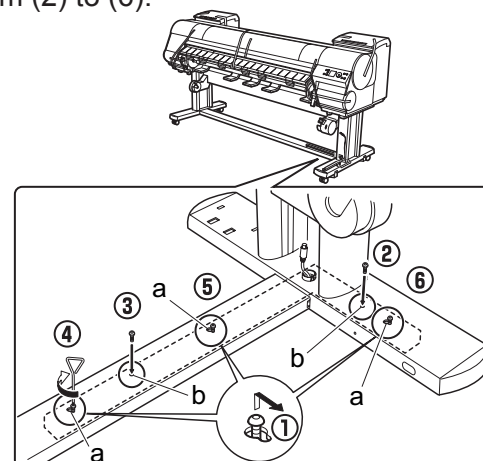


3 Pull up the cord of the **Media Take-up Sensor** (a) through the hole (c) of the **Right Stand Leg**. Put the **Media Take-up Sensor** under the **Bottom Stand Stay** (b) on the right.

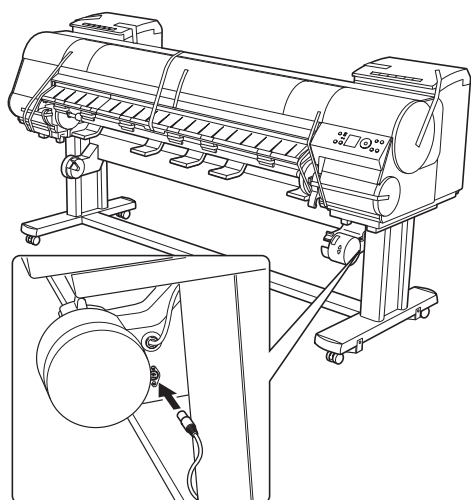


MEMO • The **Media Take-up Sensor** remains concealed in the **Bottom Stand Stay**.

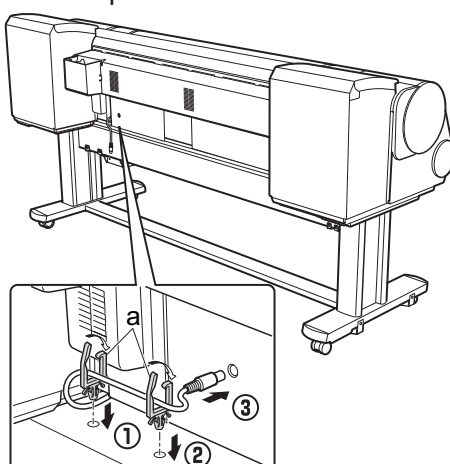
4 With the **Media Take-up Sensor** against the underside of the **Bottom Stand Stay** and the **Right Stand Leg**, insert M4 hex screws in the three holes (a) and slide the screws out of the way toward the narrow end of the protruding holes. Insert M4 hex screws in the small holes (b) as well. Use the **Allen wrench** to tighten all five M4 hex screws firmly in the order shown, from (2) to (6).



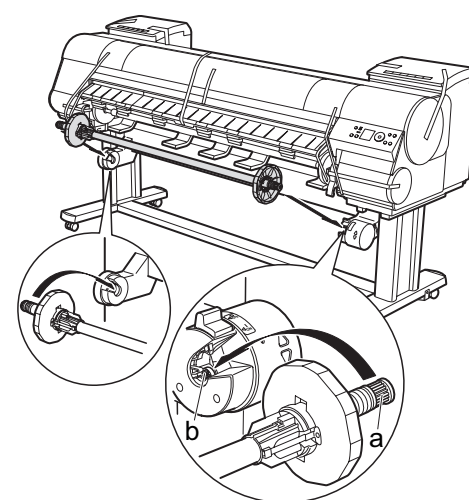
5 Plug the **Media Take-up Sensor** cord firmly and fully into the **Right Media Take-up Unit** to connect it.



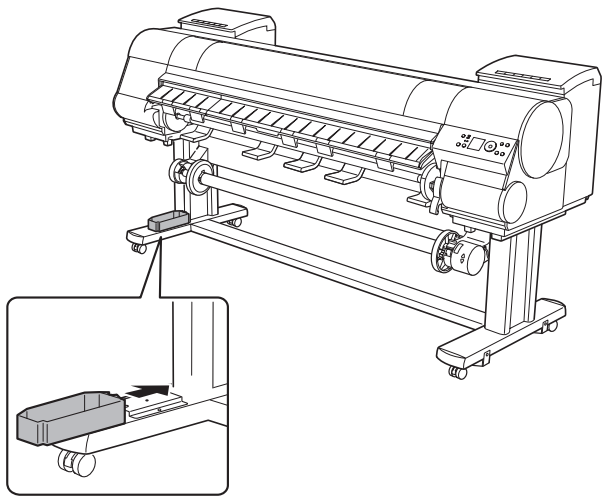
6 Attach the cord holders (a) to the holes of the **Top Stand Stay**. Bring the power cord of the **Right Media Take-up Unit** to the back of the printer and pass the cord through the cord holders. After passing the cord behind the holders, plug the cord into the **Power Supply Connector** on the back of the printer.



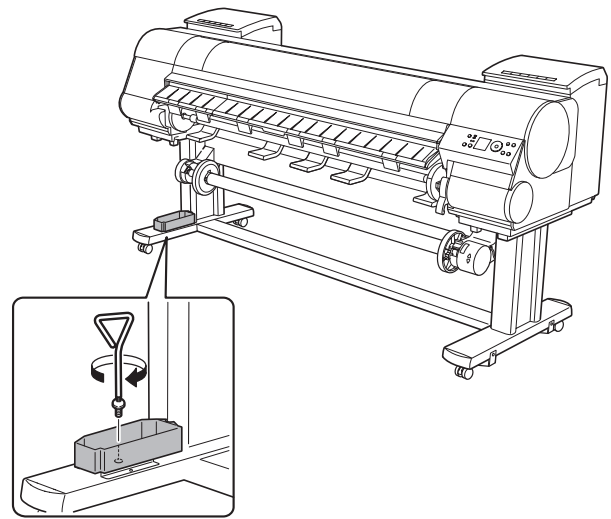
7 Load the left side of the **Rewind Spool** on the **Media Take-up Unit** so that the gear (a) on the right side of the **Rewind Spool** meshes with the gear (b) of the **Right Media Take-up Unit**.



8

Attach the **Accessory Pocket** to the **Left Stand Leg**.

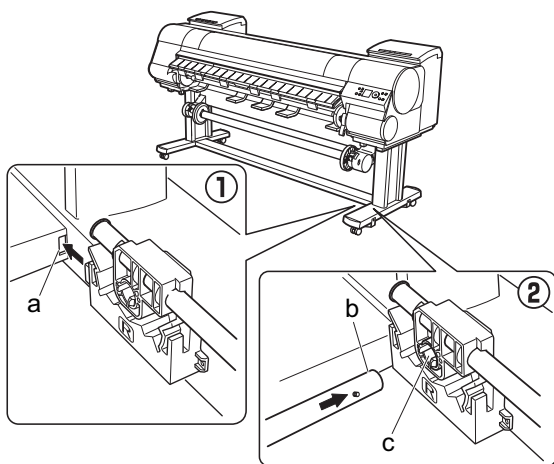
9

Use the **Allen Wrench** to securely affix the **M4 Hex Screws**.Attach the **Output Stacker**

(BU-01 option)

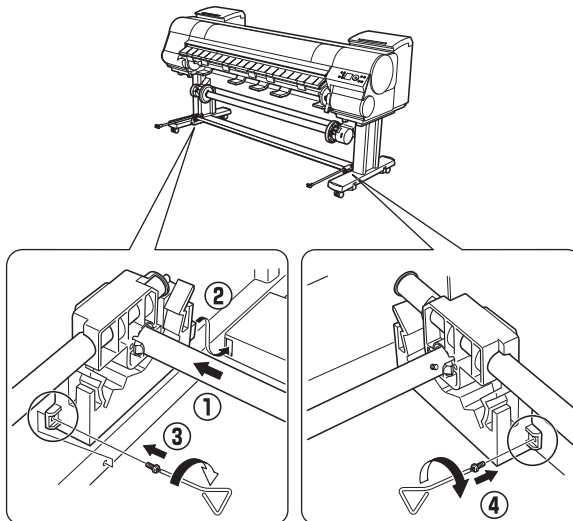
1

Insert the **Basket Arm R** in the hole (a) on the right side of the **Bottom Stand Stay**. Insert the right side (b) of the middle **Basket Rod** in the hole (c) of the **Basket Arm R**.



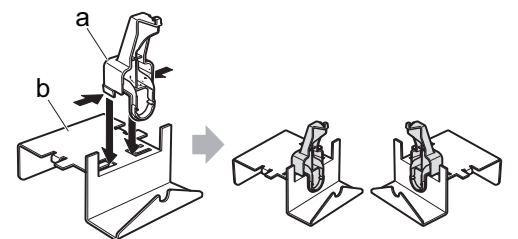
2

After inserting the **Basket Arm L** in the left side of the middle **Basket Rod**, push in the arm fully into the hole on the left side of the **Bottom Stand Stay**. Use one M4 hex screw on the left and right sides to firmly secure the **Basket Arm R** and **Basket Arm L**.



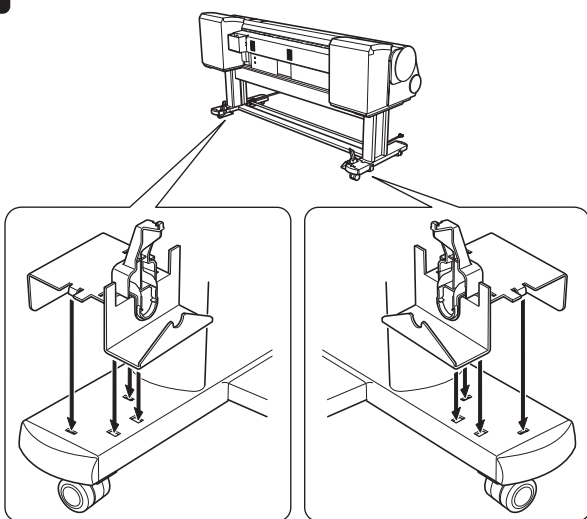
3

While squeezing the **Rod Holder** in the position indicated (a) with both hands, push the holder into the **Rod Holder Adapter** (b) until the holder clicks into place. Attach the other **Rod Holder** to the other **Rod Holder Adapter** the same way.



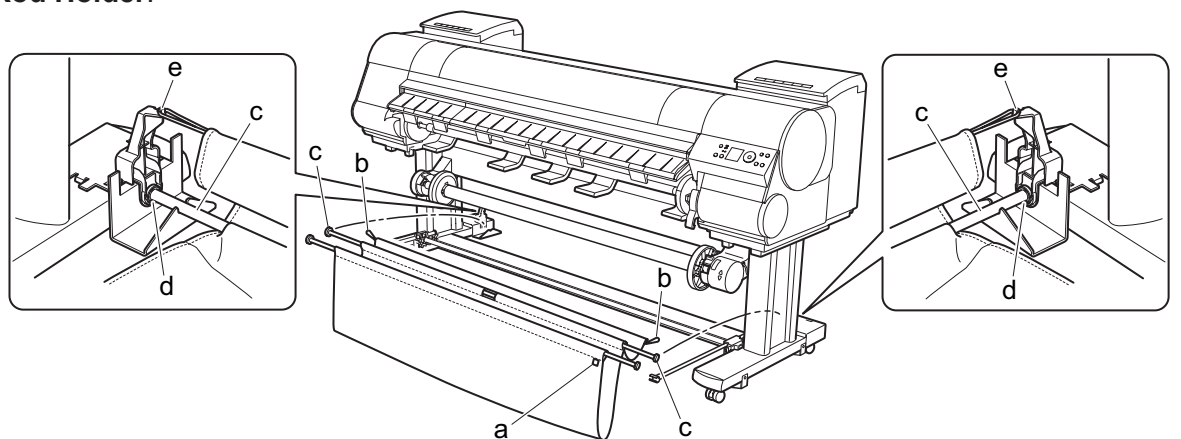
4

Insert the **Rod Holder Adapter** into each hole on the back of each **Stand Leg**.



5

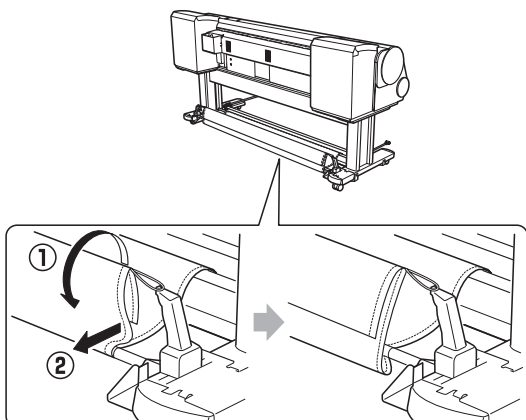
Spread out the **Output Stacker** with white tag (a) of the **Basket Cloth** at the front on the right side and the black cord (b) in the back. Insert the **Basket Rod** (c) (in the middle of the **Basket Cloth**) in the hole (d) on the bottom of the **Rod Holder**, and thread the black cord from the back through the hook (e) on the top of the **Rod Holder**.



6

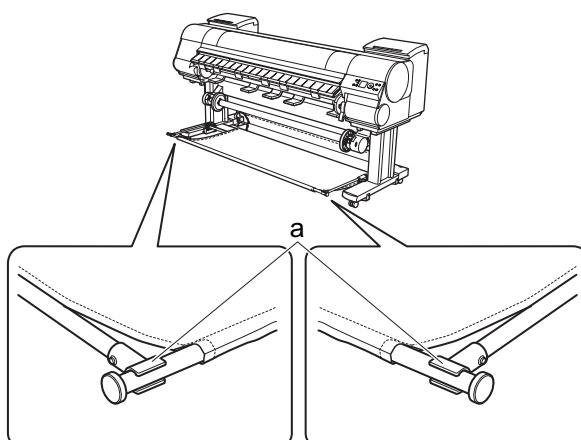
Check how the **Basket Cloth** is arranged.

- (1) Pull out the **Basket Cloth** with the edge facing out. Bringing the edge of the **Basket Cloth** inside may prevent paper ejection.
- (2) If the **Basket Cloth** is inside as shown, pull the cloth outside. Check the cloth on each side.



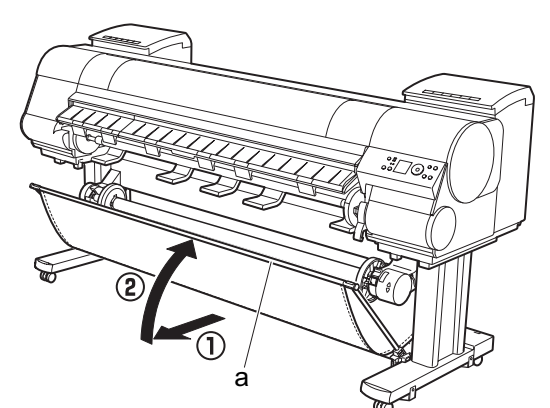
7

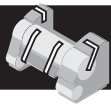
Attach the **Basket Rod** (at the front of the **Output Stacker**) to the tips (a) of the **Basket Arm L** and **Basket Arm R**.



8

Pull the **Basket Rod** (a) (at the front of the **Output Stacker**) all the way out and lift the rod to lock the rod in place.

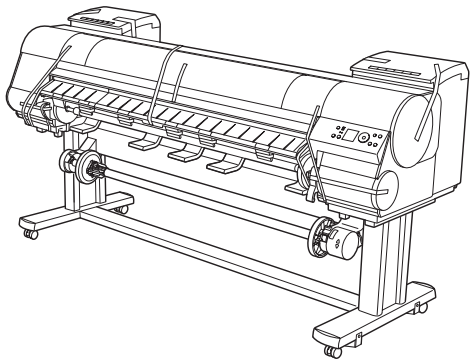




Remove the Packaging Material

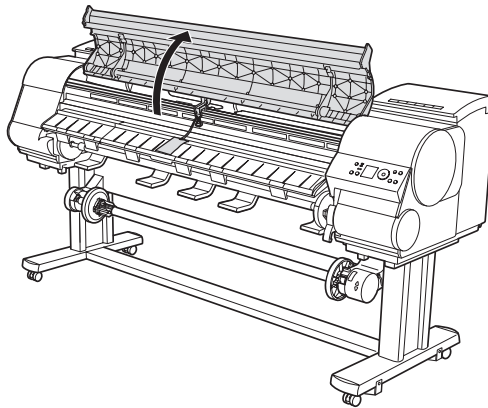
1

Remove the tape and other packaging material used to secure the printer.



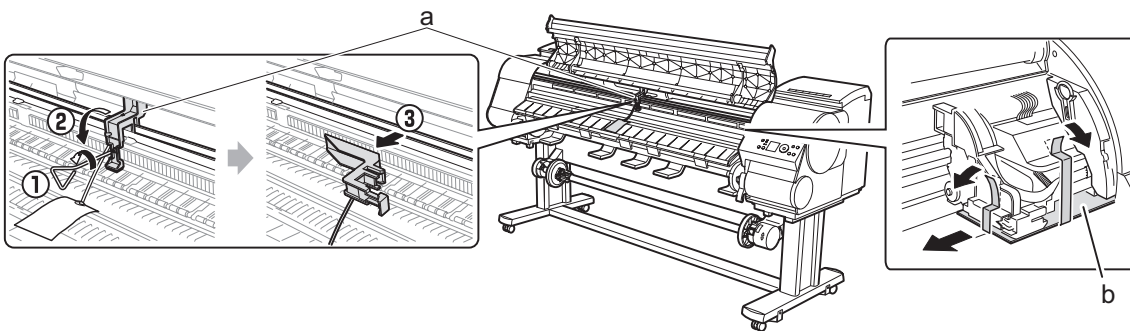
2

Open the **Top Cover**.



3

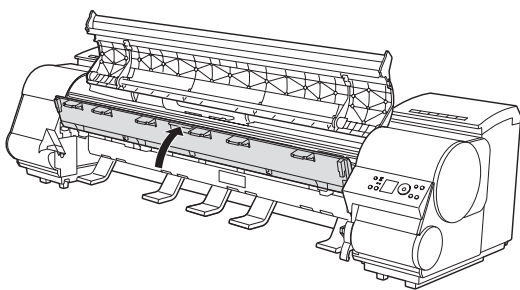
Use the **Allen Wrench** to loosen the **Belt Stopper** screw (a) and remove the screw from the **Belt Stopper**. Unscrew the **Belt Stopper** to the left and remove the stopper. Pull the carriage spacer (b) in the direction of the arrow to remove it.



- The **Belt Stopper**, screw, carriage spacer, and **Allen Wrench** are needed when moving the printer to another location later. Keep the **Belt Stopper**, screw, carriage spacer, and **Allen Wrench** which have been removed. Neglecting to attach the **Belt Stopper** and carriage spacer may cause damage to the printer when moving the printer to another location.
- After opening the **Top Cover**, **Cleaning Brush** is stored on the right. Take out the brush when cleaning inside the **Top Cover**.

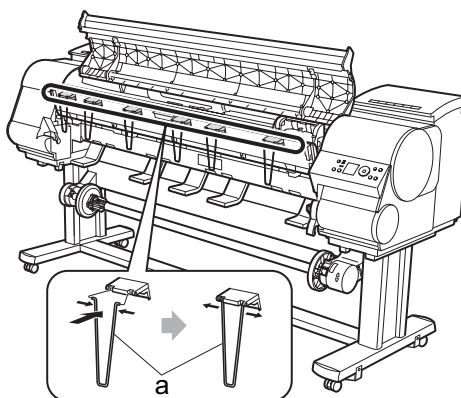
4

Lift the **Ejection Guide**.



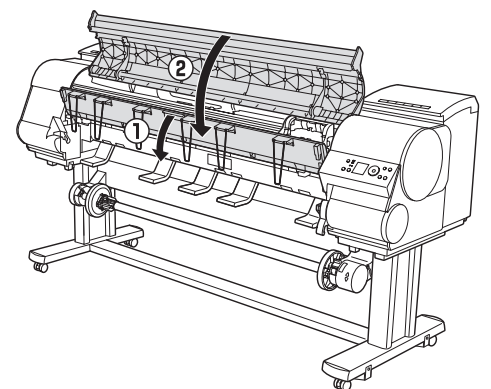
5

Attach the six **Ejection Supports** (a) on the back of the **Ejection Guide**.



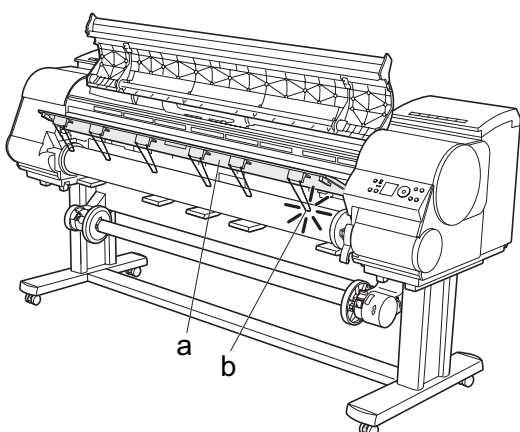
6

Close the **Ejection Guide** and **Top Cover**.



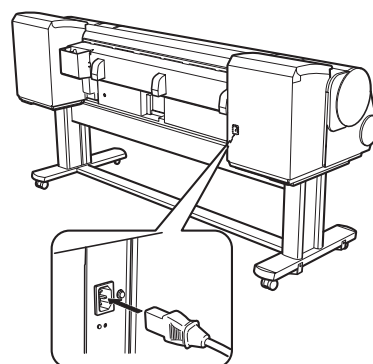
7

When lowering the **Ejection Guide** (a), lower it slowly. If you lower it vigorously, the **Ejection Supports** (b) may touch the roll paper and scratch the printing surface.



8

Plug the power cord into the **Power Supply Connector** on the back of the printer.



9

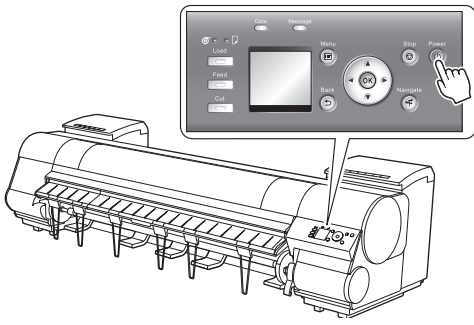
Plug the power cord into the outlet.



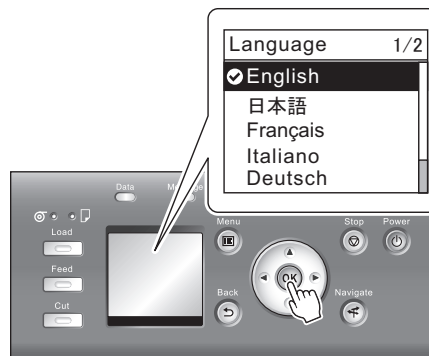
Mount the Ink Tanks

Mount the eight ink tanks.

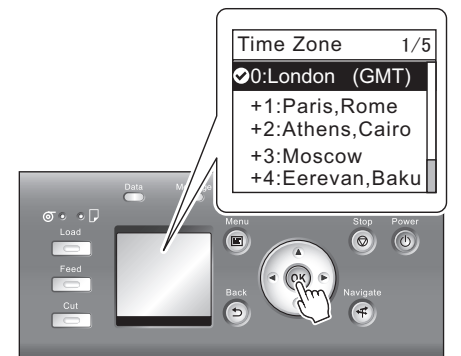
1 Press the **Power** button to turn on the printer.



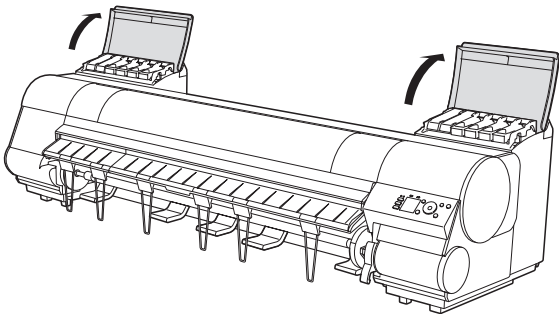
2 When the following screen appears, use the **▲** and **▼** keys to select a language and press **OK**.



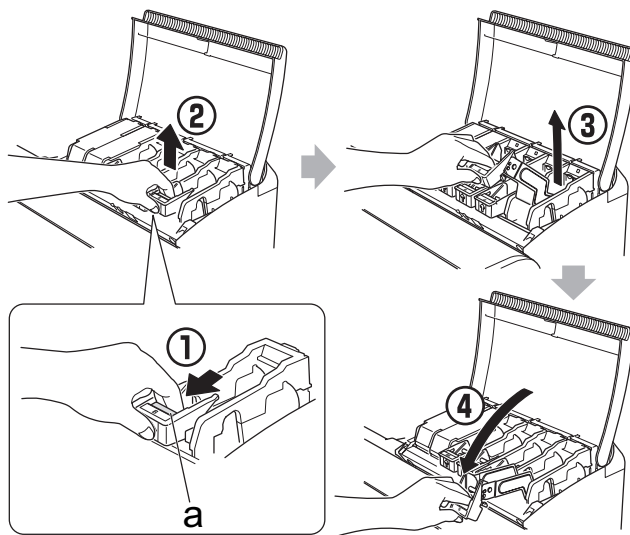
3 Select your local time zone and press **OK**.



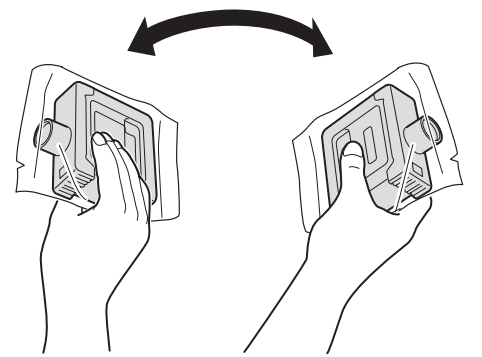
4 Instructions on ink tank installation are shown on the display screen. Open the ink tank covers as instructed.



5 Raise the stopper (a) of the ink tank lock lever for the color you are mounting. After raising the ink tank lock lever as far as possible, pull it forward.



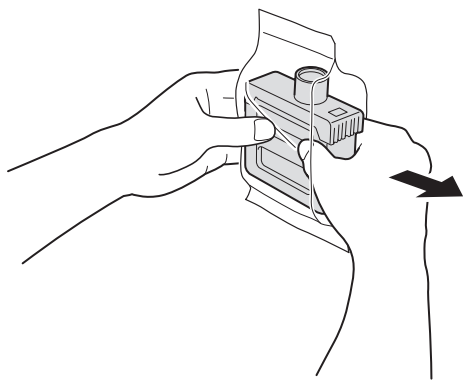
6 Shake each ink tank gently 7 to 8 times before opening its pouch.



Important • Failure to shake the ink tanks may result in reduced print quality because ink ingredients have settled on the bottom of the tank.

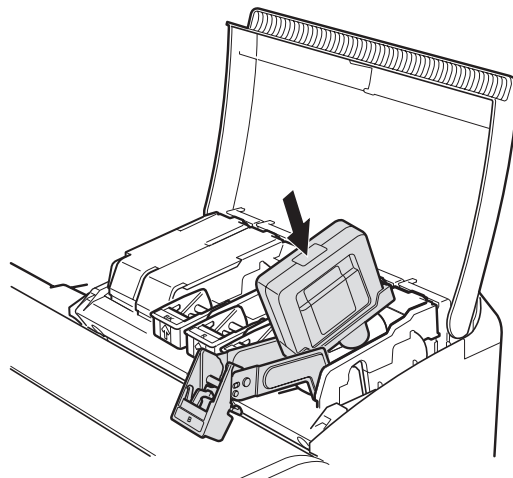
Important • Press down on the ink tank lock lever until it locks.
• Make sure the ink tank lock lever stays in the locked position.

7 Open the pouch and remove the ink tank.



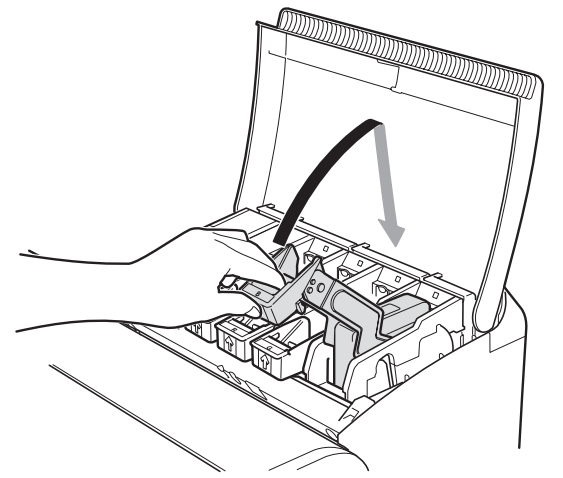
Important • Never touch the ink holes or metal contacts. Touching these parts may cause stains, damage the ink tank, and affect print quality.
• Avoid dropping the ink tank after removing it from the pouch. Otherwise, ink may leak and cause stains.
• Do not remove ink tanks to shake them after they have been mounted. Doing so may cause ink to spill.

8 Orient the ink tanks and mount them in the holders with ink holes down as shown in the figure.

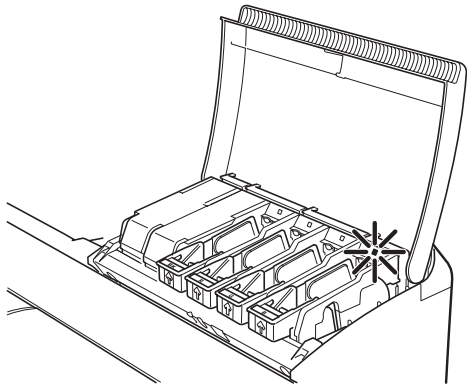


Important • An ink tank cannot be mounted in the holder if it is not oriented correctly for the color.
• Do not try to force an ink tank into the holder if it does not go in normally. Check the color indicated on the label affixed to the ink tank lock lever and the ink tank orientation, and then try mounting the tank into the holder again.

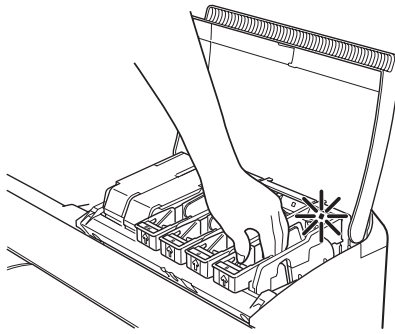
9 After raising the ink tank lock lever as far as possible, press it back down until it clicks into place.



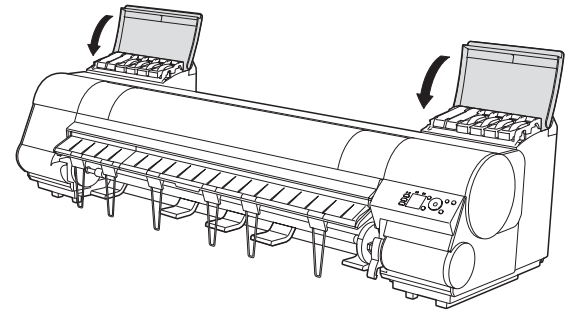
10 Make sure the ink lamp lights red.



11 Check that the ink lamp is alight, and then push the ink tank more strongly until it touches the base.



12 Repeat steps 5 to 11 to mount each of the ink tanks. Close the ink tank covers.



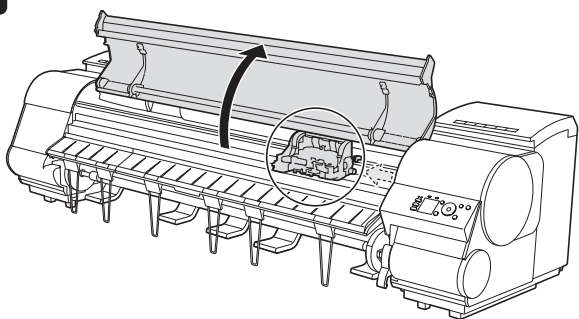
• If the ink lamp does not light, repeat steps 5, 8, and 9.



Install the Printheads

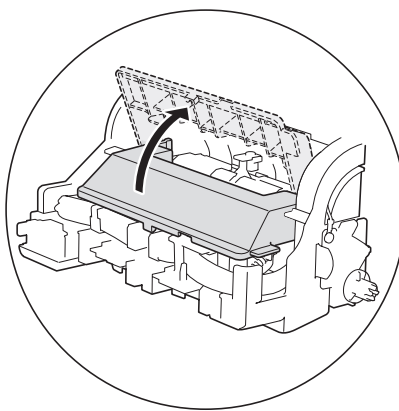
Install both printheads.

1 When the display screen shows **Open Upper Cover**, open the top cover.



Instructions on printhead installation are shown on the display screen.

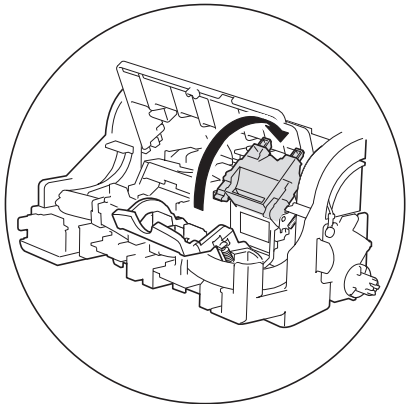
2 Lift the carriage cover to open it fully.



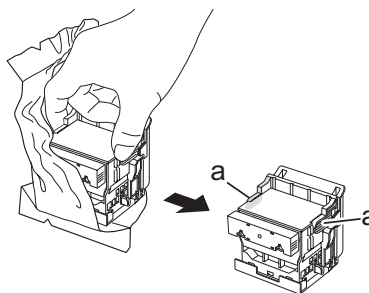
3 Pull the printhead fixer lever forward all the way to open it completely.



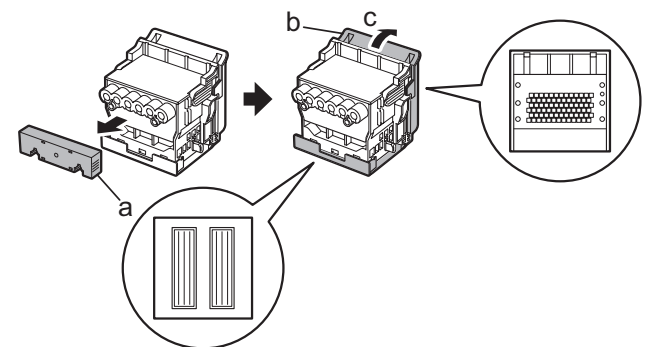
4 Lift the printhead fixer cover to open it fully.



5 Hold the printhead by the grips (a) as you remove it from the pouch.

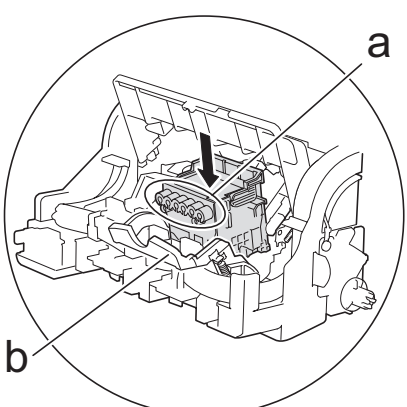


6 Remove the orange protective part (a). Remove the other orange protective part (b) while holding the grip (c).

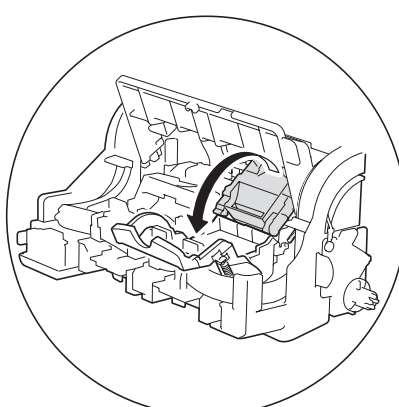


• Never touch the parts covered by the protective parts. Doing so may damage the printhead and affect printing quality.
• The printhead contains ink, so be careful not to spill it once the protective parts are removed.
• Do not reattach the protective parts after removing them. Dispose of these materials according to local regulations.

7 Insert the printhead into the carriage (b) with the ink holes (a) up and facing the front of the printer as shown in the figure. Carefully push the printhead firmly into the carriage (b), ensuring that the parts that were covered by the protective parts do not touch the carriage (b).



8 Pull the printhead fixer cover down toward the front to lock the printhead in place.

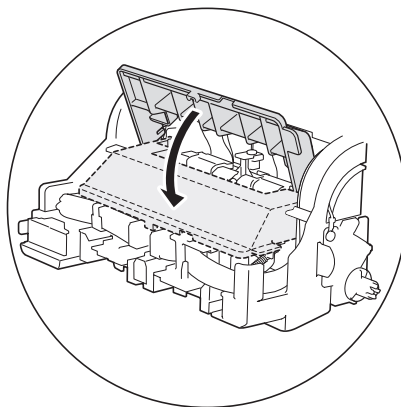


9 Push the printhead fixer lever all the way back.

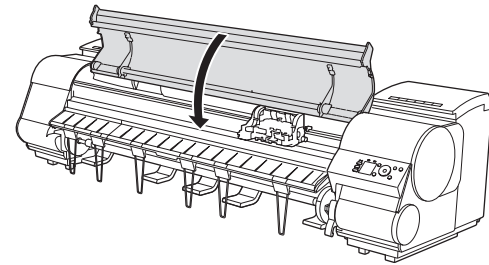


10 Repeat steps 3 to 9 to install the second printhead set.

11 Pull the carriage cover forward.



12 Close the top cover.



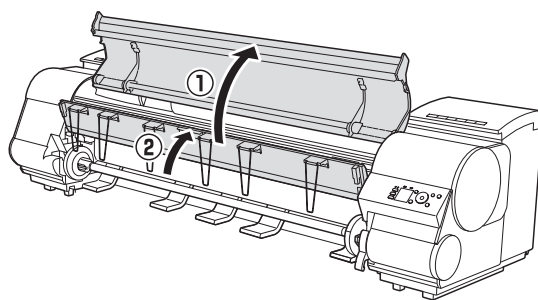
Load Paper to Adjust the Printheads

Load the provided sample paper and adjust the Printheads.

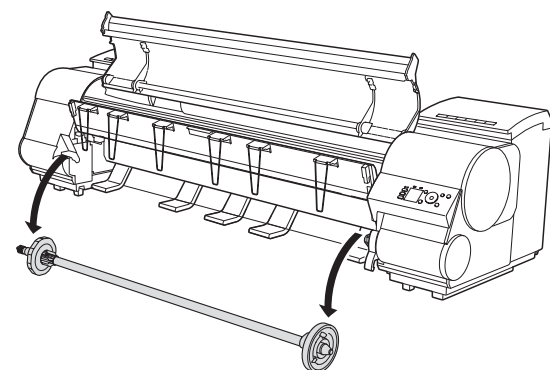
1 Select type of paper for printhead adj. is shown on the display screen. Use the ▲ and ▼ keys to select **Roll Paper** and then press **OK**.



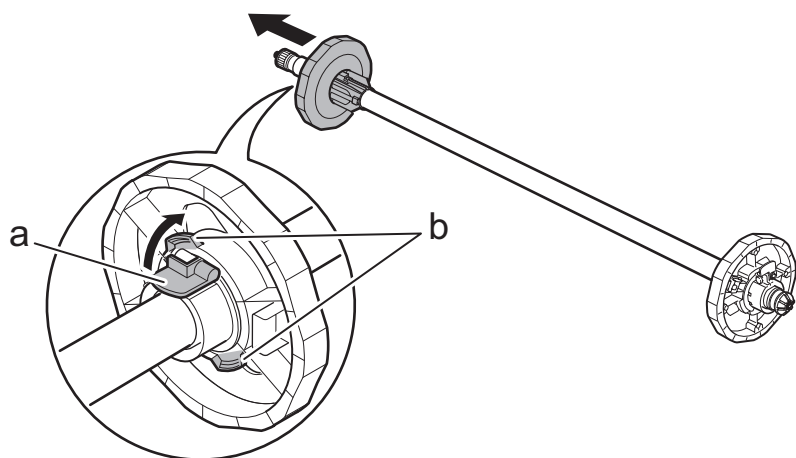
2 Open the top cover and raise the ejection guide.



3 Remove the roll holder from the printer.

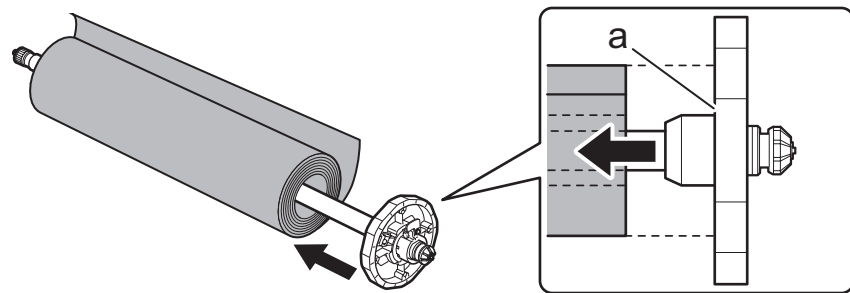


4 Raise the holder stopper lever (a) from the shaft side to unlock the stopper. While holding the holder stopper in the position in the figure indicated by (b), remove the holder stopper from the roll holder.



Important • We recommend wearing clean cotton gloves when handling rolls of paper to protect the printable surface.

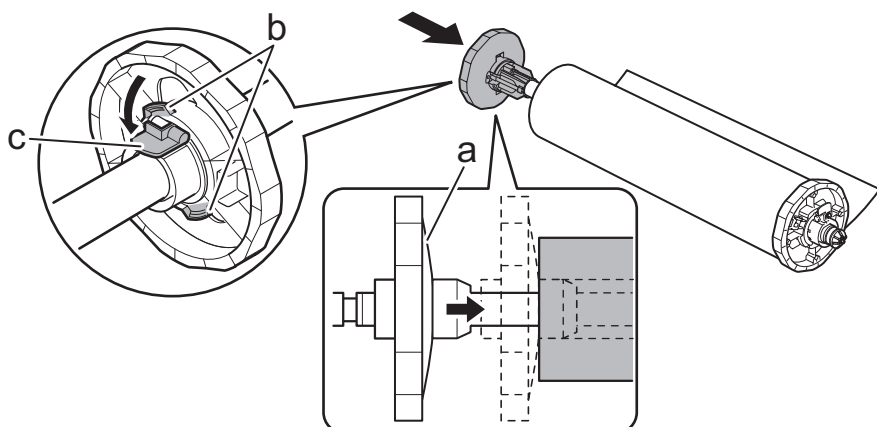
5 With the leading edge of the roll of paper towards the front as shown in the figure, insert the roll holder from the right side of the roll of paper. Insert the roll holder all the way until the paper is touching the flange (a) of the roll holder.



Important

- Insert the roll holder as far as it will go so there is no gap between the paper and the roll holder flange. A gap can cause the paper to feed irregularly.
- Do not place a roll of paper on a desk or other flat surface where it may roll off. A falling paper roll creates the risk of personal injury.
- Do not allow the roll holder to be subjected to strong impact when loading a roll of paper. Strong impact can damage the roll holder.

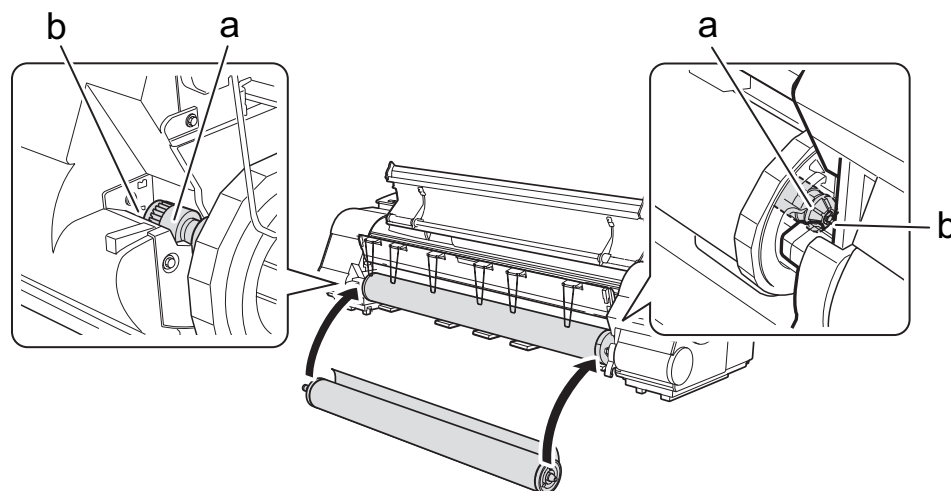
6 As shown in the figure, slide the holder stopper onto the roll holder from the left. Holding the holder stopper at the position in the figure marked (b), press until the holder stopper flange (a) is securely in contact with the paper. Lower the holder stopper lever (c) to the shaft side to lock it.



Important

- Insert the roll holder as far as it will go so there is no gap between the paper and the roll holder flange. A gap can cause the paper to feed irregularly.
- Remove all wrinkles and curls from the paper, if any, before loading it.

7 With the side of the roll holder with the white gear facing the same direction as the roll holder slot with the white gear, set the roll holder shaft (a) into the left and right guide grooves (b) of the roll holder slots. Allow the shaft to slide into the guides as far as possible.

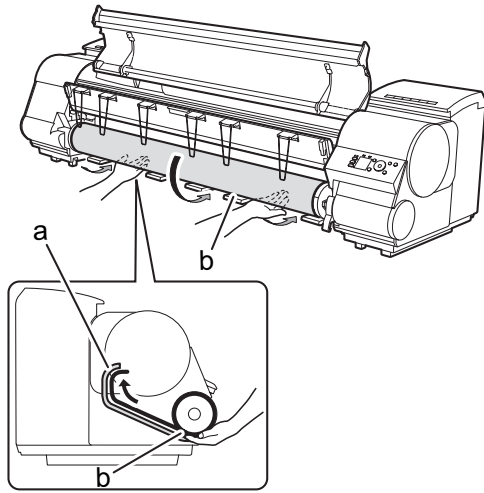


Important

- When setting the shaft into the guides, take care so the roll of paper does not fall and created the risk of personal injury.
- Be careful to not pinch your fingers between the shaft of the roll holder shaft (a) and the guide grooves (b) when loading a roll of paper.

8

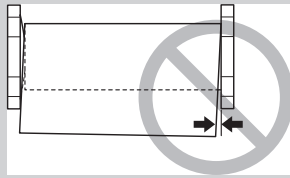
Pull out the paper so it is even on both sides and insert it into the feed slot (b), and feed it until it contacts the paper retainer (a).



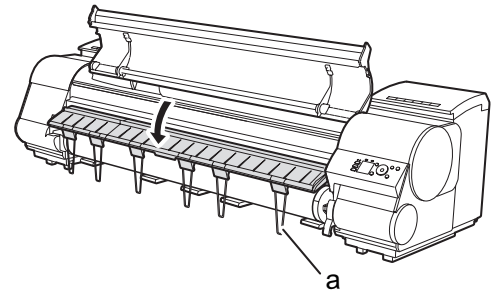
The paper feeds automatically until it contacts the paper retainer.



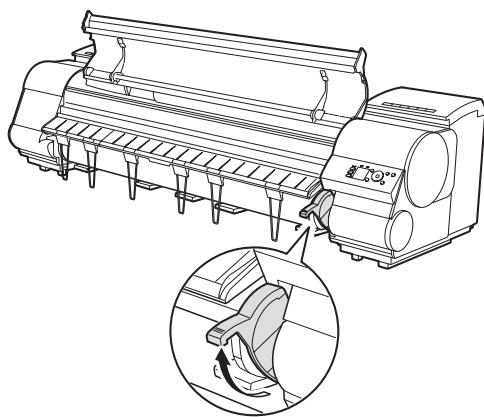
- Take care to avoid soiling the printing surface when removing rolls of paper. A soiled printing surface can affect printing quality.
- Remove all wrinkles and curls from the paper, if any, before loading it.
- When loading paper, make sure there is no gap between the right side of the roll and the roll holder.

**9**

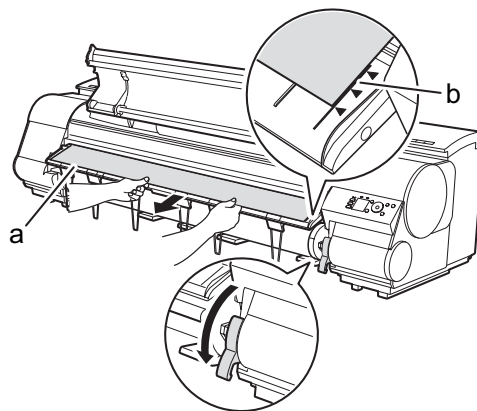
Lower the ejection guide. Lower the ejection guide carefully, taking care that the ejection supports (a) do not touch the paper.

**10**

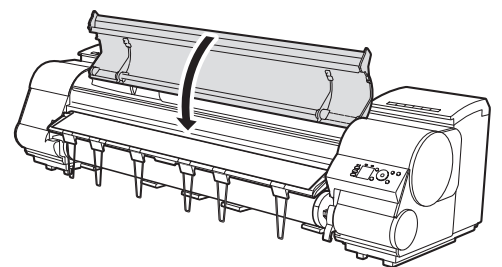
While holding the leading edge of the paper roll, raise the release lever.

**11**

Holding the leading edge of the paper with both hands, gently pull it to the ejection guide (a) as you ensure that the left and right sides remain even and that the right edge of the paper remains parallel with the orange paper alignment line (b). Next, lower the release lever.

**12**

Close the top cover.



After a roll of paper is loaded, the display screen automatically display a paper type selection menu and the printer beeps.



- Be sure to perform steps 10 and 11. If paper cannot feed straight or becomes curled, it may rub against the print head or be jammed.
- Do not pull paper in an attempt to force it to align with the paper alignment line (b). Doing so may cause the paper to not feed straight.

13

The screen for selecting the paper type is shown on the display screen. Press ▲ or ▼ to select the type of paper loaded in the printer. Select **Coated Paper** and then press **OK**. Then from the menu that appears, select **HW Coated** and then press **OK**.



Paper begins feeding.



- If **Paper loaded crooked.** appears on the display screen, refer to steps 10 and 11 to reload the roll of paper. If the error occurs again after you reload the paper, remove the roll holder from the printer and check to make sure that the roll of paper is in close contact with the roll holder flange as described in step 5.

14

Once feeding the paper is finished, the printer automatically starts charging the system with ink and adjusting the printhead. Charging the system with ink and adjusting the printhead for the first time takes about 41 minutes. Install the printer driver and electronic manuals on your computer while the printer is working. (See "Install the Software and the Electronic Manuals" on page 12)



- Charging the system with ink fills the system between the ink tanks and printheads. In addition, cleaning is performed to keep the printer in optimal condition. This may cause the remaining ink indicator and maintenance cartridge capacity indicator to drop to about 80 % (the remaining ink indicator may drop to about 40 % for the starter ink tank), but this is not a problem with the printer.

When printhead adjustment is finished, **Ready** appears on the display screen.



- After you have finished setting up the printer and installing the software and electronic manuals, we recommend performing color calibration. Color calibration compensates for changes in color from individual variation and aged deterioration of the printer, ensuring better color consistency. Perform color calibration using the provided Sample Paper, which is compatible with this process. For information on other compatible paper, refer to the Paper Reference Guide. During color calibration, on the control panel's display screen, open (settings/adj. tab) and select **Adjust Printer - Calibration - Auto Adjust**. The process of color calibration takes about 10 minutes.
- If you use the color calibration for color adjustment, it is useful to set the function to notify the execution period (Prompt Execution). For details of the function, refer to "Using Color Calibration for Color Adjustment" in User's Guide.



Install the Software and the Electronic Manuals

Windows

You can print from Windows via USB or TCP/IP (network) connections. The installation procedure varies depending on how your printer is connected. Install the software and the electronic manuals by following instructions below. If you connect the printer with a USB cable, refer to "For USB connections" on page 12. If you connect the printer with TCP/IP (network), refer to "For TCP/IP (network) connections" on page 14.

- Important** • Installation requires administrative rights (such as those of Administrator). Be sure to log on using an account with administrative rights before installation.

<Compatible Operating Systems>

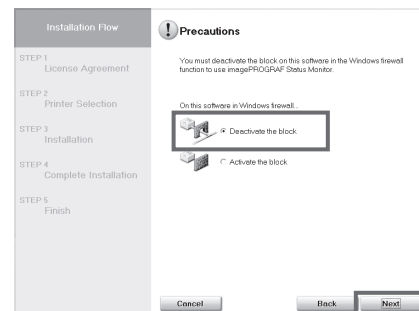
32-bit: Windows 7, Windows Vista, Windows Server 2003 R2, Windows Server 2003, Windows XP
64-bit: Windows 7, Windows Vista, Windows Server 2008 R2, Windows Server 2008, Windows Server 2003 R2, Windows Server 2003

- MEMO** • For the Windows OS, use the latest version of Service Pack.



The following screen may be displayed during installation depending on the security settings of your computer.

- Select **Deactivate the block** and click **Next**.



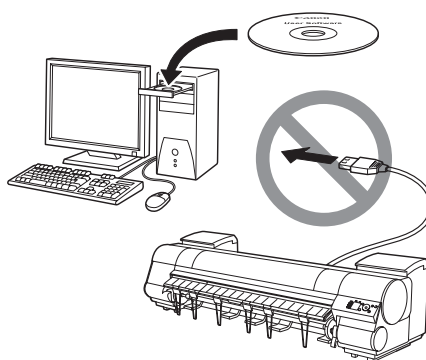
For USB connections

Install the software

- Important** • Use a USB cable that conforms to the Hi-Speed USB specification.
- Connect the USB cable to the printer according to the on-screen instructions during installation of the printer driver. If you connect the USB cable before installing the printer driver, the printer driver may not be installed correctly.

1

After making sure the printer is not connected to the computer, turn the computer on. Insert the provided **User Software CD-ROM** for your operating system in the CD-ROM drive.



2

In the **Setup Menu** window, click **Install Printer Driver**.

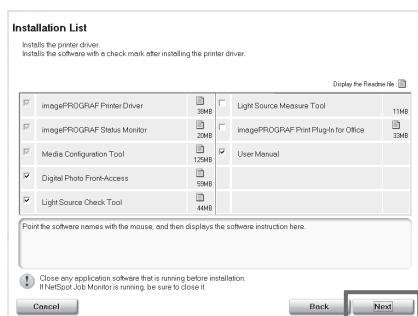


- To choose a different language, click **Language**.

3

Select the software to install in the **Installation List** window, and then click **Next**.

Point the mouse pointer at a software name to display a summary of the software.



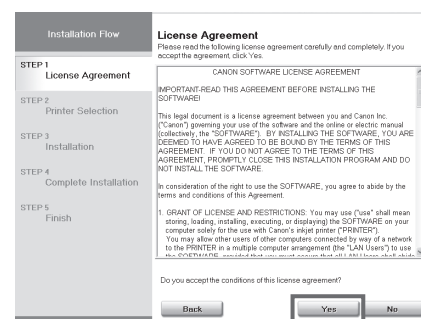
4

In the **Select Country or Region of Use** window, select the country or region of use and click **Next**.



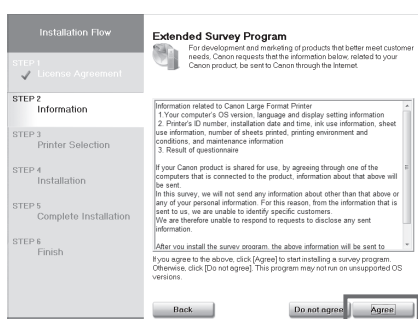
5

After reading the license agreement, click **Yes**.



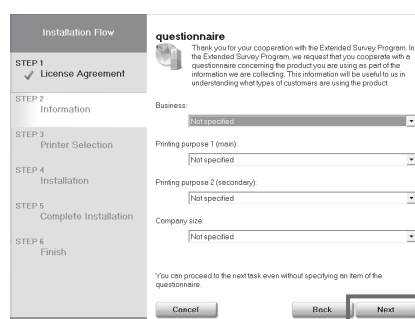
6

If you can agree Extended Survey Program, click **Agree**.



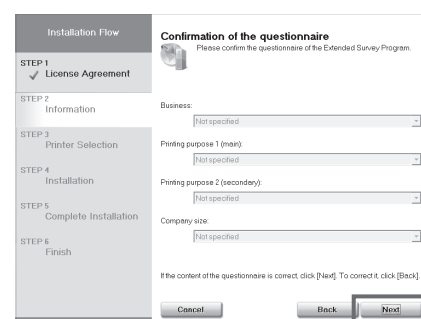
7

If you can respond to the questionnaire, click **Next**.

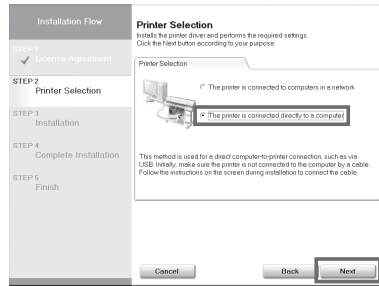


8

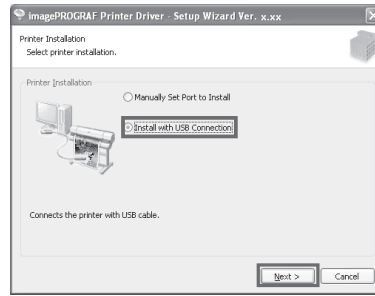
Confirm your questionnaire responses, and click **Next**.



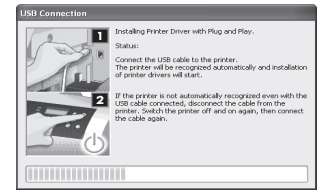
9 In the **Printer Selection** window, select **The printer is connected directly to a computer** and click **Next**.



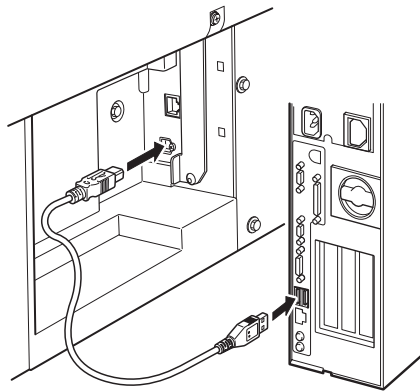
10 In the **Printer Installation** dialog box, select **Install with USB Connection**, and click **Next**.



11 When the following dialog box is displayed, make sure the printer is on and use the USB cable to connect the printer to the computer.

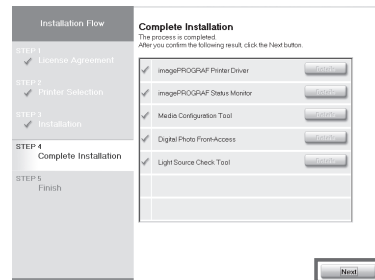


• If a warning message is displayed, click **Retry** to try again.

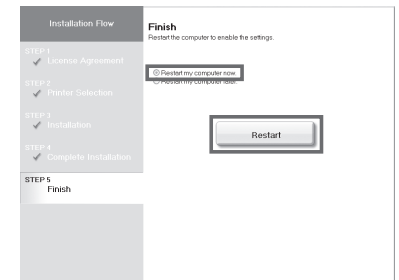


• Be careful not to insert the USB cable into the LAN port.

12 After reviewing the installation results in the **Complete Installation** window, click **Next**.



13 In the **Finish** window, select **Restart my computer now** and click **Restart**.

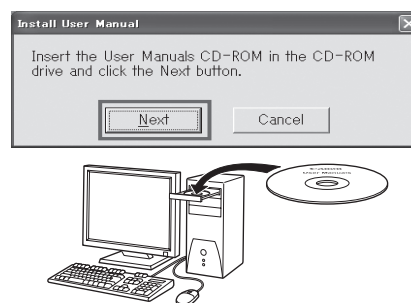


Install the electronic manuals

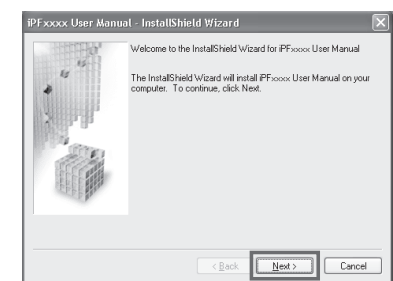
14 When you restart the computer, the software settings are enabled. The software installation is now completed. An **iPFxxxx Support** desktop icon is created after installation. (iPFxxxx represents the printer model.)

Next, install the electronic manuals.

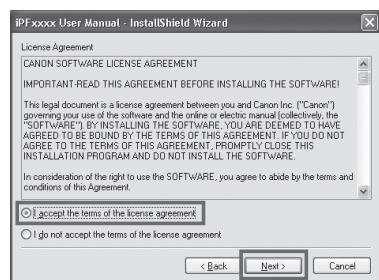
15 When the **Install User Manual** dialog box is displayed, insert the provided **User Manuals CD-ROM** in the CD-ROM drive and click **Next**.



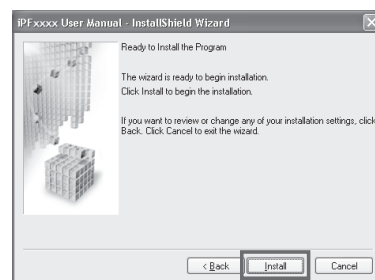
16 Click **Next**.



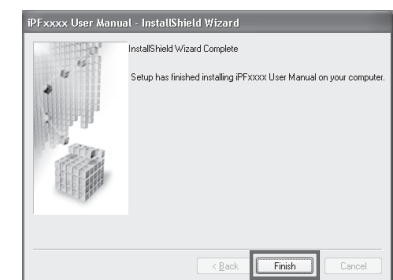
17 After reading the software license agreement, select **I accept the terms of the license agreement**, and then click **Next**.



18 Click **Install**. The installation process begins.



19 After installation is completed, click **Finish**.

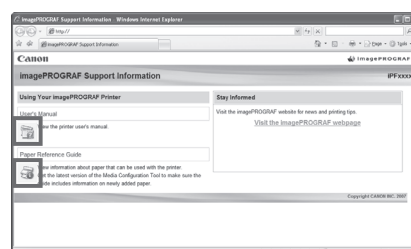


The electronic manuals installation is now completed.

20 Double-click the **iPFxxxx Support** desktop icon.



21 When clicking the **User's Manual** button, the User's Guide will be opened and clicking the **Paper Reference Guide** button, the Paper Reference Guide will be opened.



For TCP/IP (network) connections

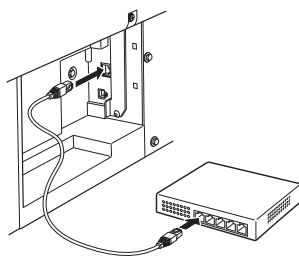
Install the software



If the printer is already connected to the network, confirm the IP address assigned to the printer. Ask your network administrator for further information.

1

Use the LAN cable to connect the LAN port on the back of the printer to the hub port. If the printer is already connected to the network, proceed to step 2.



2

Make sure the printer is on. Turn the computer on and insert the provided **User Software CD-ROM** for your operating system in the CD-ROM drive.



If the printer is on, the Link indicator under the LAN port lights.

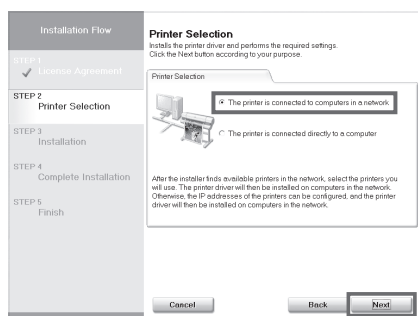
1000Base-T connection	The top and bottom LEDs light.
100Base-TX connection	The LED on the bottom lights green.
10Base-T connection	The LED on the top lights orange.

3

Perform procedures of steps 2-8 on page 12.

4

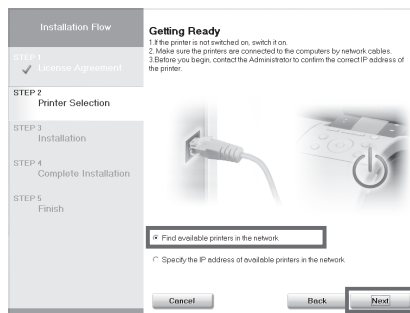
In the **Printer Selection** window, select **The printer is connected to computers in a network** and click **Next**.



5

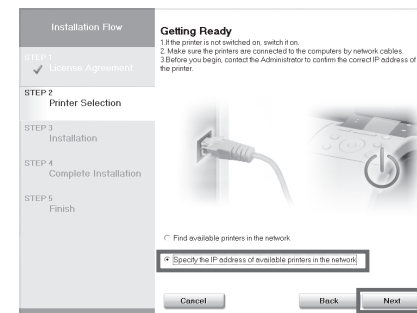
When searching the available printer on the network

After reading the precautions in the **Getting Ready** window, select **Find available printers in the network** and click **Next**. Proceed to step 6.



When entering the printer's IP address manually

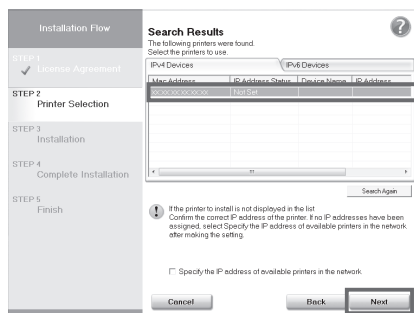
After reading the precautions in the **Getting Ready** window, select **Specify the IP address of available printers in the network** and click **Next**. Proceed to step 8.



6

When searching the available printer on the network

Available printers are listed in the **Search Results** window. Select a printer from the list on either their **IPv4 Devices** or **IPv6 Devices** tabs and click **Next**.



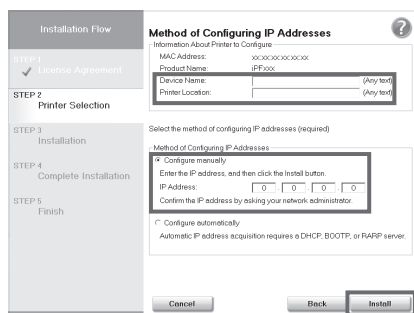
- The **IPv6 Devices** tab is displayed in Windows 7, Windows Vista, Windows Server 2008 R2, and Windows Server 2008.
- If the printer you want to use is not displayed in the list on the **IPv6 Devices** tab, connect via IPv4 instead.
- If the printer you want to use is not displayed in the list of printers on the **IPv4 Devices** tab, refer to "When the printer cannot be found on the network" on page 15 to setup and configure an IP address for the printer.

Select the printer with the **IP Address Status** is **Available**, and then click **Next** to start installation. Proceed to step 9 in this case.

7

When searching the available printer on the network

In the **Method of Configuring IP Addresses** window, enter the IP address in **Configure manually**, under **Method of Configuring IP Addresses**. Click **Install** to start the installation process. Also enter your preferred name for the printer in **Device Name** and the installation location in **Printer Location** under **Information About Printer to Configure**, as desired. The installation process begins. Proceed to step 9.

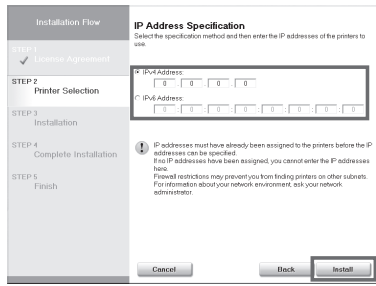


If you use a DHCP server for automatic assignment of the printer's IP address, printing may no longer be possible after the printer is turned off and on. This is because a different IP address has been assigned. When using DHCP server functions, consult your network administrator and configure the settings in one of the following ways:

- Configure the setting for dynamic DNS updating
In the printer menu, either set **DNS Dync update** to **On**, or activate the setting **Enable DNS Dynamic Update** in RemoteUI.
(→ "Menu Settings", User's Guide)
(→ "Configuring the Printer's TCP/IP Network Settings", User's Guide)
- Configure the setting for assignment of the same IP address each time the printer starts up

8 When entering the printer's IP address manually

In the **IP Address Specification** window, select either **IPv4 Address** or **IPv6 Address** to enter the printer's IP address and click **Install**.
The installation process begins.



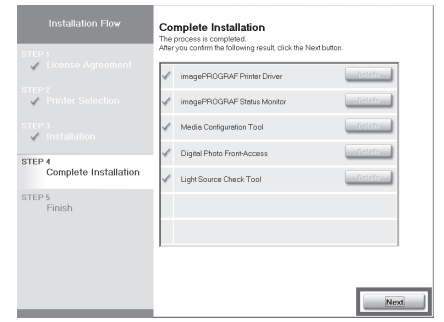
• Ask your network administrator for the IP address, as needed.



• **IPv6 Address** is displayed in Windows 7, Windows Vista, Windows Server 2008 R2, and Windows Server 2008.

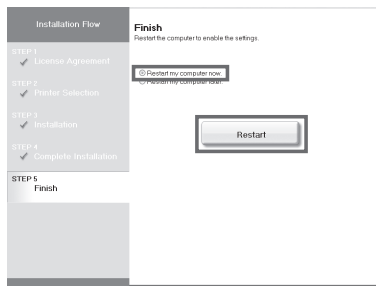
9

After reviewing the installation results in the **Complete Installation** window, click **Next**.



10

In the **Finish** window, select **Restart my computer now** and click **Restart**.



11

When you restart the computer, the software settings are enabled. The software installation is now completed. An **iPFxxxx Support** desktop icon is created after installation. (iPFxxxx represents the printer model.)

12

Next, follow steps 15-21 on page 13 to Install the electronic manuals

Install the electronic manuals

When the printer cannot be found on the network


If your printer cannot be found when connecting to the network for the first time, setup an IP address for the printer and then configure it on the printer.

When ink fills the system for the first time, after printhead adjustment is finished, specify the IP address on the printer's control panel.



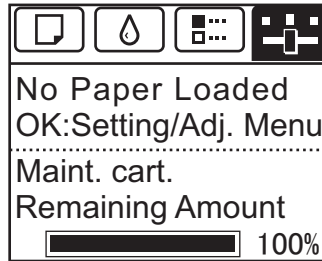
• When ink fills the system for the first time, do not operate the printer until printhead adjustment is finished.

1

On the tab selection screen of the control panel, press the ◀ and ▶ keys to select  (settings/adj. tab) and press **OK**.

2

Use the ▲ and ▼ keys to select **Interface Setup** and press **OK**.



3

Use the ▲ and ▼ keys to select **TCP/IP** and press **OK**.

4

Enter the IP address. Navigate through the following menus using the ▲ and ▼ keys on the control panel.

1. Select **IPv4** and press **OK**.
2. Select **IPv4 Settings** and press **OK**.
3. Select **IP Address** and press **OK**.
4. Enter the IP address.



How to enter IP addresses

1. Press the ◀ and ▶ keys to select a field for inputting values.
2. Use the ▲ and ▼ keys to input values.
 - Pressing ▲ increases the value by one.
 - Pressing ▼ decreases the value by one.
 - Holding down either the ▲ or ▼ keys continually increases or decreases the value.
3. Press **OK** once you have finished.

5

Press **Menu**.

6

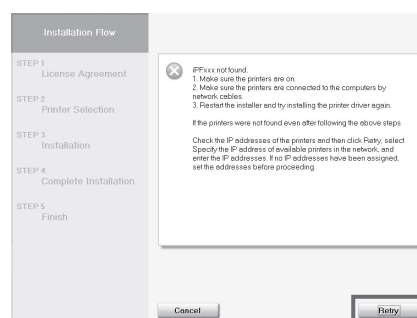
Press **OK** on the registration confirmation message that appears. The IP address is set on the printer. Next, restart installation of the printer driver.

7

In the **Search Results** window, select **Specify the IP address of available printers in the network** and click **Next**. When the **IP Address Specifications** window appears, follow the instructions of "When entering the printer's IP address manually" in step 8 to 12 on page 15 to complete the installation of the software and electronic manuals.



• If the following screen appears, click **Retry** and select **Specify the IP address of available printers in the network** on the next screen that appears.



Macintosh

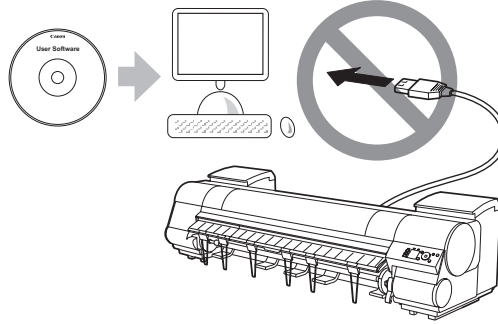
You can print from Macintosh via USB or network connections such as Bonjour or IP.
Install the software and electronic manuals depending on your computer environment.

<Compatible Operating Systems>
Mac OS X v10.5.8 to v10.7

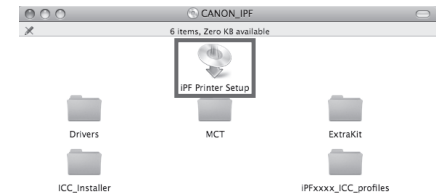
Install the software

Important • If you install the software, log onto the computer as an administrator.

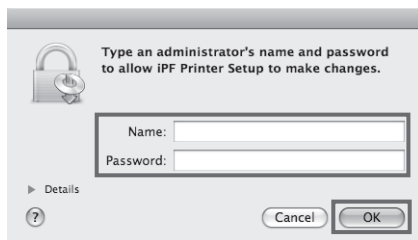
1 After making sure the printer is not connected to the computer, turn the computer on. Insert the provided **User Software CD-ROM** for your operating system in the CD-ROM drive.



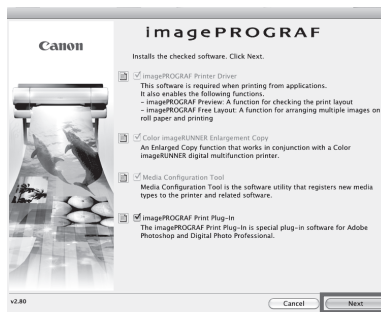
2 On the desktop, double-click the CD-ROM icon and then the **iPF Printer Setup** icon.



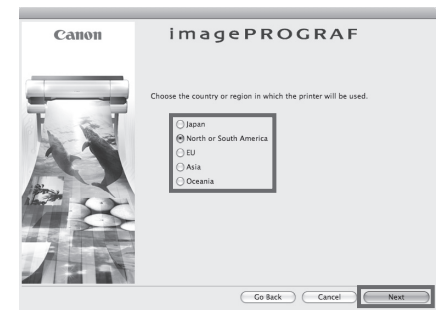
3 If the following screen is displayed, enter the user name and password of a user with administrative rights and click **OK**.



4 Select the software to install, and click **Next**.



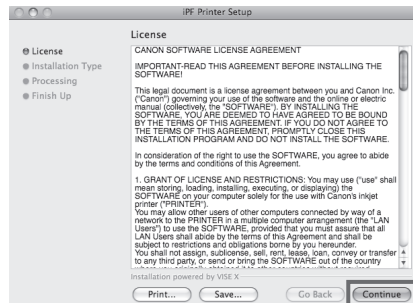
5 Select the country or region where the printer will be used and click **Next**.



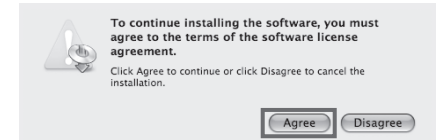
6 Click **Next**.



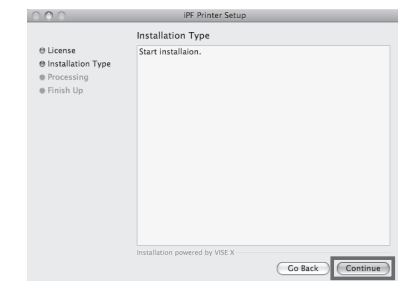
7 After reading the software license agreement, click **Continue**.



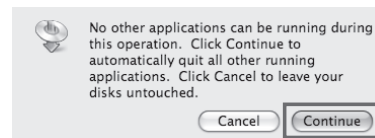
8 Click **Agree**.



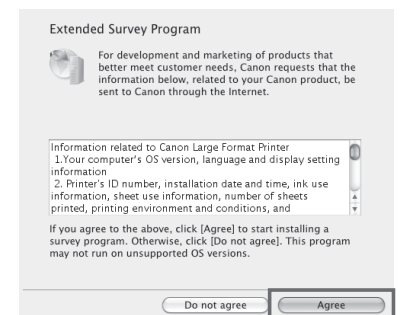
9 Click **Continue**.



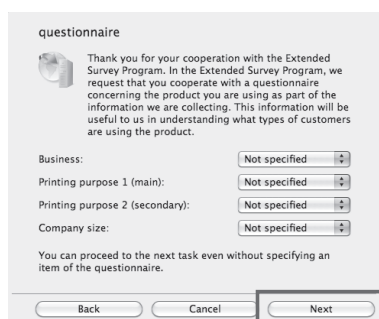
10 Exit other applications and click **Continue**. Items selected in step 4 are installed.



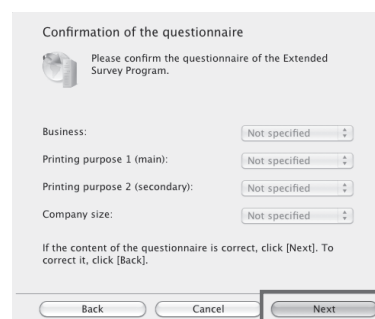
11 If you can agree Extended Survey Program, click **Agree**.



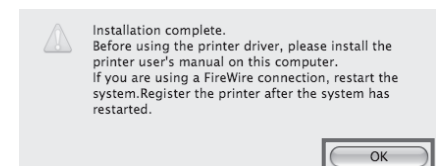
12 If you can respond to the questionnaire, click **Next**.



13 Confirm your questionnaire responses, and click **Next**.

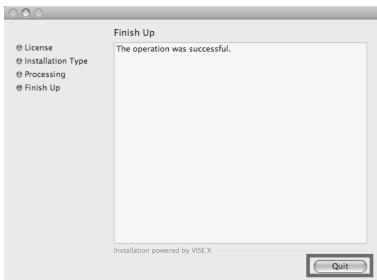


14 Click **OK**.



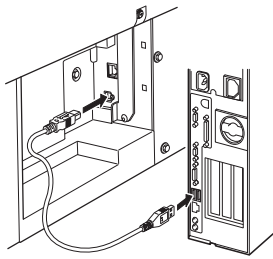
Connect the printer to a computer

- 15** Click **Quit**.
The software installation is now completed. Next, connect the printer to the computer.

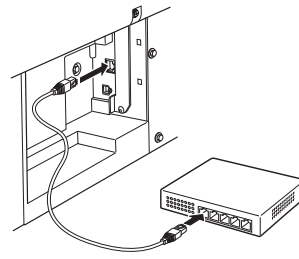


- 16** Make sure that the printer is on, and then connect the printer to the computer or the network with a cable.

- For USB connections



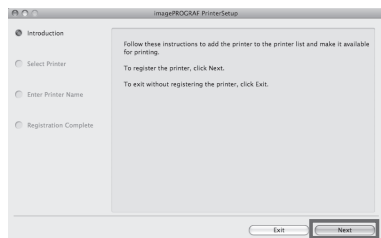
- For network connections



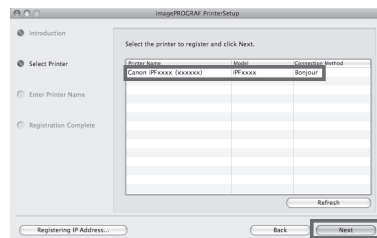
- Be careful not to insert the USB cable into the LAN port.

Select the printer to setup

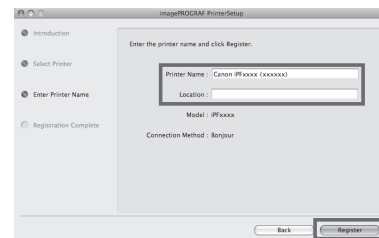
- 17** Click **Next**.



- 18** Select the printer to setup and click **Next**.

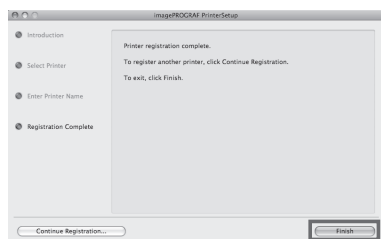


- 19** After entering your preferred name for the printer in **Printer Name** and the installation location in **Location**, click **Register**.



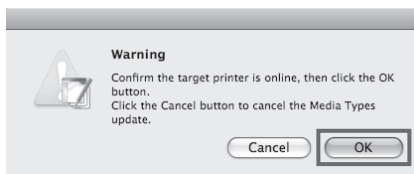
- To register the printer by entering its IP address, click **Registering IP Address**. Enter the IP address of the desired printer in **IP Address** and click **Next**.

- 20** Click **Finish**.



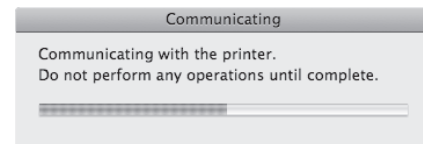
- To register another printer, click **Continue Registration**, and repeat steps 17 to 19.

- 21** Click **OK**.



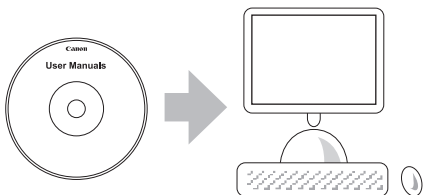
- If the same model of printer is already registered on the computer, a screen is displayed for printer selection. Select the desired printer and click **Next**.

- 22** The following screen is displayed and paper information is updated. When the paper information has been updated, the screen is no longer displayed.



Install the electronic manuals

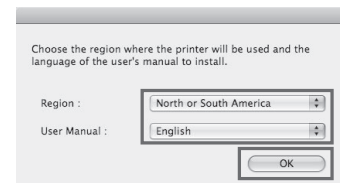
- 23** Next, install the electronic manuals. Insert the provided **User Manuals CD-ROM** in the CD-ROM drive.



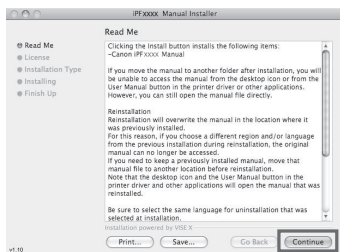
- 24** Double-click the **iPFxxxx Manual Installer** icon on the CD-ROM. (iPFxxxx represents the printer model.)



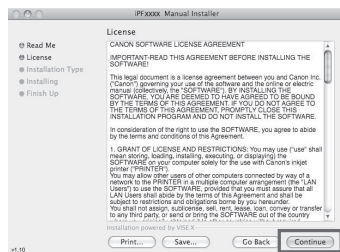
- 25** Select the region where the printer will be used and the language of the user manual to install, and then click **OK**.



- 26** Check the message and click **Continue**.



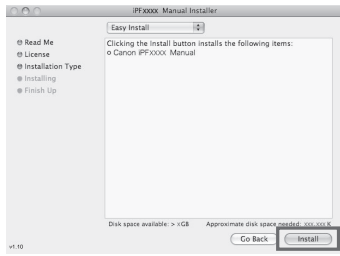
- 27** After reading the software license agreement, click **Continue**.



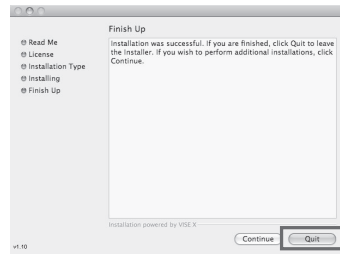
- 28** Click **Agree**.



29 Click **Install**.



30 After installation is completed, click **Quit**.

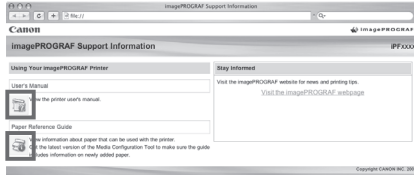


31 Click the **iPF Support** icon in the **Dock** (**Launchpad** in OS X v10.7 and later).



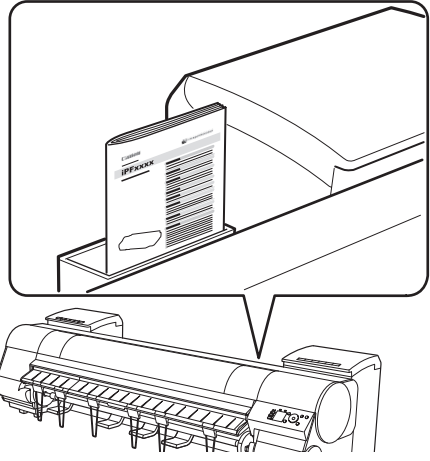
The electronic manuals installation is now completed.

32 When clicking the **User's Manual** button, the User's Guide will be opened and clicking the **Paper Reference Guide** button, the Paper Reference Guide will be opened.

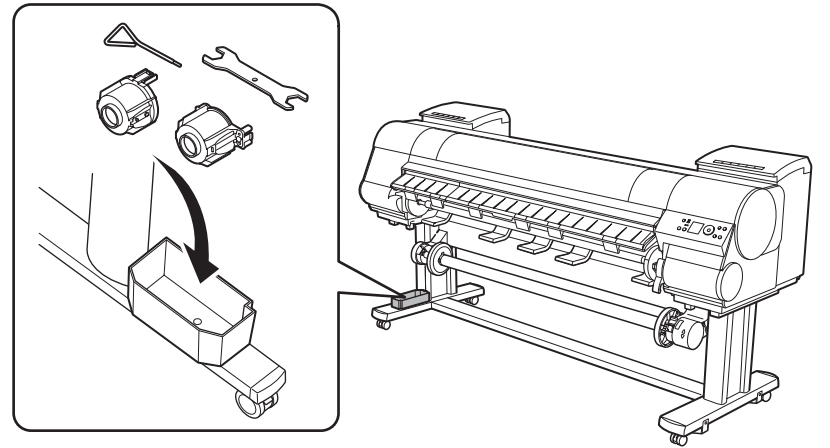


Store Accessories in the Pocket

- 1 Use the manual pocket to store the Basic Guide (which includes descriptions of basic printer operations, routine maintenance, and troubleshooting tips), so you can refer to it as needed.



- 2 If you are using a stand, store accessories such as the **3-inch paper core attachment** in the accessory pocket.



• When the setup is completed, refer to the various manuals to use the printer. Refer to "The Manuals Supplied with This Printer" on page 1.



Responding to Messages

Error messages may appear on the display screen of the control panel during printer installation. If so, it may not indicate a problem with the printer, and the issue may be easily resolved. Common messages and the causes are listed here with corrective actions. To respond to error messages other than these, refer to the Basic Guide. For details of operation procedure, refer to User's Guide installed in "Install the Software and the Electronic Manuals".

Message	Cause	Corrective Action
No ink tank loaded. Check ink tank.	There is no ink tank loaded.	Load or reload the ink tank. (See steps 4-12 on pages 8-9)
Cannot recognize print head x.	The printhead is not installed.	Install the printhead. (See steps 1-12 on pages 9-10)
Paper loaded crooked.	The loaded paper is crooked.	Reload the roll of paper. (See steps 10 and 11 on page 11) If the error occurs again after you reload the roll of paper, remove the roll holder from the printer and check to make sure that the paper is in close contact with the roll holder flange. (See step 5 on page 10)
No maintenance cartridge installed.	The maintenance cartridge is not connected.	Install the maintenance cartridge correctly.
Hardware error. xxxxxxx-xxxx (x represents a letter or number)	The belt stopper or the tape inside the top cover has not been removed.	Turn off the power, open the top cover, and remove the tape and the belt stopper, then turn the power on.
	You may have encountered an error that cannot be resolved.	Turn off the printer and wait at least three seconds before restoring the power. If the message appears again, write down the error code and message, turn off the printer, and contact your Canon dealer for assistance.
ERROR Exxx-xxxx (x represents a letter or number)	You may have encountered an error that cannot be resolved.	Write down the error code and message, turn off the printer, and contact your Canon dealer for assistance.