



QT61019V01

ENGLISH

繁體中文

한국어

ภาษาไทย

BAHASA INDONESIA

TIẾNG VIỆT

Canon

PIXMA MG2900 series
PIXMA E460 series

Getting Started 1

入門指南 1

입문 가이드 1

คำแนะนำเริ่มต้น 1

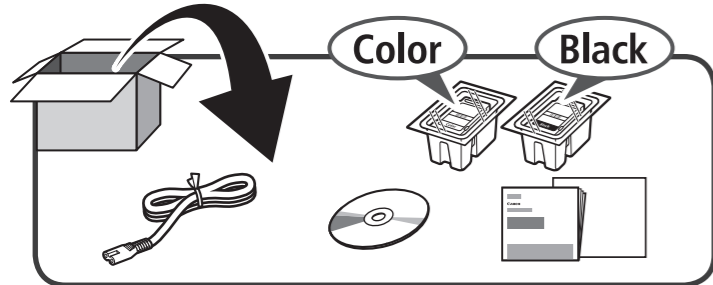
Mari Memulai 1

Hướng dẫn bắt đầu 1

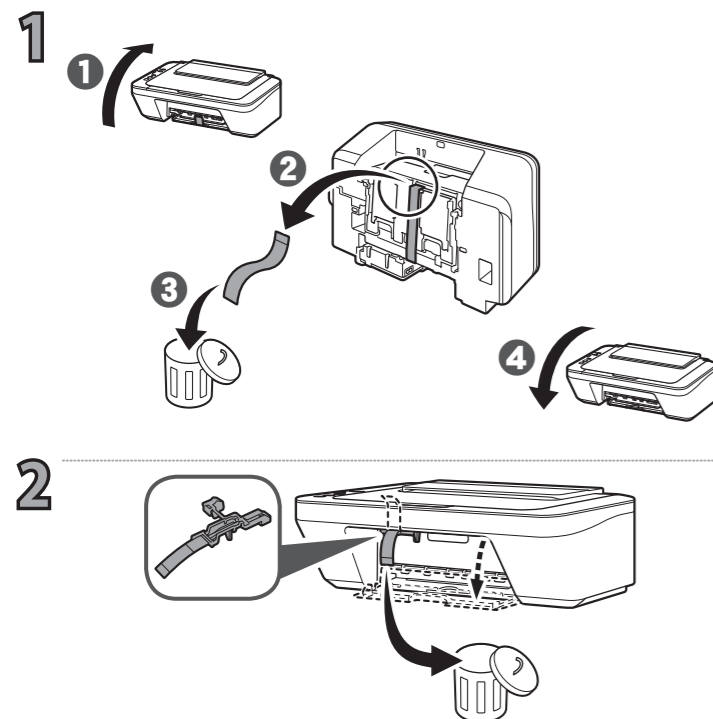
RMC: K10405
RMC: K10414



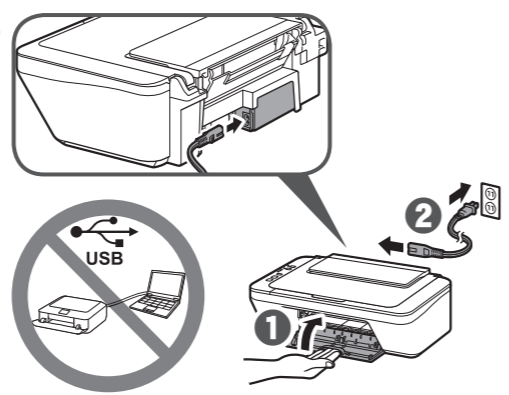
1



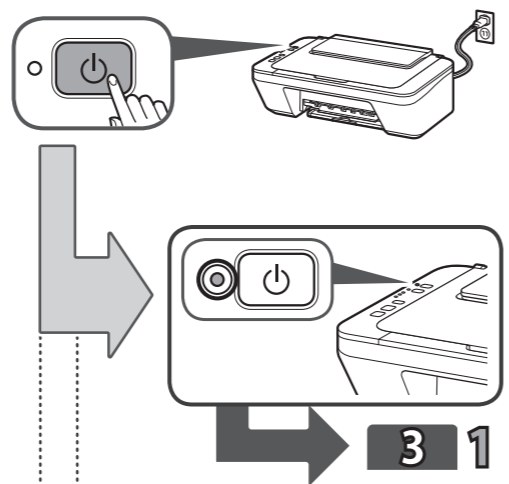
2



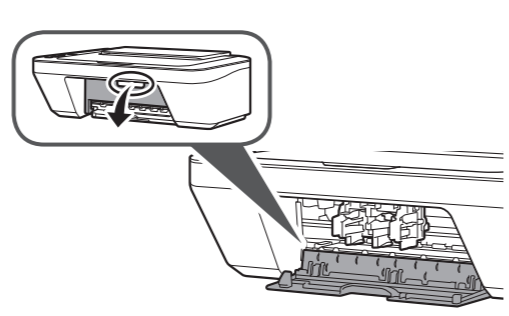
3



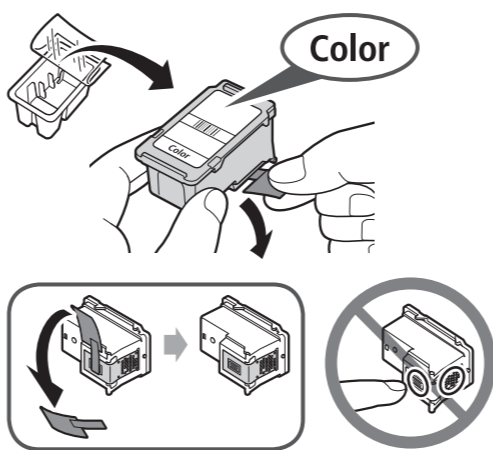
4



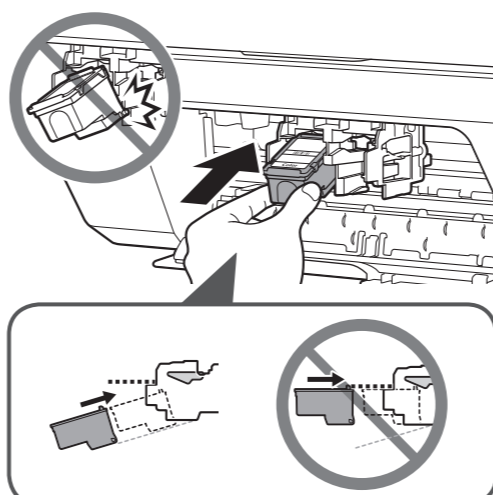
3



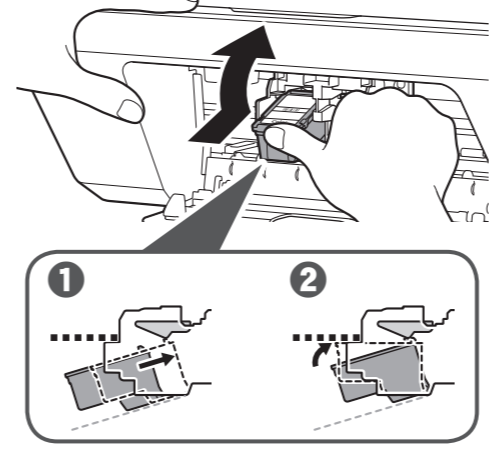
2



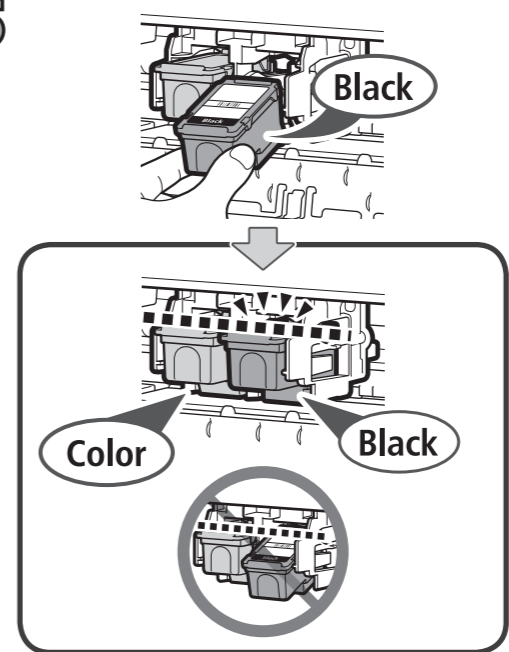
3



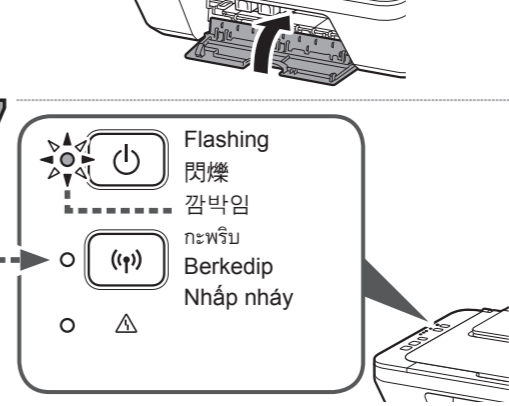
4



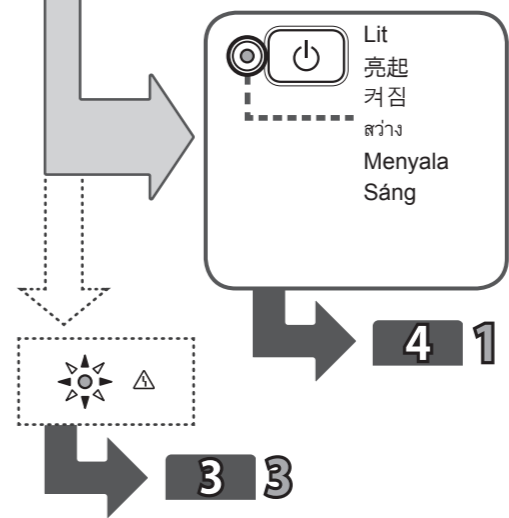
5



6

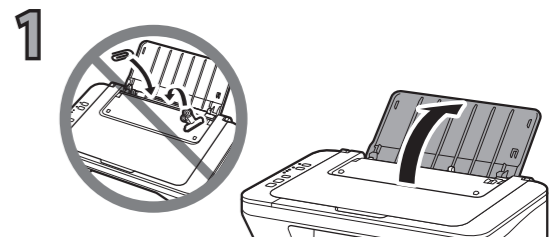


7

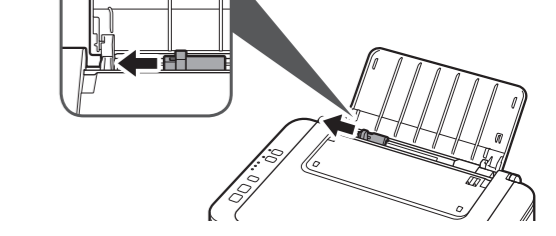


The Wi-Fi lamp (A) is lit or flashing.
Wi-Fi 指示燈 (A) 亮起或閃爍。
Wi-Fi 램프 (A) 가 켜지거나 깜박입니다.
สัญญาณไฟ Wi-Fi (A) ติดสว่างหรือกะพริบ
Lampu Wi-Fi (A) menyala atau berkedip.
Đèn Wi-Fi (A) sáng hoặc nhấp nháy.

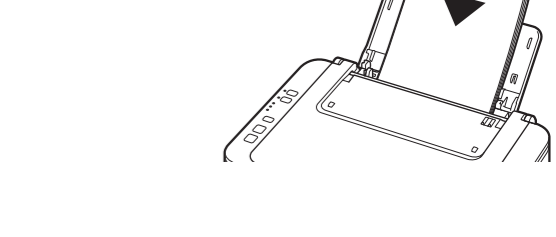
4



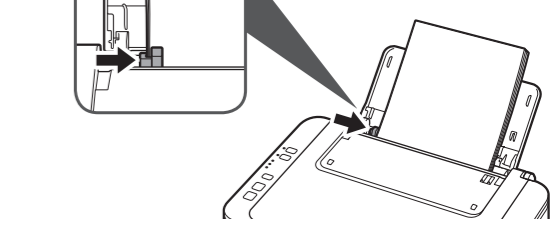
2



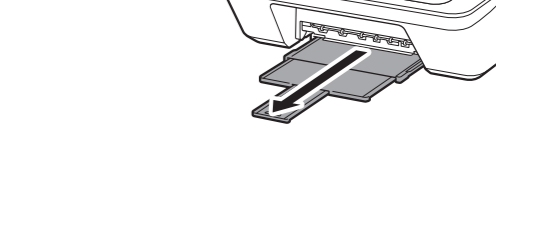
3



4

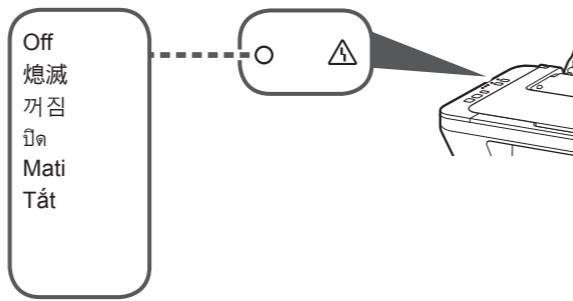


5



5

- 1 Check that the **Alarm** lamp is off.
 確認警告指示燈熄滅。
알람(Alarm) 램프가 꺼져 있는지 확인합니다.
 ตรวจสอบว่าสัญญาณไฟ เตือนดับ
 Periksa apakah lampu **Alarm** mati.
 Kiểm tra đèn **Cảnh báo** tắt.



2 To connect the machine to a PC, smartphone or tablet

若要將本機連接至電腦、智慧型手機或平板

기기를 PC, 스마트폰 또는 태블릿에 연결하려면

ให้เชื่อมต่อเครื่องกับ PC สมาร์ทโฟนหรือแท็บเล็ต

Untuk menghubungkan mesin ke PC, ponsel pintar atau tablet

Để kết nối máy với máy tính, điện thoại thông minh hoặc máy tính bảng

Use the machine without connecting any other devices

在不連接其他任何裝置的情況下使用本機

기기를 다른 장치에 연결하지 않고 사용하려면

การใช้เครื่องโดยไม่เชื่อมต่ออุปกรณ์อื่นใด ๆ

Menggunakan mesin tanpa menghubungkan perangkat lain apa pun

Sử dụng máy không cần kết nối bất kỳ thiết bị nào khác



- If the **Alarm** lamp is flashing:
 如果警告指示燈閃爍：
알람(Alarm) 램프가 깜박이는 경우:
 หากสัญญาณไฟ เตือนกะพริบอยู่:
 Jika lampu **Alarm** berkedip:
 Nếu đèn **Cảnh báo** đang nhấp nháy:

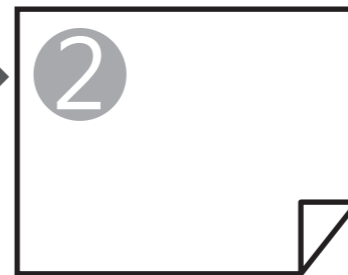
- | | |
|---------|--|
| 9 times | The protective materials are not removed. Press the ON button to turn OFF the machine, then redo from 2 - 2 . |
| 9次 | 保護材料尚未移除。按 電源 按鈕關閉本機，然後從 2 - 2 開始重新操作。 |
| 9번 | 보호 재료를 제거하지 않았습니다. 전원(ON) 버튼을 눌러 기기를 끈 다음 2 - 2 부터 다시 실행하십시오. |
| 9 ครั้ง | ไม่ได้เอาวัสดุป้องกันออก กดปุ่ม พลังงาน เพื่อปิดเครื่อง จากนั้นทำซ้ำจากขั้นตอน 2 - 2 |
| 9 kali | Material pelindung tidak dilepas. Tekan tombol DAYA untuk mematikan mesin, kemudian ulangi dari 2 - 2 . |
| 9 lần | Không được tháo vật liệu bảo vệ ra. Nhấn nút BẬT để TẮT máy, rồi làm lại từ 2 - 2 . |

- | | |
|---------|---|
| 4 times | Check that the FINE Cartridges are installed correctly. Refer to 3 . |
| 4次 | 確認FINE 墨盒是否已正確安裝。請參閱 3 。 |
| 4번 | FINE 카트리지 가 올바르게 설치되었는지 확인하십시오. 3 을 참조하십시오. |
| 4 ครั้ง | ตรวจสอบว่าคาร์ทริด FINE ได้รับการติดตั้งอย่างถูกต้อง ให้ดู 3 |
| 4 kali | Periksa apakah Kartrij FINE telah terpasang dengan benar. Rujuk ke 3 . |
| 4 lần | Kiểm tra Hộp mực FINE được thiết đặt đúng cách. Tham khảo 3 . |

A

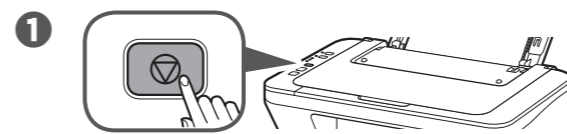
- 1 Follow the steps in the **Getting Started 2** to make connections and install software, then continue the machine setup.
 按照**入門指南 2**中的步驟進行連接並安裝軟體，然後繼續執行印表機設定。
입문 가이드 2의 단계에 따라 연결을 실행하고 소프트웨어를 설치한 다음 프린터 설정을 계속합니다.
 ให้ทำตามขั้นตอนใน **คำแนะนำเริ่มต้น 2** เพื่อทำการเชื่อมต่อและติดตั้งซอฟต์แวร์ จากนั้นตั้งค่าเครื่องพิมพ์ต่อไป
 Ikuti langkah-langkah dalam **Mari Memulai 2** untuk membuat koneksi dan menginstal perangkat lunak, dan kemudian lanjutkan pengesetan pencetak.
 Làm theo các bước trong **Hướng dẫn bắt đầu 2** để kết nối và cài đặt phần mềm, rồi tiếp tục cài đặt máy in.

Connection method 連接方法 연결 방법	วิธีการเชื่อมต่อ Metode koneksi Phương thức kết nối
Wireless LAN 無線LAN 무선 LAN LAN แบบไร้สาย LAN Nirkabel Mạng LAN không dây	
USB	

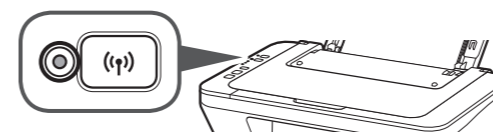


Getting Started 2
入門指南 2
입문 가이드 2
คำแนะนำเริ่มต้น 2
Mari Memulai 2
Hướng dẫn bắt đầu 2

B



- 2 When the **Wi-Fi** lamp is lit, the machine setup is complete.
Wi-Fi指示燈亮起時，本機設定完成。
Wi-Fi 램프가 켜지면 기기 설정이 완료된 것입니다.
 เมื่อสัญญาณไฟ **Wi-Fi** ติดสว่าง การตั้งค่าเครื่องเสร็จสิ้น
 Ketika lampu **Wi-Fi** menyala, pengesetan mesin selesai.
 Khi đèn **Wi-Fi** sáng, việc thiết đặt máy được hoàn tất.



The **Online Manual** is accessible from the website.
 可以從網站存取**線上手冊**。
 웹 사이트에서 **온라인 설명서**에 액세스할 수 있습니다.
คู่มือออนไลน์ สามารถเข้าได้จากเว็บไซต์
Petunjuk Daring dapat diakses dari situs web.
 Truy cập **Hướng dẫn sử dụng trực tuyến** từ trang web.

