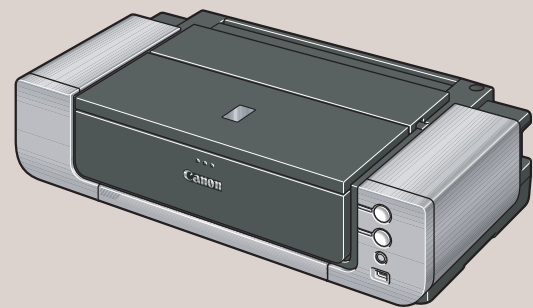
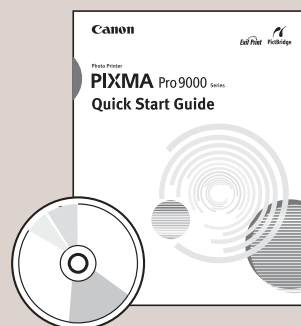


1 Unpack the Printer

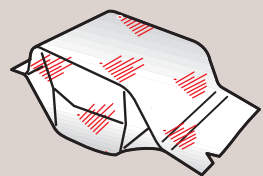
- Carefully remove all items from the box.



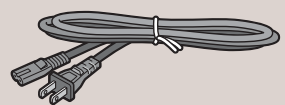
PIXMA Pro9000 Photo Printer



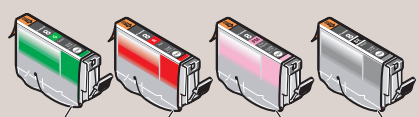
Documentation and Software Kit



PIXMA Pro9000 Print Head



Power Cord

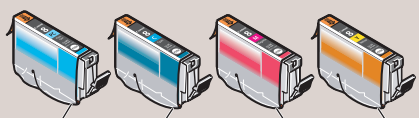


CLI-8G Green

CLI-8R Red

CLI-8PM Photo Magenta

CLI-8BK Black



CLI-8PC Photo Cyan

CLI-8C Cyan

CLI-8M Magenta

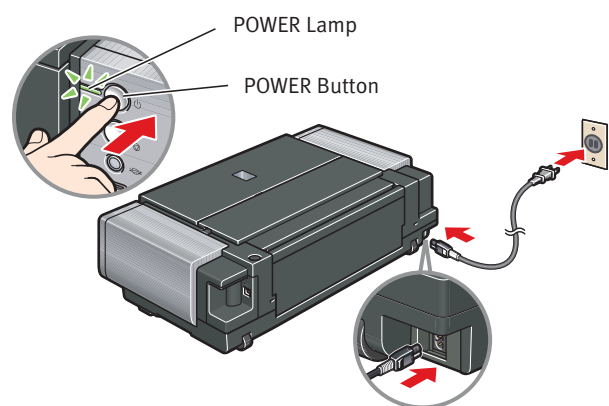
CLI-8Y Yellow

Ink Tanks

- Remove the tapes from the printer.

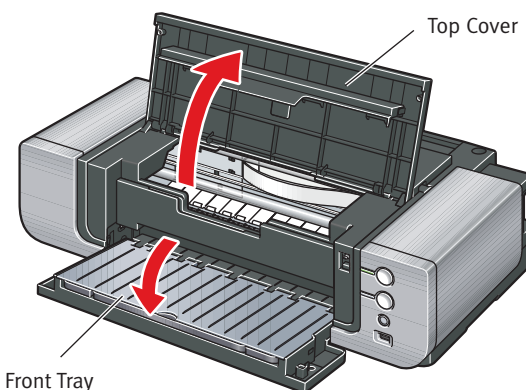
2 Prepare the Printer

- Plug the power cord into the back of the printer and connect the other end to a power outlet. Press the POWER button. The printer will initialize. Wait until the POWER lamp displays a steady green light.

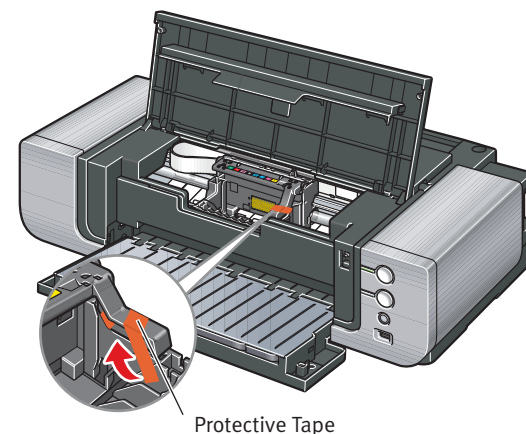


- Open the Front Tray. Raise the Top Cover.

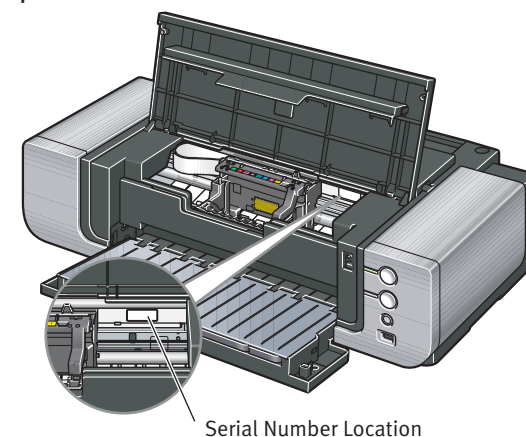
NOTE: Gently press the mark on the Front Tray. The Front Tray automatically opens.



- The Print Head Holder automatically moves to the center. Remove the protective tape from the Print Head Holder. The tape position is subject to change.



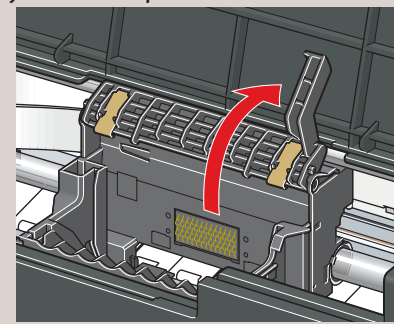
- Write down the serial number located inside the printer. You will need this to register your products.



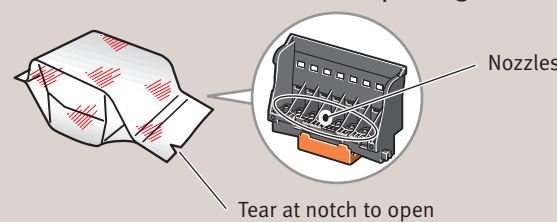
IMPORTANT: If the Top Cover is left open for more than 10 minutes, the Print Head Holder moves to the right. Close and reopen the Top Cover to return the holder to the center.

3 Install the Print Head

- Firmly raise the print head lock lever.



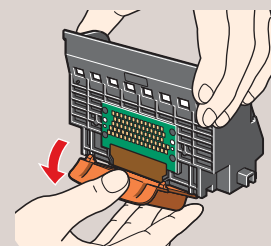
- Remove the Print Head from its package.



CAUTION: There might be some transparent or light blue ink on the inside of the bag the Print Head comes in - this has no effect on print quality. Be careful not to get ink on yourself when handling these items.

NOTE: Do not touch the nozzles.

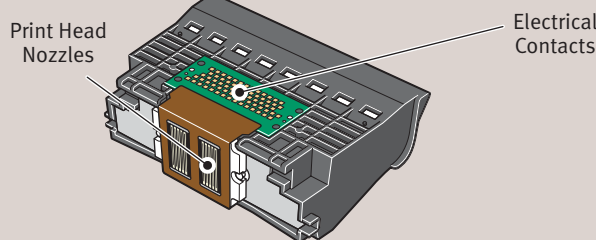
- Remove and discard the orange protective cap from the Print Head.



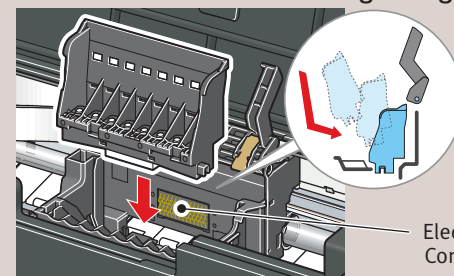
CAUTION: There might be some transparent or light blue ink on the inside of the protective cap - this has no effect on print quality. Be careful not to get ink on yourself when handling these items.

NOTE:

- Do not touch the print head nozzles and the electrical contacts.
- Do not attempt to reattach the protective cap once it has been removed.

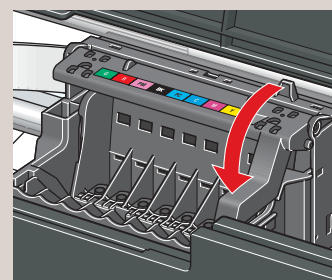


- Slide the Print Head into the holder. The Print Head will rest at a slight angle.



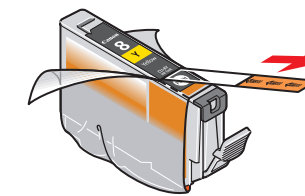
NOTE: Do not touch the electrical contacts.

- Lower the print head lock lever carefully and press it down.



4 Install the Ink Tanks

- Peel back the orange tab completely and remove the plastic wrapper from the Yellow Ink Tank (CLI-8Y).

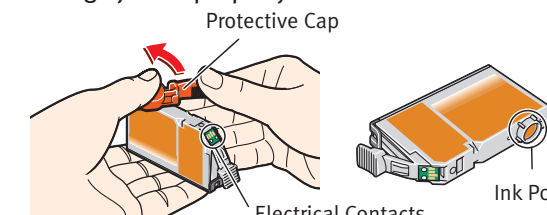


- Twist off and discard the orange protective cap located on the bottom of the ink tank.

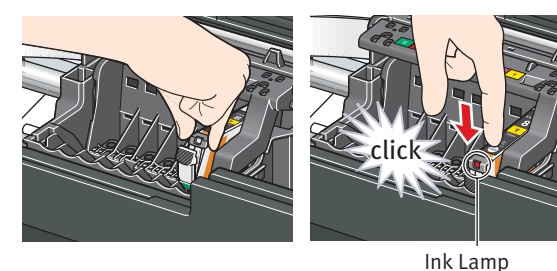
IMPORTANT: Do not touch the electrical contacts.

NOTE:

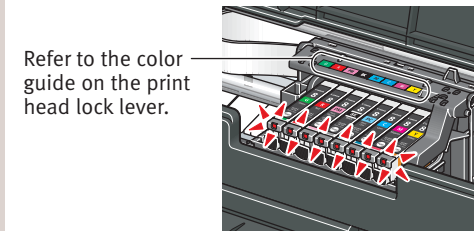
- To avoid spilling ink, never press on the sides of an ink tank.
- Do not touch the open ink port once the protective cap is removed, as this may prevent the ink from being ejected properly.



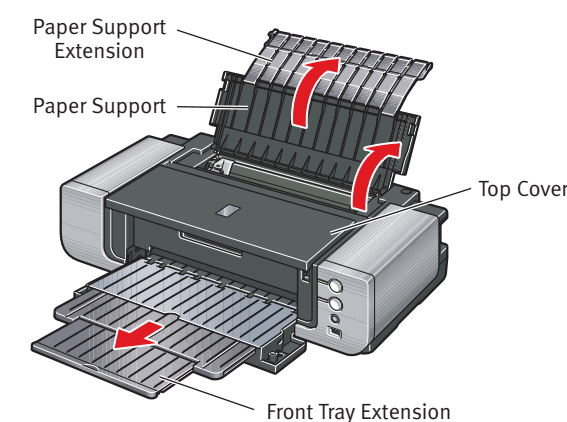
- Insert the ink tank into the rightmost slot. Press the mark on the ink tank until it clicks into place and then its lamp lights red.



- Insert the remaining seven ink tanks into their assigned slots. Ensure that ink lamps light red.



- Close the Top Cover. Lift open the Paper Support and the Paper Support Extension, then pull out the Front Tray Extension.



NOTE: If the ALARM lamp on the printer flashes orange after you have closed the Top Cover, an ink tank may not be installed properly. Open the Top Cover and make sure that the ink tanks are installed in the correct order directed on the label.

5 Connect the Printer and Load Paper

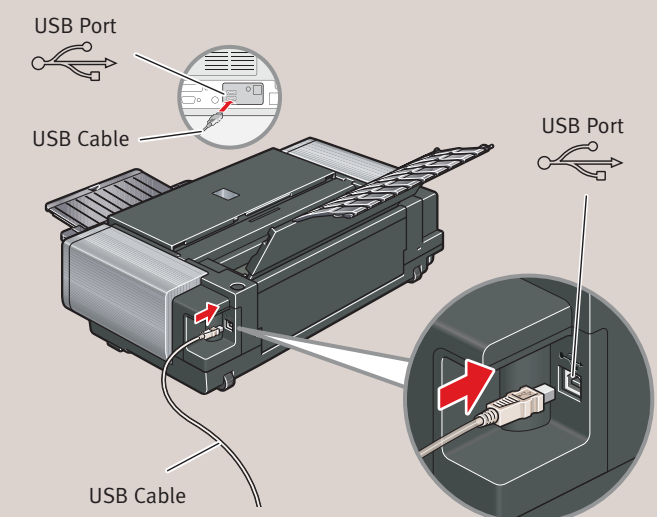
IMPORTANT: Once you have installed the ink tanks, the POWER lamp will flash green. Wait for about 2 minutes 30 seconds until the POWER lamp displays a steady green light and the printer has stopped making operating noises before proceeding.

- TURN THE PRINTER OFF.

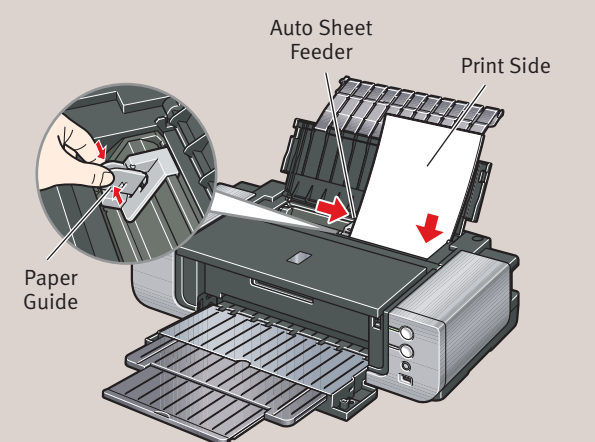
IMPORTANT: Be sure the printer is off before continuing, or the computer will attempt to install the printer driver before the printer is ready.

- Connect one end of the USB cable to the computer, the other to the appropriate USB port on the printer.

NOTE: The Pro9000 Photo Printer is equipped with USB 2.0 Hi-Speed port. If your PC does not support USB 2.0 Hi-Speed, or if any non-certified USB 2.0 cable or driver is used for the connection, the printer will operate at a lower speed provided under USB 1.1.



- Pinch the Paper Guide and slide it to the left. Load two sheets of plain paper into the Auto Sheet Feeder, align the paper with the right edge of the Auto Sheet Feeder, then slide the Paper Guide toward the left edge of the paper.



IMPORTANT: Print Head Alignment (Step 6) requires that letter size paper is loaded in the Auto Sheet Feeder (top paper feeder).

Continue with Step 6 on side two.



6 Windows® Printer Driver Installation and Print Head Alignment

6 Macintosh® Printer Driver Installation and Print Head Alignment

Column Introduction to the Front Paper Feeding

NOTE: The screens below refer to Windows XP Service Pack 2 installation. Screens may differ depending on the operating system you are using.

- 1 Be sure to **TURN THE PRINTER OFF** before continuing.
- 2 Turn on the computer and start Windows.

NOTE:

- For Windows XP or Windows 2000, log on to Windows as a member of the Administrators group before continuing.
- Before installing the driver, disable all anti-virus programs and automatically loading programs.

IMPORTANT: If you see the Found New Hardware Wizard, click **Cancel**, and turn off the printer. Next, remove the USB cable connected to your computer. Then proceed from step 3 to install the printer driver.



- 3 Insert the **Setup CD-ROM**. The setup program should run automatically.

NOTE: If the setup program does not run, click **Start**, then **Run**, then type **D:\Msetup4.exe**, where **D** is your CD-ROM drive.

- 4 When the main menu appears, click **Easy Install**.



NOTE:

- Select **Easy Install** in order to install the application software, on-screen manuals and printer driver. Select **Custom Install** in order to choose the options you would like to install.
- To install PhotoRecord, click **Custom Install** and follow the instruction on the screen.
- Adobe® Photoshop® CS, Adobe Photoshop CS2, or Digital Photo Professional must be installed to use Easy-PhotoPrint Pro.

- 5 When the list of applications to install appears, verify the contents, click **Install**, then follow the instructions on the screen. Move the cursor over items to display explanations of each application below.

NOTE: Easy-PhotoPrint Pro and Adobe RGB (1998) cannot be installed in Windows Me and Windows 98.

- 6 Read the **License Agreement** and click **Yes**. Follow the on-screen instructions to install the software. If a message asking for your confirmation to restart your computer appears, click **OK**. The system is restarted automatically.

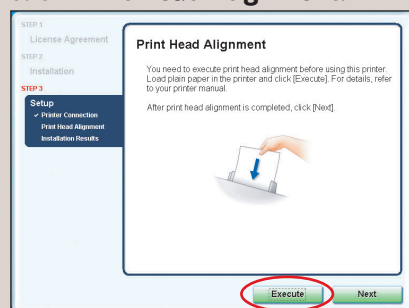
- 7 When the **Printer Connection** screen appears, ensure that the printer is connected to the computer with the USB cable, then **TURN THE PRINTER ON**. The software will begin identifying the printer port being used.



IMPORTANT: If your computer cannot detect a printer port, click **Help** and refer to the online instructions.

If a message asking for your confirmation to restart your computer appears, click **OK**. The system is restarted automatically.

- 8 When the **Print Head Alignment** screen appears, ensure that two sheets of letter size paper are loaded in the Auto Sheet Feeder (top paper feeder). Click **Execute**, read the message and click **Print Head Alignment**.



NOTE:

- Print head alignment will take about five minutes to complete. Do not start another operation here.
- Do not open the Top Cover while printing.

- 9 Print head alignment is automatically adjusted by printing the patterns below.



NOTE: Some parts of the first pattern that is printed will be faint.

- 10 After print head alignment is completed, click **Next**.


- 11 When the **Installation Results** screen appears, click **Next**.

- 12 Follow the on-screen instructions to register your product.

- 13 When the **Installation completed successfully** screen appears, click **Exit**. If **Restart** is displayed, ensure the **Restart the system now (recommended)** check box is selected, then click **Restart**.

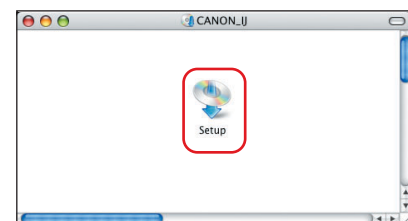
NOTE:

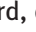
- Use Mac® OS X v.10.2.8 to 10.4.x.
- The screens below refer to Mac OS X v.10.4.x installation. Screens may differ depending on the operating system you are using.
- Before installing the driver, disable all anti-virus programs and automatically loading programs.

- 1 Turn on your Mac and your printer and insert the **Setup CD-ROM**. If the CD-ROM folder does not open automatically, double-click the  on the desktop.

NOTE: Log on as an Administrator before continuing.

- 2 Double-click the **Setup** icon.



NOTE: When the **Authenticate** screen appears, enter your administrator name and password. If you do not know your administrator name or password, click  on the lower-left corner of the screen, then follow the on-screen instructions.

- 3 When the main menu appears, click **Easy Install** and then **Install**, then follow the on-screen instructions.



NOTE:

- Select **Easy Install** in order to install the application software, on-screen manuals and printer driver. Select **Custom Install** in order to choose the options you would like to install.
- Adobe Photoshop CS, Adobe Photoshop CS2, or Digital Photo Professional must be installed to use Easy-PhotoPrint Pro.

- 4 Read the **License Agreement** and click **Yes**. Follow the on-screen instructions to install the software.

- 5 Follow the on-screen instructions to register your product.

- 6 When the **Print Head Alignment Recommended** screen appears, click **Next**.

- 7 When the **Installation completed successfully** screen appears, click **Restart**.

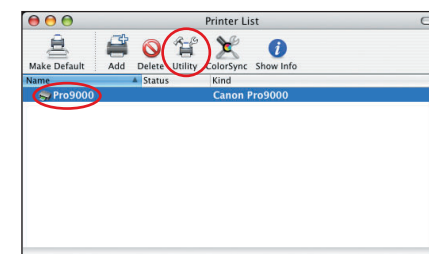


The system is restarted automatically.

- 8 Start the print head alignment procedure.

- a. After restarting the computer, select **Applications** from the **Go** menu. Double-click the **Utilities** folder, then the **Printer Setup Utility (Print Center)** when using Mac OS X v.10.2.x icon.

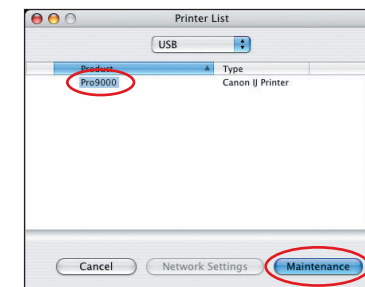
- b. When the **Printer List** screen appears, select **Pro9000**, then click **Utility (Configure)** when using Mac OS X v.10.2.x icon.



If the printer is not displayed on the **Printer List**, click **Add** to add the printer.

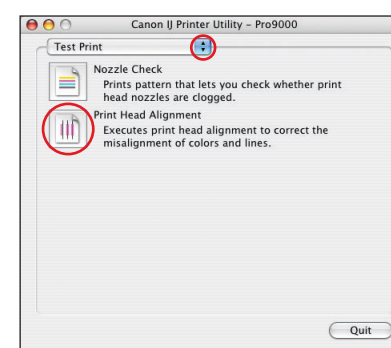
For details, follow the instructions in **Mac Help**.

- c. Select **Pro9000** and click **Maintenance**.



- d. Ensure that two sheets of letter size paper are loaded in the Auto Sheet Feeder (top paper feeder).

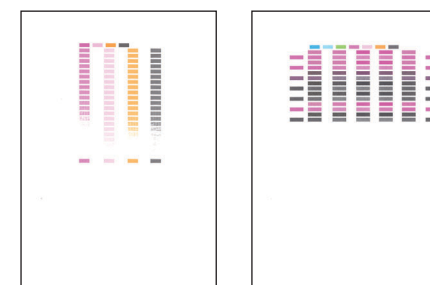
- e. Click the down-arrow to select **Test Print**. Click the **Print Head Alignment** icon and follow the on-screen instructions.



NOTE:

- Print head alignment will take about five minutes to complete. Do not start another operation here.
- Do not open the Top Cover while printing.

- 9 Print head alignment is automatically adjusted by printing the patterns below.

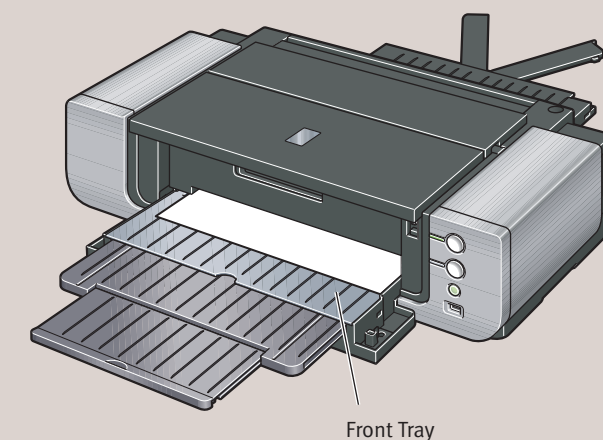


NOTE: Some parts of the first pattern that is printed will be faint.

- 10 Click **Quit** to exit the Canon IJ Printer Utility.

You can load paper in both the Auto Sheet Feeder and the Front Tray.

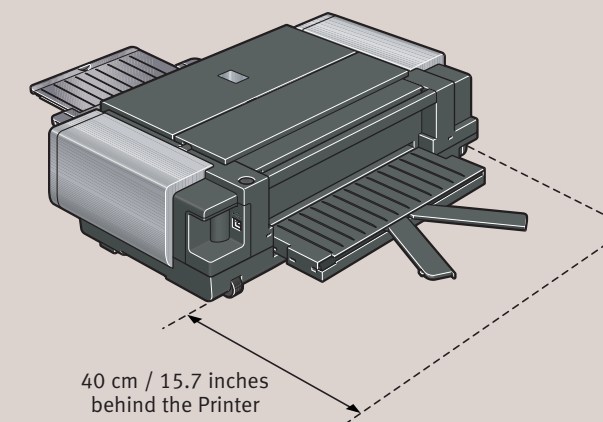
Loading paper in the Front Tray to print on large size paper or to print on thick paper such as art paper.



Front Tray

IMPORTANT:

- When loading paper in the Front Tray, the paper sticks out from the back of the printer. Keep a space of 40 cm / 15.7 inches for this purpose behind the printer.
- There are wheels on the back corners of the printer. Lift up the front of the printer to move it back and forth.



40 cm / 15.7 inches behind the Printer

NOTE: For details, refer to "Loading Paper in the Front Tray" in "Loading Paper" in the *Quick Start Guide*.