

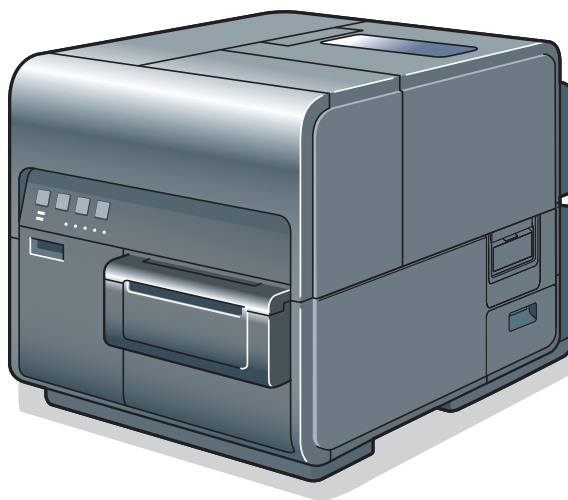
**Canon**

# LX-P5510/LX-D5500

COLOR LABEL PRINTER

---

## Getting Started Guide



### Read this guide first.

Please read this guide before operating this product.

When finished reading, store it in a safe place for future reference.

All functions of this printer are described in User's Guide.  
Please visit the following website to read User's Guide.

<https://www.usa.canon.com/internet/portal/us/home/support/>



# About Instruction Manuals

---

Thank you for purchasing the Canon LX-P5510/LX-D5500 Color Label Printer.

The following manuals come with this product.

## ● Getting Started Guide (This Manual)


- Be sure to read this manual before using this product.
- This manual contains important safety information, installation instructions and basic product information.
- Keep this manual for future reference.

## ● User's Guide

- This manual is available in PDF format and provides a detailed description of how to operate this product.
- This manual contains specific instructions on operation, daily maintenance, and troubleshooting.
- For LX-P5510  
The User's Guide can be viewed on the website shown on the front cover of this guide.  
\* The customer is responsible for the cost of internet access.
- For LX-D5500  
The User's Guide is stored on the supplied "Printer Software CD-ROM.

# Table of Contents

---

- Before You Begin . . . . . 1
  - Conventions . . . . . 1
  - Sample Screens . . . . . 1
  - Trademarks . . . . . 1
  - Abbreviations . . . . . 2
  - Important Notices . . . . . 2
  - Legal Notice . . . . . 2
-  Important Safety Instructions . . . . . 4
- Box Contents . . . . . 11
- Printer Part Names and Functions . . . . . 12
  - Front/Right Side View . . . . . 12
  - Left Side View . . . . . 13
  - Inside the Printer . . . . . 14
  - Operation Panel . . . . . 15
- Installing Software . . . . . 17
  - System Requirements . . . . . 17
  - Installing the Printer Driver . . . . . 18
  - Installing the User's Guide (LX-D5500 only) . . . . . 30
- Loading Paper . . . . . 33

# Before You Begin

---

## Conventions

The following marks are used in this manual.



Instructions that, if ignored, could result in death or serious personal injury caused by incorrect operation of the equipment. These must be observed for safe operation.



Instructions that, if ignored, could result in personal injury or material damage caused by incorrect operation of the equipment. These must be observed for safe operation.

**Important**

Instructions including important information. To avoid damage and injury or improper use of the product, be sure to read these indications.

**Note**

Instructions including notes for operation and additional explanations.



Indicates an operation that must not be performed. Read these items carefully, and make sure not to perform the described operations.

## Sample Screens

The sample LX-D5500 printer driver screens displayed in this manual were created with Windows 10.

## Trademarks

- Canon and the Canon logo are trademarks of Canon Inc.
- Microsoft and Windows are trademarks or registered trademarks of Microsoft Corporation in the United States and/or other countries.
- QR code is trademark of Denso Wave Inc.
- Other brand and product names may be trademarks or registered trademarks of their respective companies.

## Abbreviations

Throughout this manual the following abbreviations are used in text.

- Microsoft Windows 11 is abbreviated as "Windows 11"
- Microsoft Windows 10 is abbreviated as "Windows 10"
- Microsoft Windows 8.1 is abbreviated as "Windows 8.1"
- Microsoft Windows 7 SP1 is abbreviated as "Windows 7"
- Microsoft Windows is abbreviated as "Windows"

## Important Notices

- Copying this manual or any part of this manual without permission is strictly forbidden.
- The specifications for this printer and software provided with the printer are subject to change without prior notice.
- We have done our best to make this manual as complete and accurate as possible, and we ask you to contact your place of purchase. If you find any omissions or mistakes in this manual.
- We can accept no responsibility for loss or damages resulting from the use of this printer or its software; please accept this before you use the printer.

## Legal Notice

### ■ Legal Limitations on the Usage of Your Product and the Use of Images

- It is illegal to reproduce currency, bills, negotiable securities and other documents prohibited by law. Reproduction of such items may be subject to criminal prosecution.
- It is illegal to reproduce legal certificates, licenses, and certain public and private documents prohibited from reproduction by law. Reproduction of such items may be subject to criminal prosecution.
- Please note that intellectual property protected by copyright may not be reproduced without the express permission of the copyright holder except for personal or household use under limited circumstances.

### ■ Product Name

LX-P5510

LX-D5500

## Before You Begin

---

### ■ FCC (Federal Communications Commission)

#### Users in the U.S.A.

This device complies with Part 15 of the FCC Rules. Operation is subject to the following two conditions: (1) This device may not cause harmful interference, and (2) this device must accept any interference received, including interference that may cause undesired operation.

#### NOTE:

This equipment has been tested and found to comply with the limits for a Class B digital device, pursuant to part 15 of the FCC rules. These limits are designed to provide reasonable protection against harmful interference in a residential installation. This equipment generates, uses and can radiate radio frequency energy and, if not installed and used in accordance with the instructions, may cause harmful interference to radio communications.

However, there is no guarantee that interference will not occur in a particular installation. If this equipment does cause harmful interference to radio or television reception, which can be determined by turning the equipment off and on, the user is encouraged to try to correct the interference by one or more of the following measures:

- Reorient or relocate the receiving antenna.
- Increase the separation between the equipment and receiver.
- Connect the equipment into an outlet on a circuit different from that to which the receiver is connected.
- Consult the dealer or an experienced radio/TV technician for help.

Use of shielded cable is required to comply with class B limits in Subpart B of Part 15 of FCC Rules. Do not make any changes or modifications to the equipment unless otherwise specified in the manual. If such changes or modifications should be made, you could be required to stop operation of the equipment.

CANON U.S.A., INC.

One Canon Park, Melville, NY 11747, U.S.A.

TEL No. 1-855-852-2666

### ■ Battery Regulation for CA, USA

For CA, USA Only

Included battery contains Perchlorate

Material ---- special handling may apply.

See

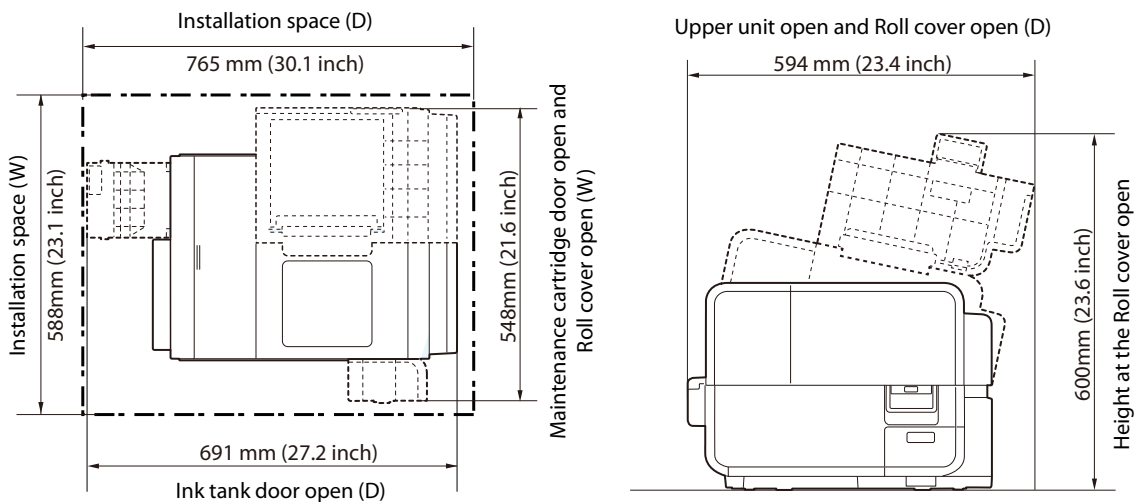
<http://www.dtsc.ca.gov/hazardouswaste/perchlorate/>  
for detail.

# Important Safety Instructions

Prior to using this printer, please read this section ("Important Safety Instructions") thoroughly. Warnings and important matters are described here to ensure safe use of the product. Do not attempt to operate this printer in any way other than those mentioned in the manual.

## ■ Installation

- Make sure that there is sufficient space around the printer.



## Warning

- Do not place the following objects on the printer:
  - Necklaces and other metal objects
  - Cups, vases, flowerpots, and other containers filled with water or liquids

If such an object is brought into contact with the electrical parts inside the printer, this could cause a fire or electric shock. If an object enters the inside of the printer, turn the printer off immediately, disconnect the power plug from the power outlet and contact your place of purchase.

- The electrical contacts inside the printer become extremely hot during normal operation. To avoid causing a fire, do not store flammable substances like alcohol, thinner, etc. near the printer.

## Caution

- Do not install the printer in the following locations. If the printer is not installed in the proper location, a fire or electric shock could occur.

## Important Safety Instructions

---

- A damp or dusty location.
  - A location exposed to oily smoke or steam; e.g., near a countertop or humidifier.
  - A location exposed to rain or snow.
  - A location exposed to salty wind.
  - A location subject to high temperatures.
  - A location near open flames.
- Do not place the printer in an unstable location; e.g., on a wobbling or inclined table, or a location subject to frequent vibrations. The printer could fall down or fall over, resulting in personal injury.
  - Never place the printer where it will be exposed to rapid changes in temperature, such as indirect sunlight, near an air conditioner, or in a car on a hot day. This could cause a fire or damage to the printer.

### **Important**

- Use the printer in the following operating environment:  
Operating environment: 15 to 30 degrees Celsius (59 to 86 degrees Fahrenheit)  
RH 10% to 80% (with no condensation)
- If the printer is carried into a warm room on a cold day, this could cause condensation inside the printer. If this happens, allow the printer to sit for at least 1 hour at room temperature to adapt to the ambient temperature and humidity.
- Do not install under strong light. This could cause a malfunction.
- To ensure normal operation of the printer and avoid possible damage, do not install the printer near large office equipment or any other type of electrical device that emits a strong magnetic field.

## ■ Power Supply

### **Warning**

- Do not use any power cord other than those supplied with the printer. This could cause a fire or electric shock.
- Do not bring the power cord near a heating appliance. This could melt the cable sheath and cause a fire or electric shock.
- Do not use an extension cord. This could cause a fire or electric shock.
- To avoid causing a fire or serious electric shock, connect the printer power cord to an independent power outlet that is not shared by other equipment or appliances.
- To avoid causing a fire or serious electric shock, make sure that the power plug is securely and



completely inserted into the power outlet.

- Do not damage, break, or modify the power cord. Do not place a heavy object on, heat, or pull the AC cord. This could cause power leakage from the damaged portion, resulting in a fire or electric shock.
- To avoid personal injury from an electric shock, do not handle the power cord or plug when your hands are wet.
- To avoid a fire or serious electric shock, never knot the power cord or wrap it around itself.
- Disconnect the printer power cord during severe electrical storms. Lightning could cause a fire or severe electric shock or damage to the printer.

### **Caution**

- To avoid damaging the power plug, which could cause a short circuit and cause a fire or electric shock, do not pull on the power cord to unplug the cord from the power supply. Always grip the plug to remove it from the power supply.
- Never block the ventilation ports on the printer. A blocked ventilation port could cause heat to build up inside the printer and cause a fire.
- Always keep the area around the power plug free of obstacles so you can unplug it easily. This allows you to unplug the power cord quickly in an emergency.
- Do not use any power outlet other than the one rated for the printer. This printer is designed to be used in the region where you purchased it. Also, make sure that the power outlet can supply sufficient power for the printer. This could cause a fire or serious electric shock, or damage the printer.

### **Handling**

#### **Warning**

- If you find a large ink leak, turn the printer off immediately, disconnect the power plug from the power source, and call your place of purchase. If you continue to use the printer, this could cause a fire or serious electric shock.
- There are high voltage points inside the printer. To avoid a fire or electric shock, do not attempt to disassemble or repair the printer.
- Do not insert any metal objects into the printer. Also, do not let a metallic piece (clip, staple, etc.), or water and a flammable solvent (alcohol, benzene, thinner, etc.) into the printer. If it is brought into contact with the electric parts inside the printer, a fire or electric shock could result. If an object enters inside of the printer, turn the printer off immediately, disconnect the power plug from the

## Important Safety Instructions

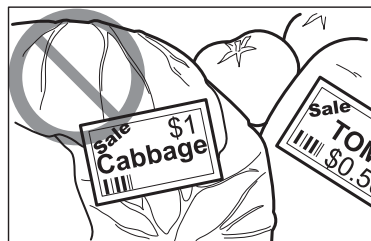
---

power outlet and contact your place of purchase.

- When abnormal sound, smoke, excessive heat or strange odor is detected, turn the printer off immediately, disconnect the power plug from the power outlet and contact your place of purchase. Using the printer continuously could cause a fire or electric shock. Do not attempt to repair the printer by yourself. This could cause a fire or serious electric shock.
- Do not use a flammable spray near the printer. If the sprayed gas is brought into contact with the electric parts inside the printer, a fire or electric shock could result.

### **Caution**

- If the printer is dropped and damaged, turn the printer off immediately, disconnect the power plug from the power outlet, and contact your place of purchase. If you continue to use the printer, this could cause a fire or serious electric shock.
- If the printer will not be used for a long period of time, for your safety disconnect the power cord from the power outlet.
- Do not place a heavy object on the printer. It could fall down or fall over, resulting in personal injury.
- It is dangerous to put your fingers deep inside the ink tank boxes. There are pin-sharp parts which may hurt you or alternatively you may cause damage that will lead to breakdown.
- Keep the power cord, cables, gears, belts, rollers, and electric parts inside the printer out of the reach of children. Otherwise, a personal injury or printer failure could result.
- Do not directly paste labels printed with this printer onto fruits and vegetables. When pasting labels on food products, paste them onto wrap or other packaging.















### **Important**

- To prevent machine failures, do not open the ink tank door or maintenance cartridge door, do not turn the printer off, and do not remove the power plug from the outlet while the printer is printing. If you do so, the print head protection function is not performed properly, resulting in a machine failure or ink leakage which can stain your clothes and the surrounding area.
- Do not apply excessive force to the upper unit. Doing so can result in a machine failure or impair print quality. Be sure to open/ close the upper unit slowly.
- Do not place the printer close to TV, radio receiver or loudspeakers, etc. The magnetic field produced may cause the printer to malfunction, or the printer may interfere with TV/radio reception.

- Printed labels may get discolored by ultraviolet light or ozone.

### ■ Safety-Related Symbols

-  Power switch: "ON" position
-  Power switch: "OFF" position
-  Power switch: "STANDBY" position
-  Push-push switch  "ON"  "OFF"
-  Protective earthing terminal
-  Dangerous voltage inside. Do not open covers other than instructed.
-  CAUTION: Hot surface. Do not touch.
-  Class II equipment
-  Moving parts: Keep body parts away from moving parts
-  There are sharp edges. Keep body parts away from sharp edges.

NOTE:

Some of symbols shown above may not be affixed depending on the product.

### ■ Moving

#### **Warning**

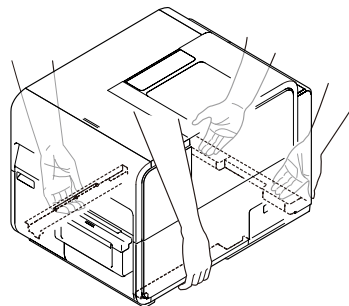
- Call your place of purchase for advice before you ship the printer a long distance or move the printer by car or truck where it may be subjected to shock and vibration. Moving the printer without the proper preparation could damage the printer and cause a fire.

## Important Safety Instructions

---

### **Caution**

- Before you move the printer to another location within the same building, disconnect the power cord and make sure that all other cables are disconnected. Moving the printer without doing so could damage the power cord or the cables and cause a fire or electric shock.
- Be sure to lift the printer with 2 people, grasping the handles located on the base from both sides, in a firm embrace. Lifting the printer in an abnormal fashion or by a single person can result in injury by dropping it.
- Always hold the printer level and carry it slowly. If ink is spilled inside the printer while moving it, this could cause a fire or serious electric shock or damage the printer.



- Before moving or shipping the printer, be sure to execute [Moving The Printer] or [Shipping The Printer] from the printer driver. Also when shipping the printer, set the protectors. Moving or shipping the printer without taking necessary measures could cause ink leak inside the printer, resulting in a fire, electric shock, or printer failure.

### **Important**

- To prevent machine failures, do not relocate or transport this printer with the upper unit open.

## ■ Maintenance and Inspections

### **Warning**

- To avoid a fire hazard, occasionally disconnect the power cord from the printer and the power supply and use a soft dry cloth to clean the cord connectors and the connection points. Leaving the cord plugged in and not cleaned for a long period, especially in an area subject to dust, oil, and high humidity, could cause the insulation material to deteriorate.
- When cleaning the printer, do not use a flammable solvent (alcohol, thinner, etc.). If a flammable solvent is brought into contact with the parts inside the printer, a fire or electric shock could result.
- Check the power cord and power plug regularly. If the following conditions occur, contact your place of purchase, as the condition may cause a fire:
  - There are burn marks on the power plug.
  - The blade on the power plug is deformed or broken.

- The power goes OFF and ON when the power cord is bent.
- There are cuts, cracks, or indentations on the power cord.
- The power cord becomes hot.
- Check the power cord and power plug regularly to make sure that they are not handled in the following manner, as this may result in a fire or electric shock:
  - The connection part of the power plug is loose.
  - The power cord is under a heavy object.
  - The power cord is subjected to stress, for example, it is pulled excessively or secured with staples.
  - The power plug is loose.
  - The power cord is tied in a bundle.
  - The power cord protrudes into a walkway.
  - The power cord is placed in front of heating appliance.

### **Caution**

- Before cleaning the printer, be sure to turn it off and remove the power plug from the power outlet. Otherwise, a fire or electric shock could result.

## ■ Ink Tank and the Maintenance Cartridge

### **Caution**

- Always store these items out of the reach of small children. This prevents accidents. If a child accidentally swallows ink, seek medical attention immediately.
- If ink gets into your eyes, wash it out with flowing water immediately. If irritation persists, consult a physician.
- If ink comes into contact with your skin, rinse it off with flowing water immediately. If irritation persists, consult a physician.
- Do not attempt to disassemble or modify the ink tanks.

### **Important**

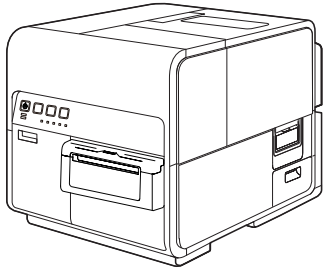
- Never drop or apply excessive force to an ink tank or the maintenance cartridge. Ink can stain clothing and the work area.
- Do not install or remove the ink tank or maintenance cartridge unless it needs to be replaced. Doing so can accelerate wear of the printer components.

# Box Contents

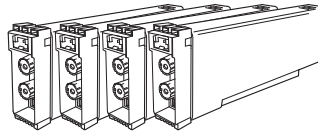
---

Check that the following items are included.

- Printer

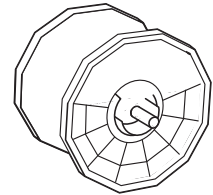


- Starter Ink Tanks \*

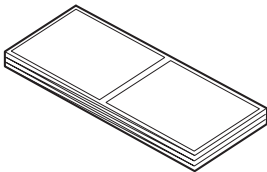


(Black, Cyan, Magenta, Yellow)

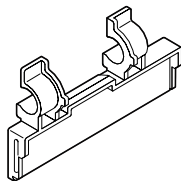
- Roll Holder



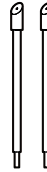
- Test Paper \*



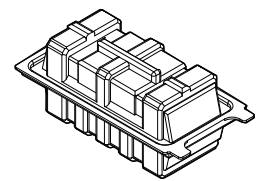
- Scraper\*  
(LX-P5510 Only)



- Cleaning Stick \*



- Printhead Unit \*



- Power Cord
- Printer Software CD-ROM (containing the printer driver and User's Guide (LX-D5500 Only))
- Getting Started Guide (this manual)
- Warranty sheet
- Installation Procedure \*
- Other documents

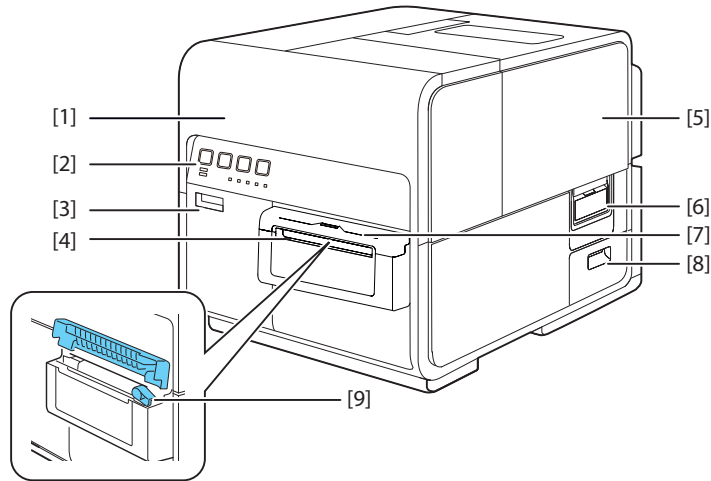
\* Keep those items untouched as technical representatives will use them at printer installation.

## Note

- USB cable and LAN cable are not included.
- Because starter ink tanks only have a small amount of ink, early purchase of replacement ink tanks is recommended.

# Printer Part Names and Functions

## Front/Right Side View



**[1] Upper unit**

Open this unit when setting paper, removing paper jammed in the paper feed path, or cleaning inside of the machine. The upper unit holds the printhead.

**[2] Operation panel (→ P.15)**

Keys necessary for operation and lamps to indicate the state of printer are provided on this panel.

**[3] Ink tank door**

Open this door when replacing ink tanks or opening the upper unit.

**[4] Paper delivery slot**

Printed paper is delivered through this slot.

**[5] Roll cover**

This cover protects the roll paper feeder.

**[6] Roll cover handle**

Use this handle to open the roll cover.

**[7] Cutter cover**

When using the manual cutter, open this cover.

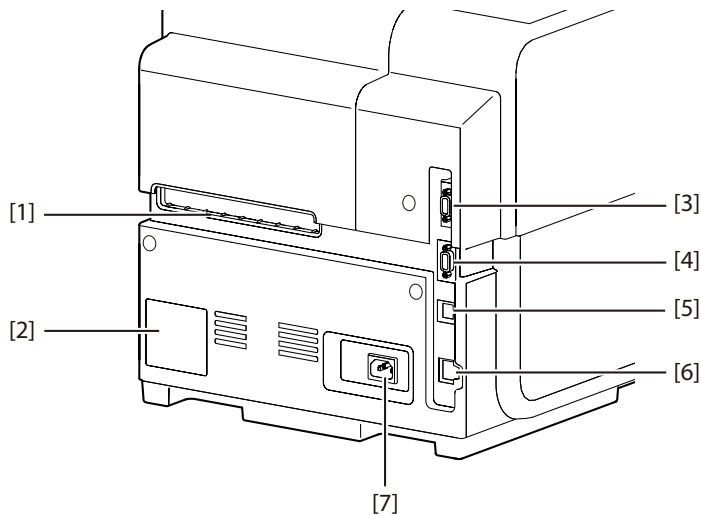
**[8] Maintenance cartridge door**

Open this door when replacing the maintenance cartridge.

**[9] Manual cutter**

Use this cutter to cut the ejected paper manually.

### Left Side View



**[1] Rear feeder slot**

This slot is used to feed fanfold paper.

**[2] Rating plate**

A serial number for identifying the printer is shown on this plate.

(The serial number is required when you contact customer support or require any sort of printer repairs.)

**[3] RS232C port**

Connect a barcode reader to this port.

**[4] RS232C port**

This is an extended interface for connecting an external unit.

**[5] USB port**

Connect a USB cable here to connect to the computer.

**[6] LAN port**

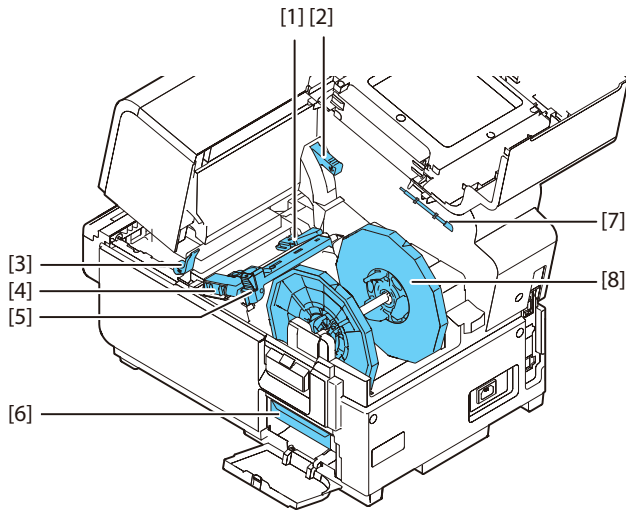
Connect a LAN cable here to connect to the computer.

**[7] Power socket**

Connect the power cord here.



## Inside the Printer



**[1] Transport guide (Left)**

This is a fixed guide for transporting paper straight.

**[2] Upper unit open lever**

Opens the upper unit.

**[3] Jam release lever**

Pull down this lever when paper is jammed.

**[4] Transport guide (Right)**

This guide is used to transport paper straight and detect the width of paper.

**[5] Paper guide**

This guide prevents paper from floating.

**[6] Maintenance cartridge**

Ink used to clean the print head is collected here.

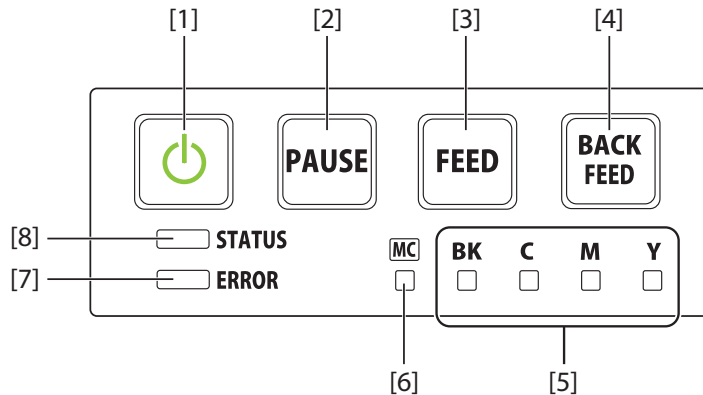
**[7] Cleaning stick**

Use this cleaning stick when cleaning the transport section.

**[8] Roll holder**

This holder is used to set paper.

# Operation Panel



### [1] Power key/lamp

Press this key to turn on/off the printer.  
This lamp lights up or blinks depending on the power supply status.

On: The printer is powered.

Blink: The printer is in sleep mode (power-saving mode).

Off: The printer is not powered.

### [2] Pause key

Pressing this key suspends printing.  
Pressing this key restarts printing.

### [3] FEED key

Press to feed paper by 1 page. Pressing and holding this key continuously feeds paper.

### [4] BACK FEED key

Pressing this key feeds paper one page backward. Pressing and holding this key continuously feeds the paper backwards. The possible back feed length is 300 mm (11.81 inch) or less (accumulated total) \*.

\* When the auto cutter is installed, it is 330 mm (12.99 inch) or less (accumulated total).

### [5] Ink warning lamp (Bk/C/M/Y)

These lamps indicate the remaining amounts of Black (Bk), Cyan (C), Magenta (M) and Yellow (Y) inks.

Lit: There is no ink available for printing or the ink tank is faulty.

Blink: The ink tank is low.

Off: The ink tank is full.

### [6] Maintenance cartridge warning lamp

This lamp lights up or blinks when there remains a small or no maintenance cartridge space to collect ink.

Lit: The maintenance cartridge is full or faulty.

Blink: The maintenance cartridge is running out of space.

Off: The maintenance cartridge free space.

### [7] Error lamp

Lights when an error occurs.

Lit: An operator call error has occurred.

Blink: A service call error has occurred.

### [8] Status lamp

This lamp lights up or blinks.

On: Printing from the computer is possible. (Online mode)

Blink: The printer is processing or operating (printing, cleaning, etc.)

Off: Instructions and print data cannot be received from the computer (offline mode) or Sleep mode.

#### **Important**

- Opening the ink tank door or maintenance cartridge door during printing will cause an error and suspend printing. Do not open the ink tank door or maintenance cartridge door except when replacing an ink tank or maintenance cartridge or opening/closing the upper unit.
- Never attempt to open the upper unit by force or hit the upper unit. This could damage the printer or result in poor print quality. Always open and close the upper unit slowly.

# Installing Software

---

After installing this printer at the installation site, install the printer driver in the computer.

## System Requirements

The printer driver and User's Guide require a personal computer with the following system requirements:

### ■ Operating system (OS)

#### For LX-P5510

Windows 11

Windows 10 (32bit/64bit)

#### For LX-D5500

Windows 10 (32bit/64bit)

Windows 8.1 (32bit/64bit)

Windows 7 SP1 (32bit/64bit)

### ■ Hard disk space

Printer driver: 50 MB or more

User's Guide: 10 MB or more

## Installing the Printer Driver

The printer can be connected to a computer with a USB connection or an Ethernet local area network (LAN) connection.

- To connect the printer with a USB cable, please read: [「Using the Printer via a USB Cable\(P.18\)」](#)
- To connect the printer to an Ethernet local area network, please read: [「Using the Printer via a LAN Cable\(P.23\)」](#)

### Note

- The latest printer drivers are posted at the Canon USA website. Download it at the following link:

<https://www.usa.canon.com/internet/portal/us/home/support/>

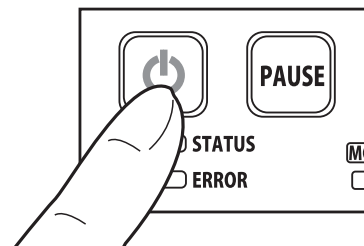
## ■ Using the Printer via a USB Cable

### Important

- This printer is USB 2.0 (High Speed) compatible.
- A USB cable does not come with this printer. Use a commercially available USB cable that is compatible with your computer.
- Do not connect the USB cable before installing the printer driver. After starting installation of the printer driver, connect the USB cable when instructed by a message shown computer screen during the printer driver installation.

### 1 Turn off the printer.

Press and hold the power key for at least 1 second.



### 2 If the printer is connected to the computer via USB cable, disconnect the USB cable.

## Installing Software

- 3 Turn the computer on and log in to the computer as the user with Administrator authority.

### Important

- System administration authority is required for printer driver installation.
- Have Anti-virus programs and other resident programs closed prior to starting the printer driver installation.

- 4 Operate the computer as follows.

- When downloading and installing the printer driver:

1. Download the printer driver on the computer.

The printer driver can be downloaded from the Canon USA web site:

<https://www.usa.canon.com/internet/portal/us/home/support/>

2. Open the decompressed file, double-click "CFSETUP.EXE".

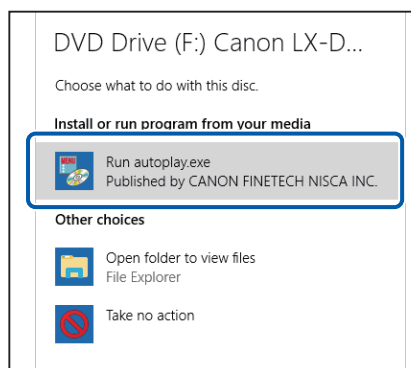
### Important

- A user account control dialog box may appear. In this case, click [Yes].

- When installing the printer driver using the supplied CD-ROM:

1. Insert the "Printer Software CD-ROM" into the computer.

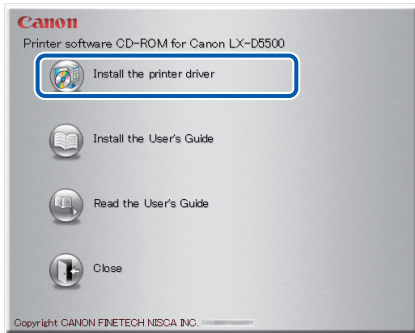
2. Click [Run autoplay.exe].



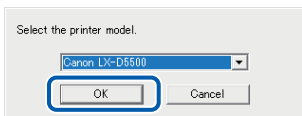
### Note

- A user account control dialog box may appear. In this case, click [Yes].
- The installation start window may not appear depending on the CD-ROM drive auto run setting. In this case, go through the following.
  1. Double-click the CD-R Drive icon in [This PC] (or [Computer]).
  2. Double-click [autoplay.exe].

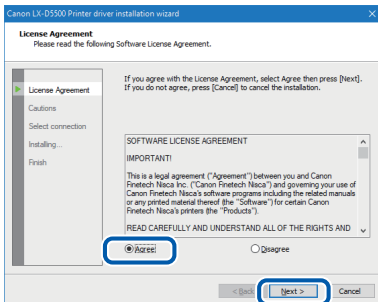
3. Click [Install the printer driver].



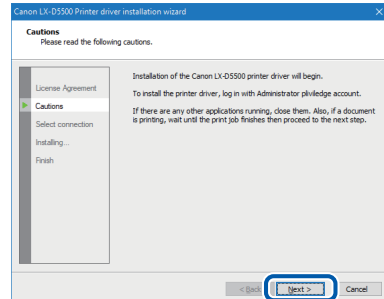
4. Confirm this printer is selected and click [OK].



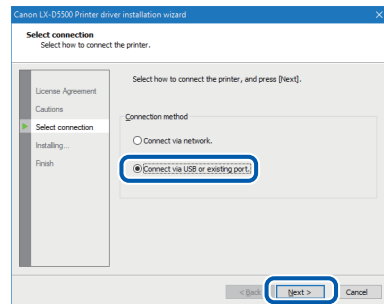
5 Read the software license agreement, select [Agree], and then click [Next].



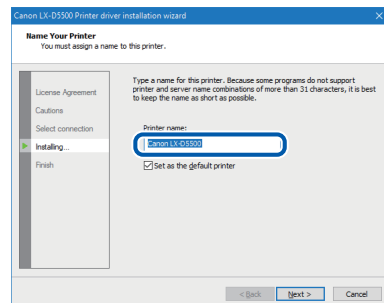
6 Read the Cautions and then click [Next].



7 Select [Connect via USB or existing port] and then click [Next].

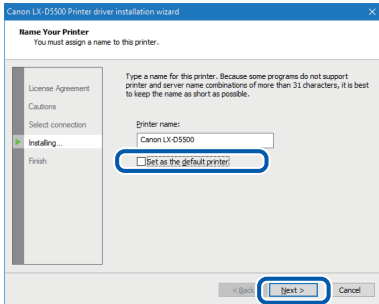


8 To change the printer name, enter a new printer name in "Printer name."

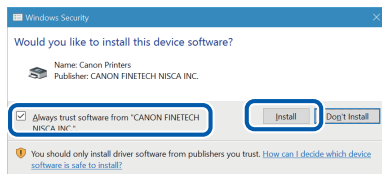


# Installing Software

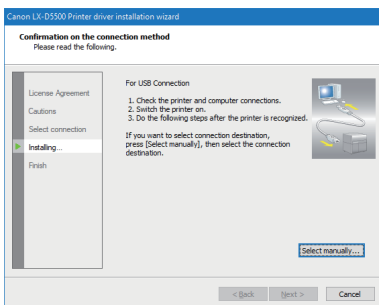
9 When this printer is not the default printer, uncheck the checkbox then click [Next].



10 Check [Always trust software from "CANON FINETECH NISCA INC."] checkbox and then click [Install].



11 When the next window is displayed, turn the printer on and connect computer and printer with USB cable.



When the printer is recognized, installation will begin.

## Note

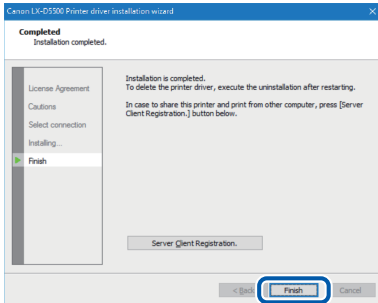
- If the computer, connected to the printer by USB cable, is linked to a network, it may take some time to recognize the printer.
- If you would like to select the connection destination by yourself, click [Select manually...] and select the connection port.

## Important

- The USB cable is hot-swappable. However, it should be noted that the USB cable should not be connected or disconnected in the following cases:
  - When the computer is being booted (before the desktop appears)
  - When the printer is printing
  - When the printer driver is being installed
- When disconnecting the USB cable with the computer or printer powered, be sure to remove the USB plug on the computer side (USB hub side) in advance. When reconnecting the USB cable, wait for at least 5 seconds after disconnecting it. If you connect the USB cable too early, the printer may malfunction.

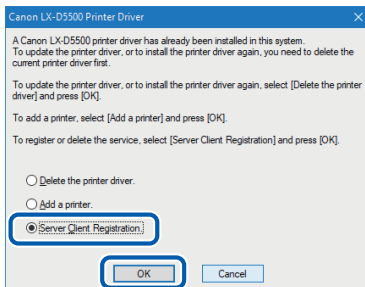


12 Click [Finish].



**Note**

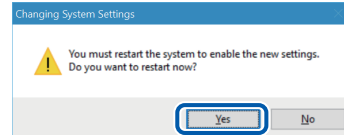
- If the printer driver was installed in a computer to be used as a print server, click [Server Client Registration].
- The server client can be registered after completion of installation of the printer driver.
  1. Run the installer according to step 4 on page 19.
  2. Select [Server Client Registration].
  3. Click [OK].



- To delete the server client registration, perform procedure above server client registration procedure. A confirmation message of the service deletion appears.

13 When the supplied CD-ROM is used, remove it.

14 Click [Yes].



Rebooting of the computer starts automatically.

**Note**

- When [No] is selected, be sure to restart Windows prior to using the printer.

Installation of the printer driver via a USB cable is completed.

## ■ Using the Printer via a LAN Cable

### Important

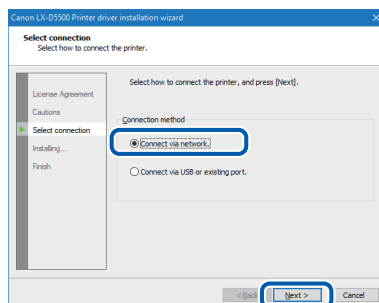
- An Ethernet cable does not come with this printer. Use a commercially available Ethernet cable that is compatible with your computer.
- Use a Category 5e or better twisted pair Ethernet cable.
- Connection to a corporate LAN must be made by a network administrator.
- If several printers will be connected to the same network, configure the printers one at a time. If several printers are turned on and configured at once, the default IP address assigned to each printer will overlap and will prevent the use of the network.

### 1 Check that the printer is powered on.

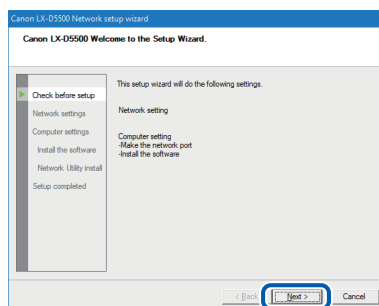
If the printer is turned off, press the power key to turn the printer on.

### 2 Go through steps 3 to 6 of the procedure for using the printer via a USB cable. (→ P.19)

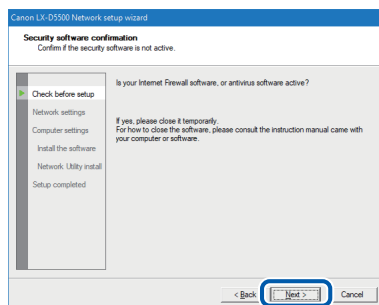
### 3 Select [Connect via network] and then click [Next].



### 4 Click [Next].



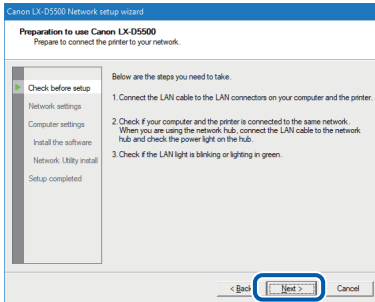
### 5 Confirm the instruction regarding the security software which is shown on the screen, and then click [Next].



### Note

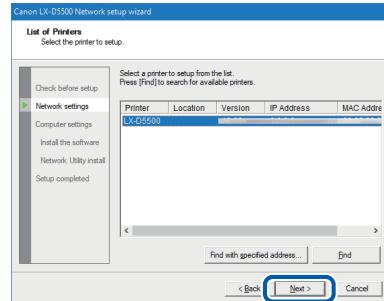
- If [Windows Firewall settings] dialog box appears, click [Yes].

6 When the below window is displayed, connect the printer to the computer with LAN cable and then click [Next].



It starts to search for this printer.

7 When the below window is displayed, select this printer and click [Next].



### Important

- If no printer name is displayed after printer search:

If no printer name is displayed after printer search, click [Find].

If no printer name is displayed again, there may be a problem in the network environment. Contact the network administrator. Possible causes are as follows:

- This printer and the computer are installed on different networks, and therefore the computer cannot find this printer.
- If the IP address necessary for network operation is not set, connection to the network could fail.

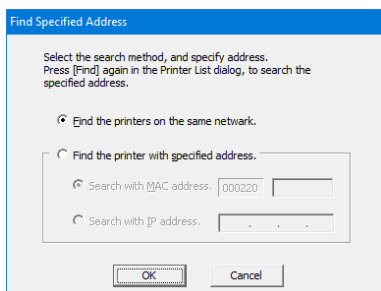
If no printer name is displayed due to the above reasons, connect this printer and the computer on the same network, and set the IP address. After setting the IP address, click [Find] again.

## Important

- To search for the printer with IP address specified:

Click [Find with specified address...] button on the screen in step 7.

Select [Find the printer specified address.] radio button on the screen that appears, and then enter MAC address or IP address. The MAC address and IP address\* can be confirmed with the output setting value. For more details, refer to "Checking Setting Values" in User's Guide.



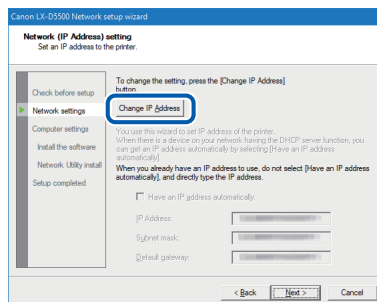
\* If the IP address is automatically assigned by a DHCP server, the IP address that is printed when the printer settings are printed and the actual IP address will be different.

## 8 Set IP address of the printer.

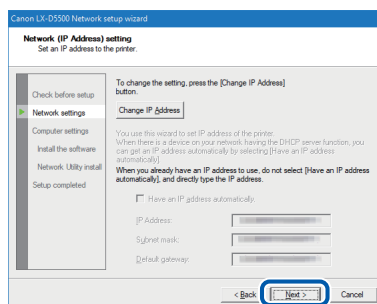
### Important

- When changing IP address, contact the network administrator.

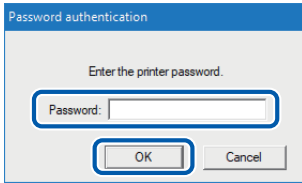
- To change IP address:  
Click [Change IP Address] to proceed to step 9.



- Not to change IP address:  
Click [Next] to proceed to step 11.



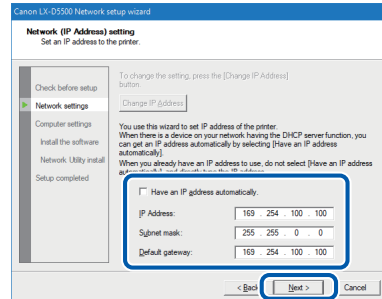
## 9 Enter the password and then click [OK].



### Important

- When changing the IP address, it is necessary to enter a password for the network setup. Contact the network administrator.
- The password can be changed with the network utility after completing of installation. (Default password: admin). For more details, refer to "About the Network Utility" in User's Guide.

## 10 Change IP address and then click [Next].



### Note

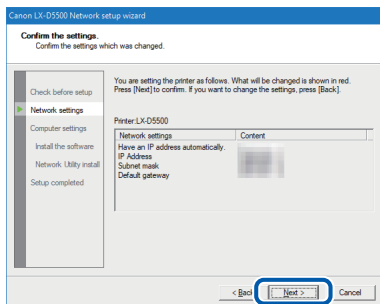
- IP address shown now is the default IP address.
- **When there is a device having DHCP server function on the network:**  
Checking "Have an IP address automatically" checkbox gets IP address automatically.

### Important

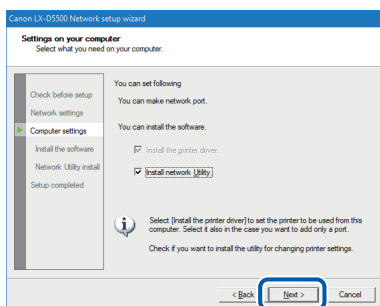
- When there is no device having DHCP server function on the network, note the following:  
If there are two or more identical printers (this printer) on the same network, IP address may be duplicated.
  - Do not check "Have an IP address automatically" checkbox.
  - Change the default IP address to an address of your choice.

# Installing Software

- 11 Confirm the network settings which are shown on the screen, and then click [Next].



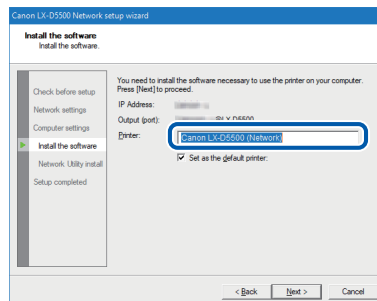
- 12 Click [Next].



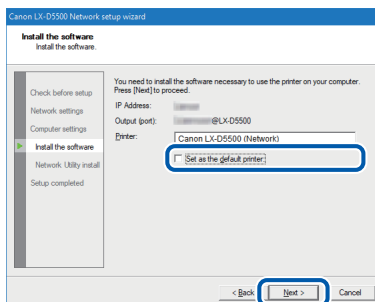
## Important

- The network utility is a tool for configuring network settings for the printer. The network utility is required when changing IP address. Be sure to install it (do not uncheck "Install network Utility" checkbox).
- For how to use the network utility, refer to "About the Network Utility" in User's Guide.

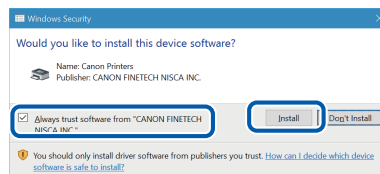
- 13 To change the printer name, enter a new printer name in "Printer name."



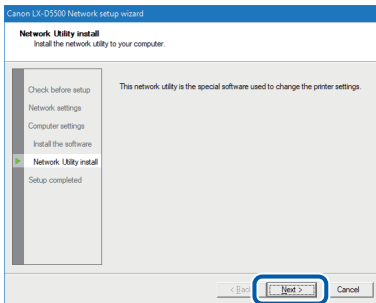
- 14 When not set as the default printer, uncheck the checkbox then click [Next].



- 15 Check [Always trust software from "CANON FINETECH NISCA INC.,"] checkbox then click [Install].

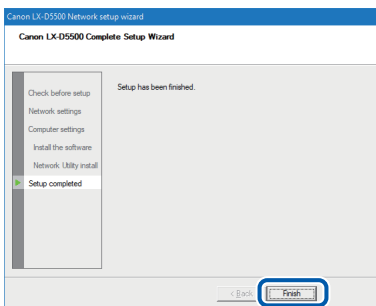


16 Click [Next].



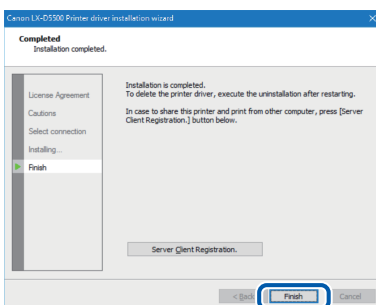
The network utility will be installed.

17 Click [Finish].



The installation of the printer driver will begin.

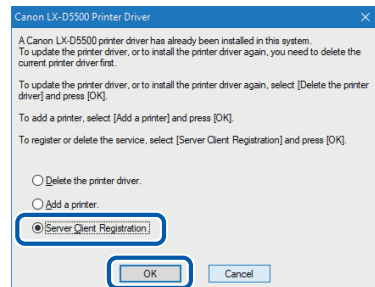
18 Click [Finish].



**Note**

- If the printer driver was installed in a computer to be used as a print server, click [Server Client Registration].
- The server client can be registered after completion of installation of the printer driver.

1. Run the installer according to step 4 on page 19.
2. Select [Server Client Registration].
3. Click [OK].



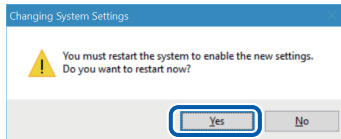
- To delete the server client registration, perform procedure above server client registration procedure. A confirmation message of the service deletion appears.

## Installing Software

---

19 When the supplied CD-ROM is used, remove it.

20 Click [Yes].



Rebooting of the computer starts automatically.

### Note

- When [No] is selected, be sure to restart Windows prior to using the printer.

Installation of the printer driver via a LAN cable is completed.



## Installing the User's Guide (LX-D5500 only)

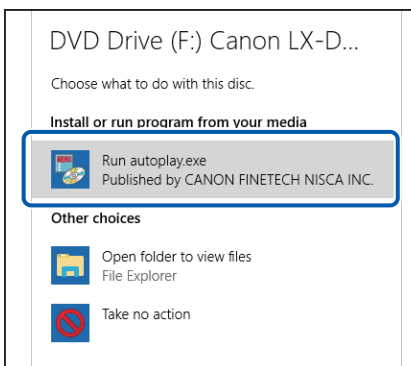
User's Guide can be read by setting the CD-ROM in the CD-ROM drive. It is useful to install the User's Guide to your computer to reference it in the future.

### Important

- System administration authority is required for printer driver installation.
- Have Anti-virus programs and other resident programs closed before starting printer driver installation.

1 Set the "Printer Software CD-ROM" in the computer.

2 Click [Run autoplay.exe].

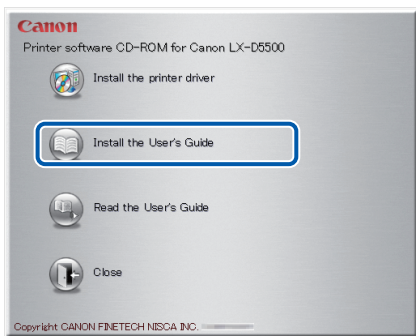


### Note

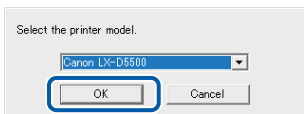
- A user account control dialog box may appear. In this case, click [Yes].
- The installation start window may not appear depending on the CD-ROM drive auto run setting. In this case, go through the following.
  1. Double-click the CD-ROM icon in [This PC] (or [Computer]).
  2. Double-click [autoplay.exe].

## Installing Software

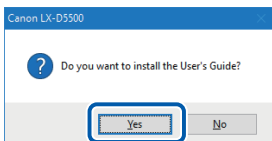
3 Click [Install the User's Guide].



4 Confirm this printer is selected and click [OK].

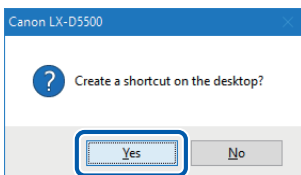


5 Click [Yes].

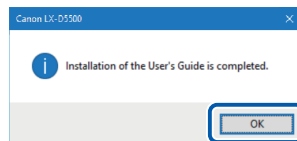


Installation of the user's guide starts.

6 To create a shortcut that opens the user's guide on the desktop, click [Yes].



7 Click [OK].



This completes the User's Guide installation.

### Note

- To read the installed User's Guide, double-click the shortcut icon created on the desktop.
- If shortcut is not created, follow the procedure below.

#### Windows 10:

From Start menu, select All apps -> Canon LX-D5500 -> Read the User's Guide.

#### Windows 8.1:

1. Move the mouse pointer to the lower right corner (or upper right corner) of the window to show the Charms bar, and click [Start].
2. On the Start screen, move the mouse pointer, and click the down arrow that appears at the bottom left of the screen.
3. From All apps, Canon LX-D5500 -> Read the User's Guide.

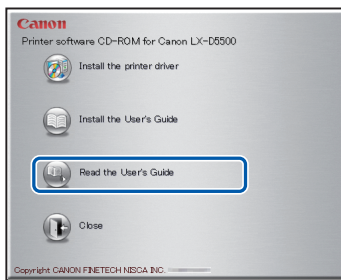
#### Windows 7:

From Start menu, select All Programs -> Canon LX-D5500 -> Read the User's Guide.

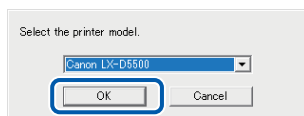
### Note

- When reading User's Guide stored on CD-ROM, follow the procedure below.

1. Start CD-ROM.
2. Click [Read the User's Guide].



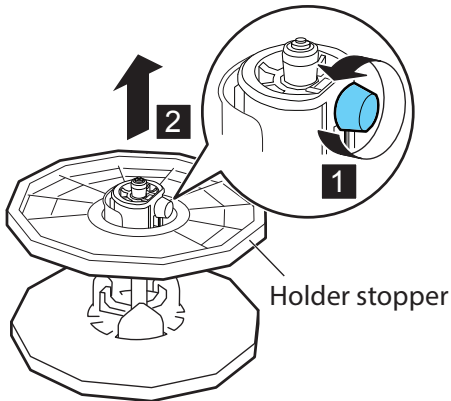
3. Confirm this printer selected and click [OK].



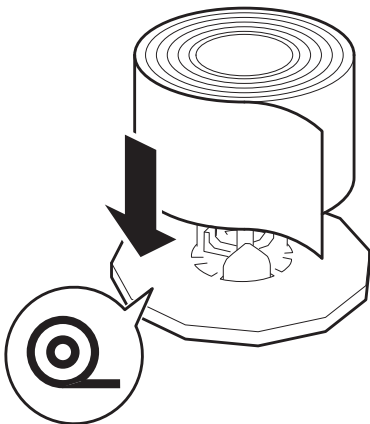
The folder containing the User's Guide appears.

# Loading Paper

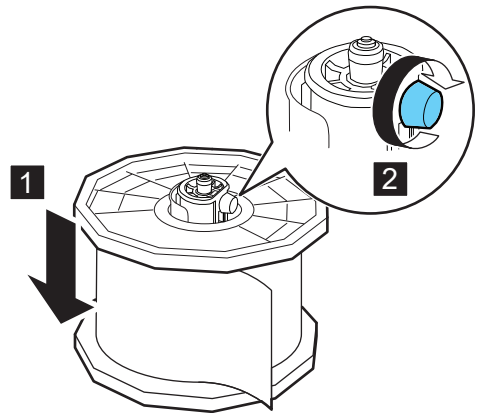
- 1 Loosen the fixing screw of holder stopper, and then remove the holder stopper.



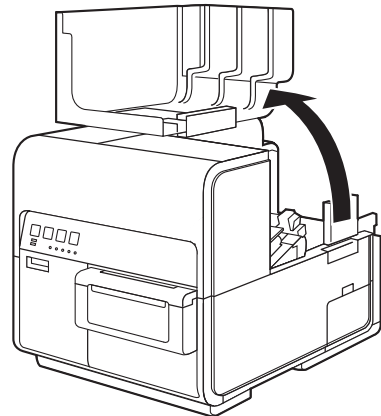
- 2 With the edge of the roll paper as shown below, insert the roll holder. Insert it firmly until the roll touches the flange of the roll holder, leaving no gap.



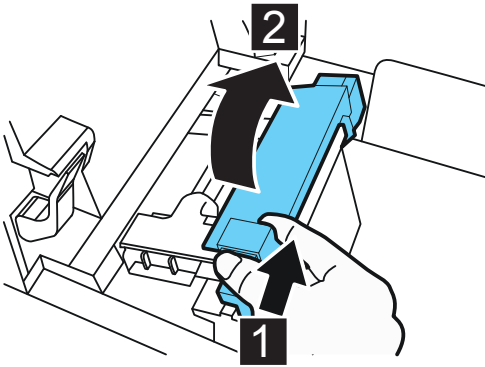
- 3 Insert the holder stopper in the roll holder, and then tighten the fixing screw while lightly pressing it against the paper.



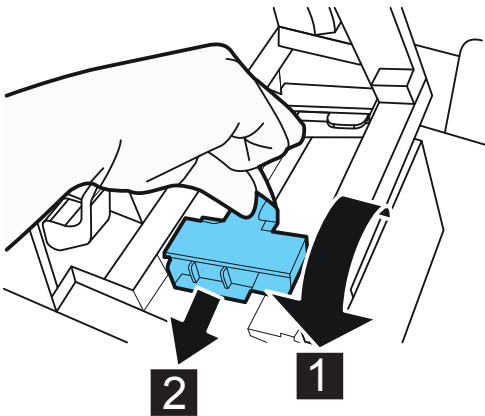
- 4 Open the roll cover.



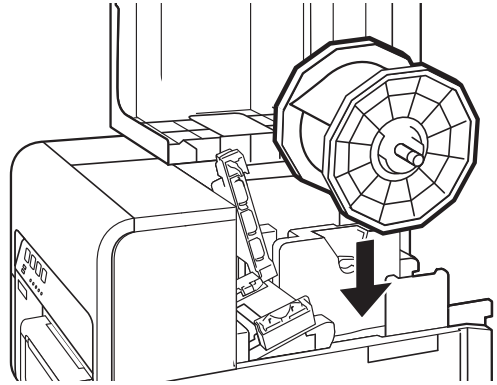
- 5 Push the lever of the paper guide to open it.



- 6 Open the transport guide (right), and slide it as shown until it stops.

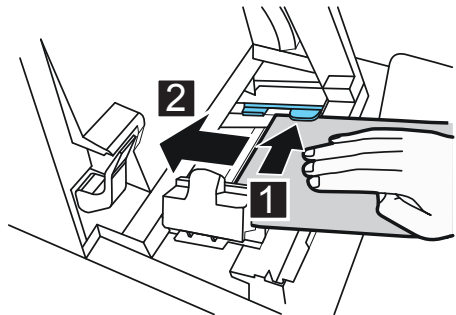


- 7 Mount the roll holder in the printer.



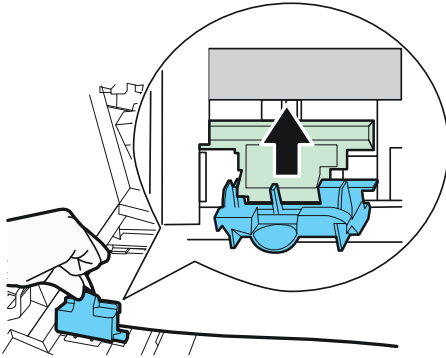
- 8 Set paper.

Insert paper along the left guide under the transport guide (left) until it stops at the roller in the feeder slot. Paper stopping at the roller in the feeder slot is automatically pulled in a little.



## Loading Paper

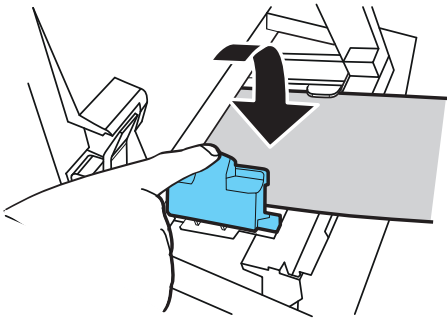
- 9 Slide the transport guide (right) in accordance with the width of paper.



### Important

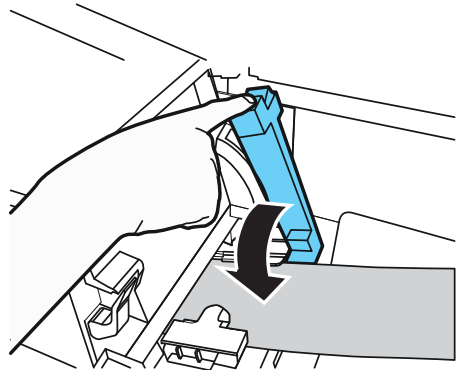
- Do not press the transport guide (right) with force against the paper edge. A paper jam can result.

- 10 Slowly close the transport guide (right) to lock it.

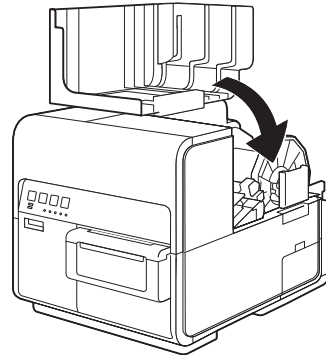


- 11 Slowly push the paper guide down until it clicks (locks).

When it locks, paper is transported automatically.



- 12 Close the roll cover.



### Important

- Be sure to close the roll cover before printing.

### Note

- If there is a large slack in the paper roll, remove the roll and tighten the paper.
- When using tag paper, do not fold perforations. Auto-cutter may cut at wrong position.

**Canon**

**CANON U.S.A., INC.**

One Canon Park, Melville, NY 11747, U.S.A.

[www.usa.canon.com](http://www.usa.canon.com)